



**METRIC**



ERGOSTYLE® ELESA Original design

- 1
- 2
- 3
- 4
- 5
- 6
- 7
- 8
- 9
- 10
- 11
- 12
- 13
- 14
- 15
- 16
- 17
- 18

**LEVER BODY**

Glass-fibre reinforced polyamide based (PA) technopolymer, RAL 5005 blue colour, matte finish.  
Produced from FDA compliant raw material (FDA CFR.21 and EU 10/2011).  
Built-in zinc alloy toothed insert for coupling to the metal clamping element.

**STANDARD EXECUTIONS**

- **ERZ-SST-VD**: AISI 303 stainless steel clamping element with threaded hole and retaining screw. AISI 302 stainless steel return spring.
- **ERZ-SST-p-VD**: AISI 303 stainless steel clamping element with threaded stud and retaining screw. AISI 302 stainless steel return spring. Retaining screw with six-lobed socket to fit TORX®.

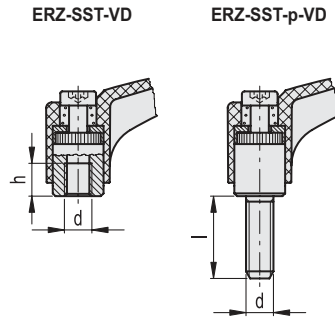
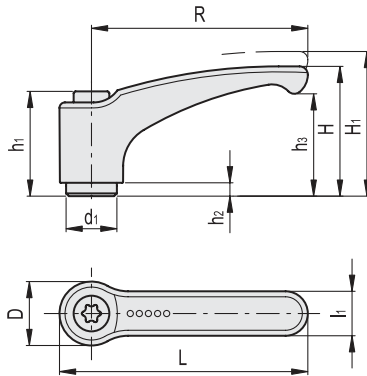
**FEATURES AND APPLICATIONS**

The RAL 5005 blue colour is easily visible in case of accidental food contamination.  
Particularly suitable for applications in the food and pharmaceutical industries.  
Particularly suitable when the lever turning angle is limited owing to lack of space.  
The metal teeth of the built-in zinc alloy insert allow the assembly of clamping elements completely made out of metal, which can be easily modified by machining in case of special assembly requirements.

**INSTRUCTIONS OF USE**

For clamping, lift the lever to disengage the clamping device teeth and bring it back to start position. By releasing the lever, the return spring automatically engages the teeth.  
If the lever cannot make a 360° rotation, the clamping element can be easily screwed by means of the six-lobed socket front head screw (after having disengaged the lever).

\* Registered trademark by TEXTRON INC.



Conversion Table	
1 mm = 0.039 inch	
R	
mm	inch
63	2.48
78	3.07

**ERZ-SST-VD**

INOX STAINLESS STEEL METRIC

Code	Description	R	d	L	D	H	H1	h	h1	h2	h3	d1	l1	Teeth no.	⚖️
193135	ERZ.63 SST-M6-VD	63	M6	72.5	19	38.5	42	10	31	3.5	30	13.5	13.5	24	36
193155	ERZ.78 SST-M8-VD	78	M8	89.5	23	45	50.5	14	36	3.5	35	16	16	26	61

**ERZ-SST-p-VD**

INOX STAINLESS STEEL METRIC

Code	Description	R	d	L	D	H	H1	h1	h2	h3	d1	l	l1	Teeth no.	⚖️
193429	ERZ.63 SST-p-M6x16-VD	63	M6	72.5	19	38.5	42	31	3.5	30	13.5	16	13.5	24	40
193433	ERZ.63 SST-p-M6x25-VD	63	M6	72.5	19	38.5	42	31	3.5	30	13.5	25	13.5	24	42
193673	ERZ.78 SST-p-M8x20-VD	78	M8	89.5	23	45	50.5	36	3.5	35	16	20	16	26	69
193679	ERZ.78 SST-p-M8x40-VD	78	M8	89.5	23	45	50.5	36	3.5	35	16	40	16	26	80

Clamping levers