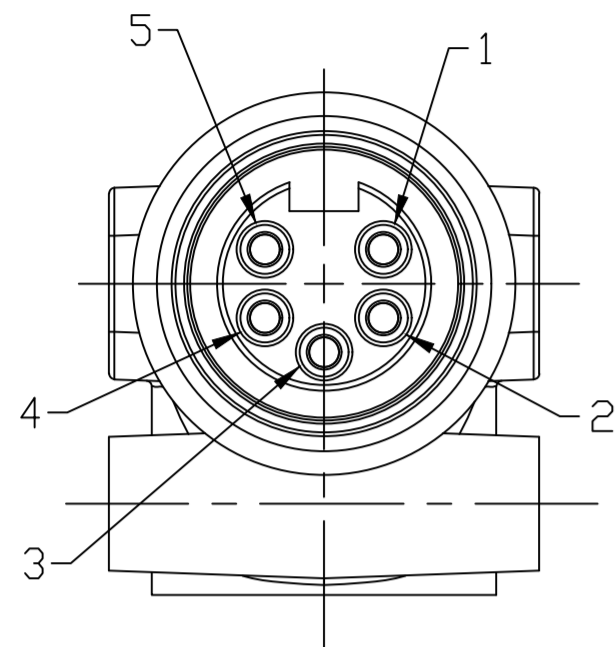
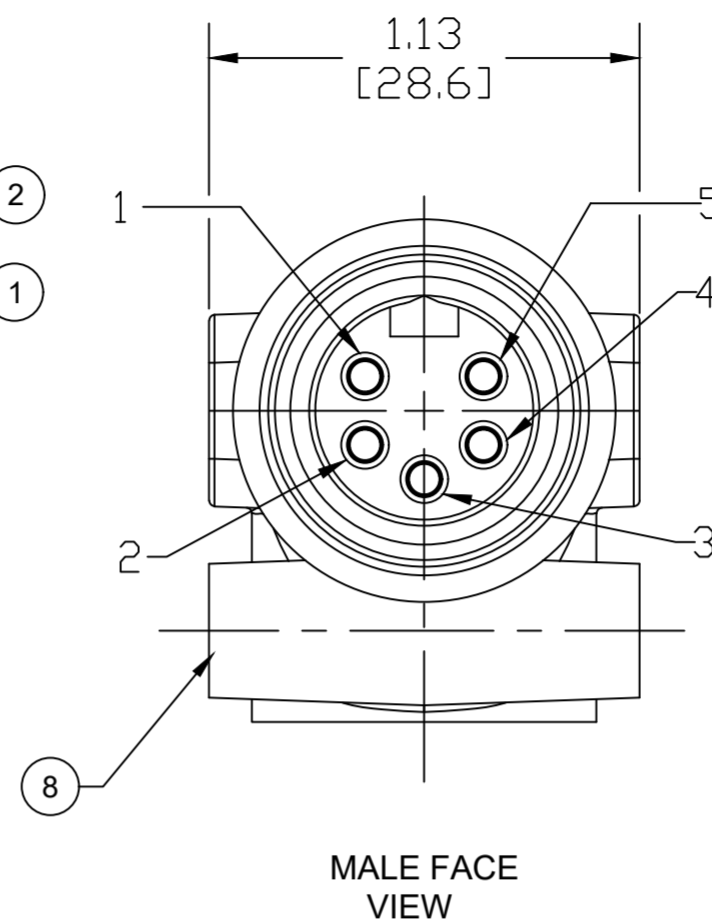
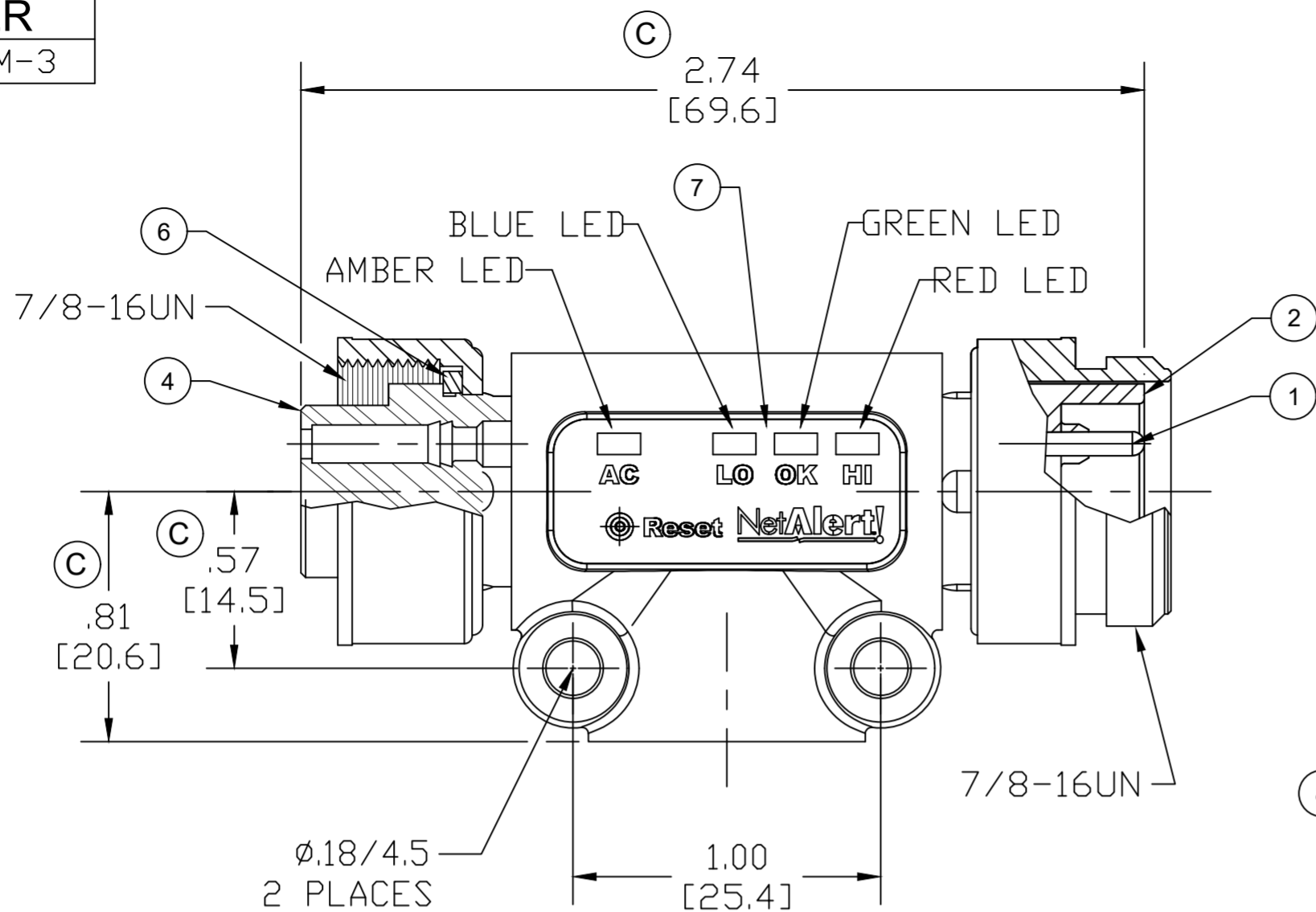


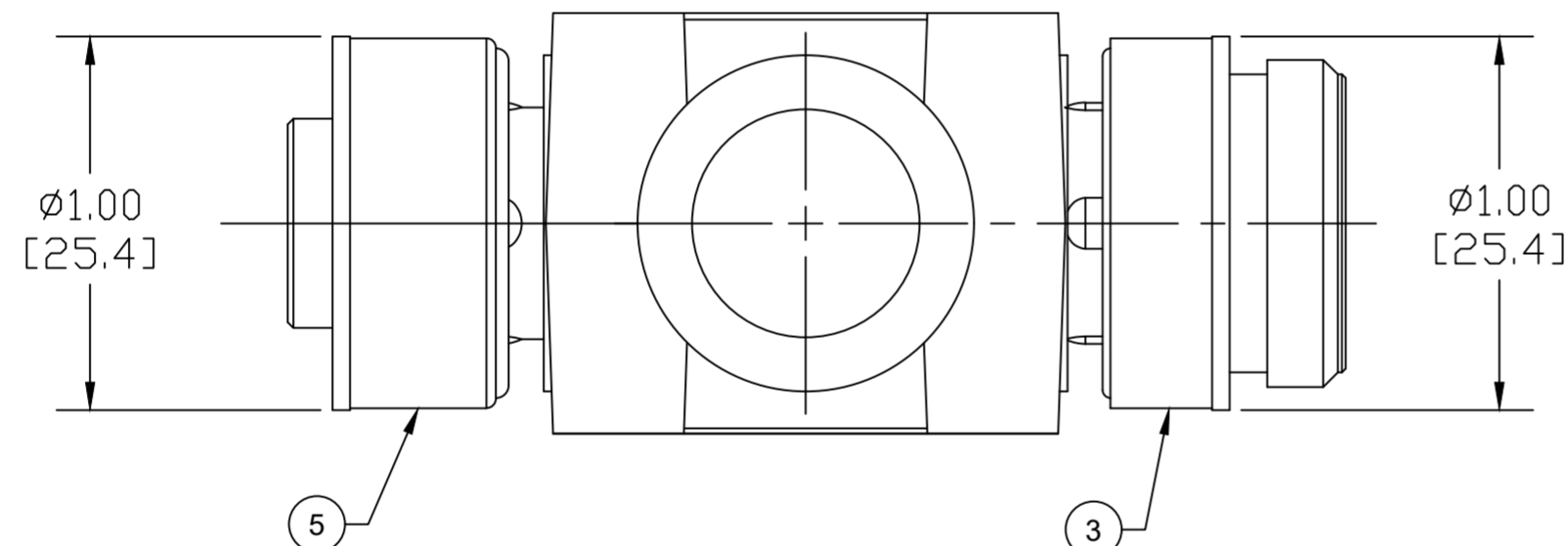
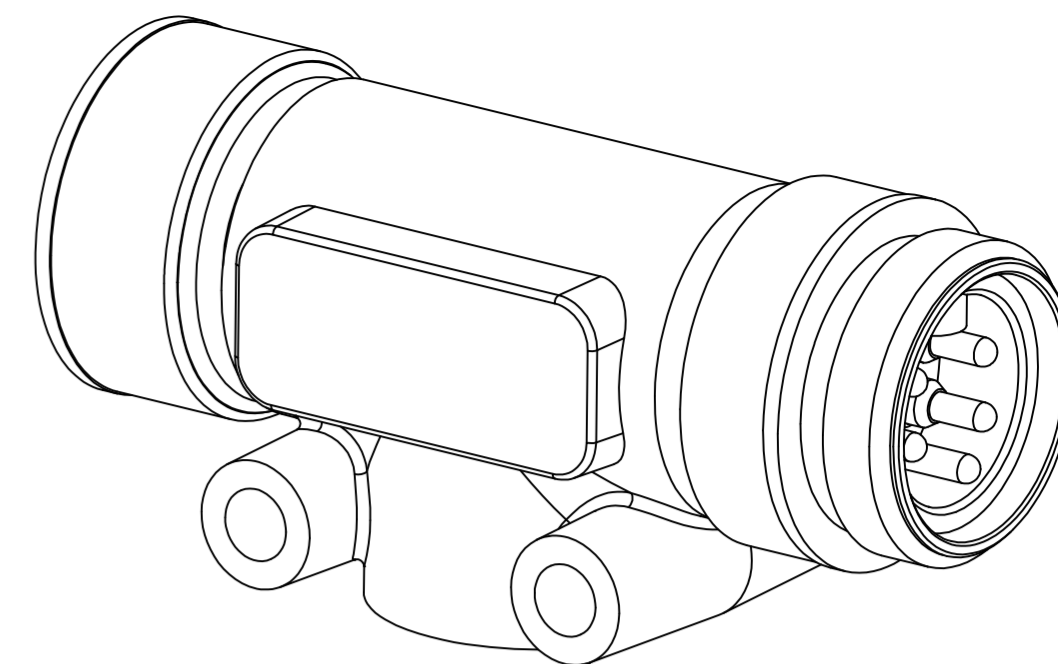
MATERIAL NUMBER	OLD PART NUMBER
130035-0008	115011A-PM-3



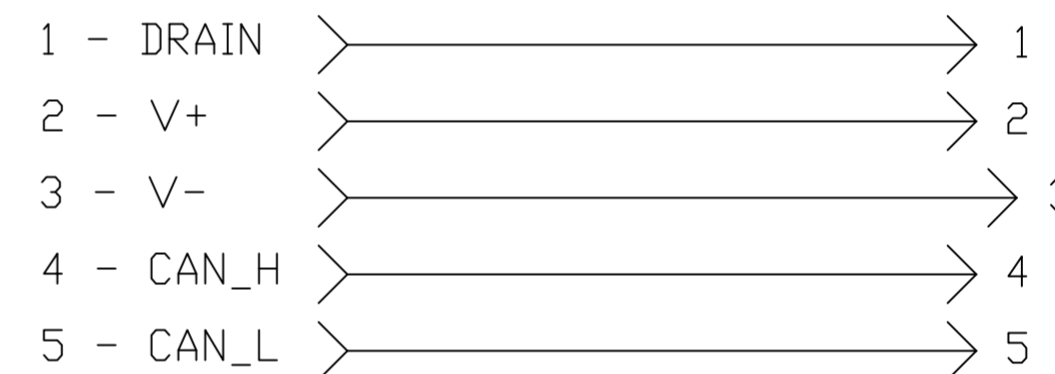
FEMALE FACE VIEW



MALE FACE VIEW



SCHEMATIC



Ⓒ

NOTES:

1. MATERIAL: AS NOTED
2. FINISH: AS NOTED
3. ELECTRICAL:
VOLTAGE: 30VDC
CURRENT: 8A
4. TEMP RATING: -20°C TO +80°C
5. PROTECTION: IP67 (WHEN MATED)
6. COUPLING THREAD: AS NOTED
7. ALL DIMS ARE FOR REFERENCE UNLESS TOLERANCED OR NOTED OTHERWISE

LED FUNCTIONALITY:

SOLID GREEN LED = BUS VOLTAGE >12.90 AND <=24.78
 FLASHING GREEN LED = BUS VOLTAGE WITHIN LIMITS OF SOLID GREEN OPERATION, BUT POWER HAS BEEN CYCLED WITHIN PREVIOUS 24 HRS
 FLICKERING RED LED = BUS VOLTAGE >24.78 (GREATER THAN 25.3 TO GUARANTEE DETECTION)
 FLASHING RED LED = BUS VOLTAGE >24.78 (25.3) WITHIN PREVIOUS 24 HRS
 FLICKERING BLUE LED = BUS VOLTAGE <12.90 (12.4)
 FLASHING BLUE LED = BUS VOLTAGE <12.90 (12.4) WITHIN PREVIOUS 24 HRS
 FLICKERING AMBER LED = BUS VOLTAGE HAS A REPEATED TRANSIENT VOLTAGE (BETWEEN 10Hz AND 250Hz) PRESENT THAT EXCEEDS THE DETECTION THRESHOLD (THRESHOLD LEVEL VARIES BY FREQUENCY)
 FLASHING AMBER LED = BUS VOLTAGE HAS EXPERIENCED A TRANSIENT OR RIPPLE AS SPECIFIED FOR FLICKERING AMBER CONDITION WITH PREVIOUS 24 HRS

ITEM	DESCRIPTION	MATERIAL	FINISH
8	OVERMOLD	TPC	GRAY
7	D-NET LENS ASSY	POLYCARB/PCB	CLEAR
6	FRICTION RING	NYLON	WHITE
5	FEMALE COUPLING	ZINC DIE-CAST	BLACK E-COAT
4	FEMALE INSERT	TPE	BLACK
3	MALE COUPLING	ZINC DIE-CAST	BLACK E-COAT
2	MALE INSERT	TPE	BLACK
1	PIN/SOCKET CONTACT	COPPER ALLOY	GOLD PLATED

Ⓒ
Ⓒ

FUNCTIONAL SYMBOLS	THIS DRAWING CONTAINS INFORMATION THAT IS PROPRIETARY TO MOLEX ELECTRONIC TECHNOLOGIES, LLC AND SHOULD NOT BE USED WITHOUT WRITTEN PERMISSION		
	DIMENSION UNITS	SCALE	CURRENT REV DESC: CHANGE BRAD LOGO TO NET-ALERT, INSERTS WERE GRAY, UPDATE BOM TABLE AND BORDER CORRECT OVERMOLD DIMS, UPDATE NOTES
DIVISIONAL SYMBOLS	INCH/MM	1:1	EC NO: 697910
	GENERAL TOLERANCES (UNLESS SPECIFIED)		DRWN: RSTONE 2022/02/25
FUNCTIONAL SYMBOLS	4 PLACES ±----	±----	CHK'D: MZIELINSKI 2022/03/15
	3 PLACES ±----	±----	APPR: BWOODMAN 2022/03/18
	2 PLACES ±----	±----	INITIAL REVISION:
	1 PLACE ±----	±----	DRWN: KJOZWIK 2010/01/19
FUNCTIONAL SYMBOLS	0 PLACES ±----	±----	APPR: JFMURPHY 2010/01/20
	ANGULAR TOL ± ---- °	THIRD ANGLE PROJECTION	DRAWING SERIES
DRAFT WHERE APPLICABLE MUST REMAIN WITHIN DIMENSIONS		C-SIZE	130035
DOCUMENT STATUS P1		RELEASE DATE 2022/03/18 22:35:37	DOCUMENT NUMBER SD-130035-010
			DOC TYPE/DOC PART/REVISION PSD 001 C
			MATERIAL NUMBER CUSTOMER SHEET NUMBER
			GENERAL MARKET 1 OF 1