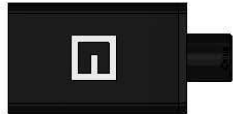
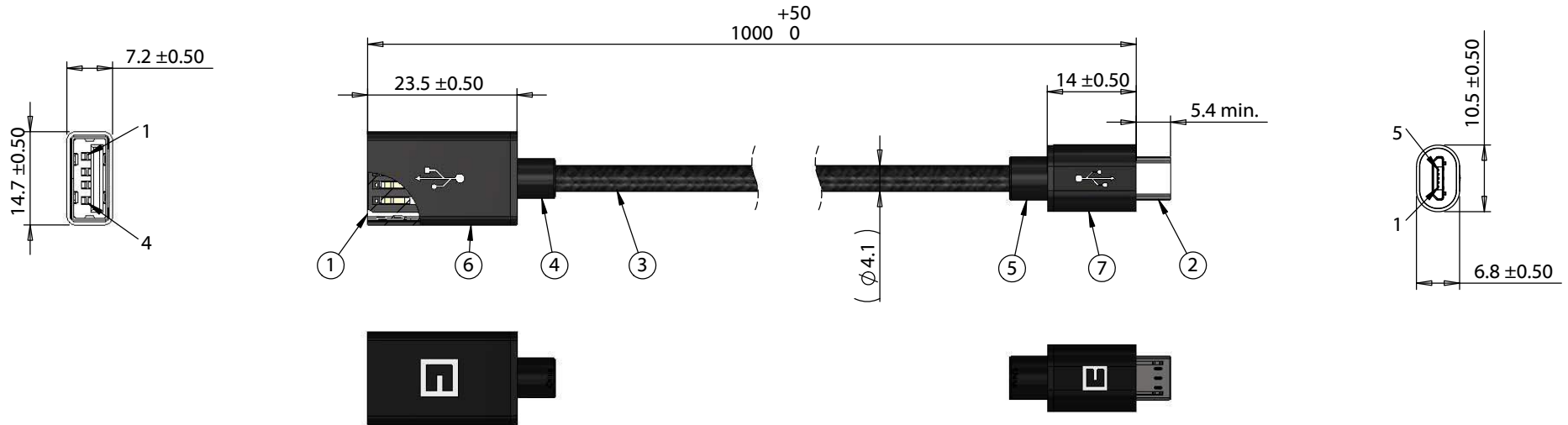


| ITEM NO. | PART NUMBER | DESCRIPTION  | QTY. | COMPONENT NOTES |
|----------|-------------|--|------|-----------------|
| 1        | 50-00576    | Connector, USB A 2.0 receptacle, molding style, 180°, nickel plated shell, black insulator           | 1    |                 |
| 2        | 50-00584    | Connector, USB B micro plug, molding style, 180°, nickel plated shell, black insulator               | 1    |                 |
| 3        | 30-01272    | Wire, 4C, 1PR + 2C, 28 AWG, UL2725, 30V, 80C, 4.1 mm, shielded, VW-1, PVC, 79A, USB 2.0, nylon braid | 1    |                 |
| 4        | 24-00217    | Overmold, jack, USB A, slim design for aluminum shell  | 1    | PVC, black      |
| 5        | 24-00317    | Overmold, plug, USB micro and mini, slim design for aluminum shell                                   | 1    | PVC, black      |
| 6        | 55-00074    | USB A jack aluminum shell, 14.7x7.2x22.5 mm  | 1    | black           |
| 7        | 55-00117    | USB mini & micro aluminum shell, 13x10.5x6.8 mm  | 1    | black           |



| Wiring diagram |                |          |
|----------------|----------------|----------|
| 50-00576       | Wire Color     | 50-00584 |
| 1              | Red            | 1        |
| 2              | White          | 2        |
| 3              | Green          | 3        |
| 4              | Black          | 5        |
| Shell          | Drain & Shield | Shell    |

**Notes:**  
Functionally equivalent components may be substituted

|           |            |                 |  |   |   |
|-----------|------------|-----------------|--|---|---|
| Revision: | Date:      | Description:    | Prepared:  | Notes:  | <h1>TENSILITY</h1><br>tel 1.541.323.3228 800 877.670.7118<br>fax 1.541.323.4202 web tensility.com |
| A         | 08/12/2019 | Initial Release | PS<br><small>Digitally signed by PS<br/>Date: 2019.08.12<br/>16:22:27 -07'00'</small>            |   |   |
|           |            |                 | Verified:  | Function test: no open, no short circuit, no intermittent                                     | Size: Part number:<br>A 10-03395  |
|           |            |                 | AW<br><small>Digitally signed by AW<br/>Date: 2019.08.13<br/>09:12:08 -07'00'</small>            | Description:  |   |
|           |            |                 | Dimensions are in millimeters.<br>Tolerances:<br>X: ± 0.5 mm<br>X.X: ± 0.3 mm<br>X.XX: ± 0.05 mm | Cable, 1000 mm, 50-00576 USB A receptacle to 50-00584 USB B micro plug, 28 AWG, nylon braided | Scale: 1:1  |
|           |            |                 |  |   | Sheet 1 of 1  |

5

4

3

2

1