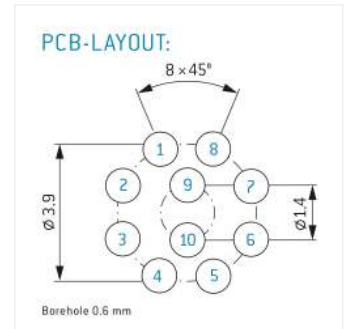
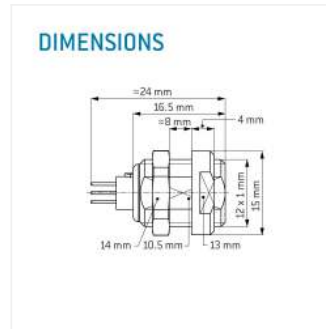
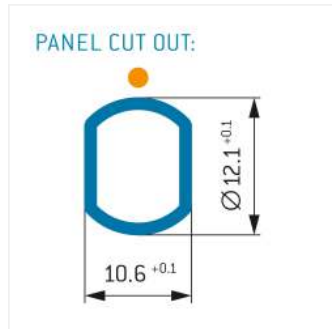


General information

|                   |                     |
|-------------------|---------------------|
| Part number       | G51LFC-P10QC00-0000 |
| Termination       | pcb                 |
| Size              | 1                   |
| Locking principle | break , push        |
| Coding            | f_key               |



Contact insert description

|                      |         |
|----------------------|---------|
| Number of contacts   | 10      |
| Contact type         | sockets |
| Contact diameter     | 05mm    |
| Insulator material   | peek    |
| Termination          | pcb     |
| Termination diameter | 05mm    |

reverse\_gender\_on\_request

Technical information

|  |         |               |
|--|---------|---------------|
| Max. creepage and air clearance distance | 05_mm   | 12_mm         |
| Nominal current single contact           | 04_a    | iec_60512_5_2 |
| Nominal current insert                   | 2,2 A   | vde_0298_4    |
| Test voltage                             | 1_kv_ac | sae_13441     |

safety\_text

Mechanical and environmental data

|                       |          |
|-----------------------|----------|
| Degree of protection* | ip50     |
| Operating temperature | 40_120_c |
| Mating cycles         | 5000     |

mated\_unmated

## Material and surface treatments

|                |               |
|----------------|---------------|
| <b>Housing</b> | m_chrome      |
| <b>Contact</b> | cu_alloy_gold |

safety\_text\_2  
ul\_text  
illustrative\_text