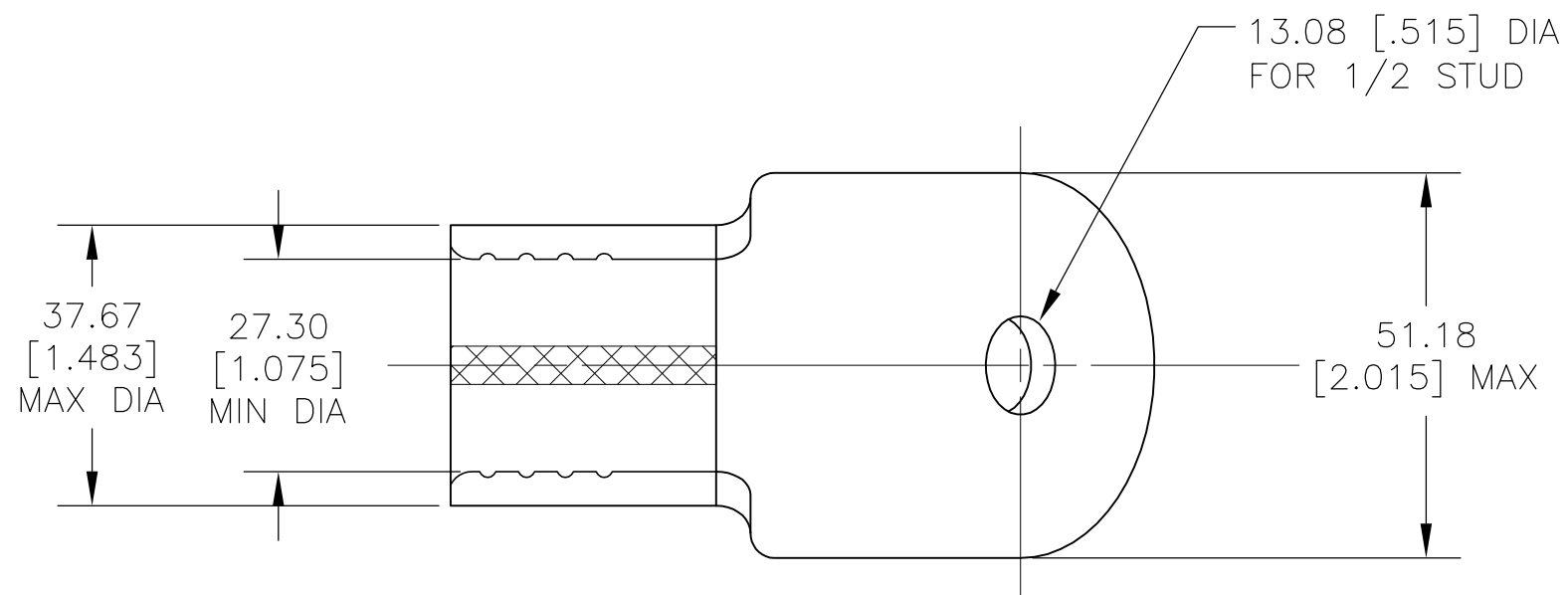
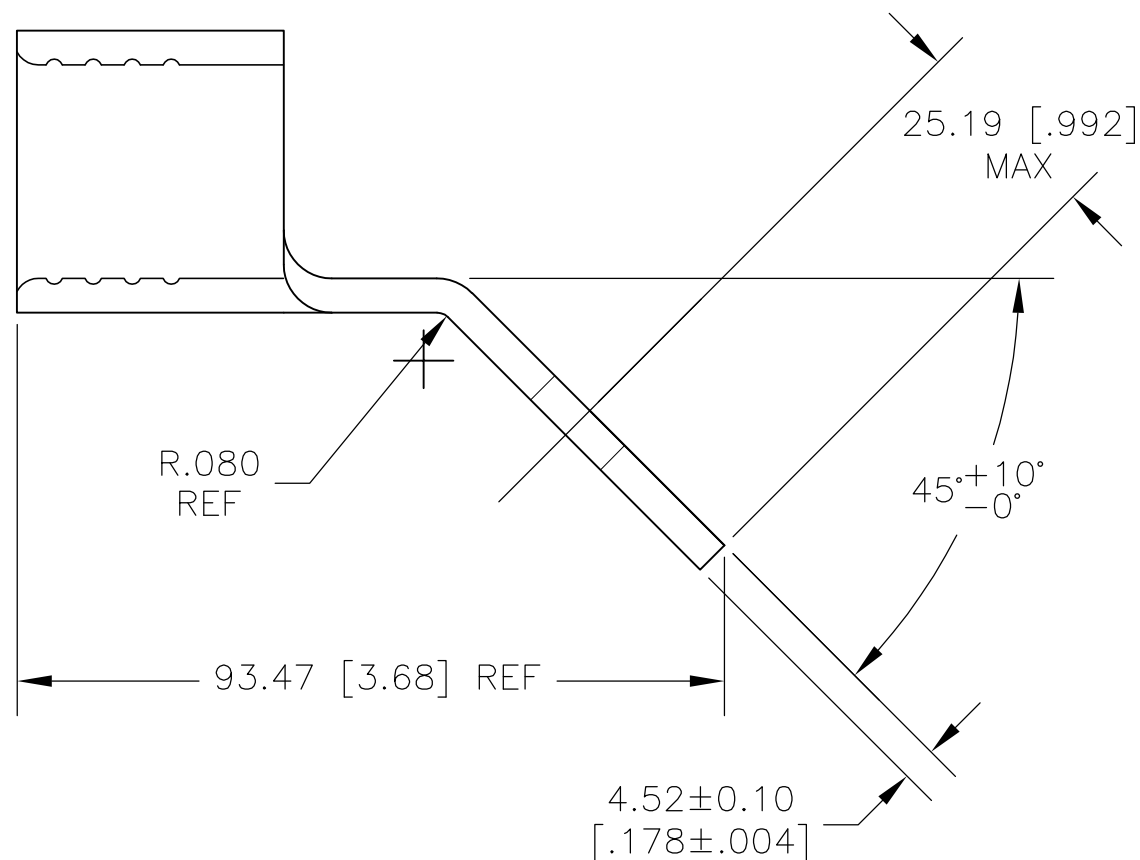


THIS DRAWING IS UNPUBLISHED. RELEASED FOR PUBLICATION  
 © COPYRIGHT - BY TYCO ELECTRONICS CORPORATION. ALL RIGHTS RESERVED.

LOC	DIST	REVISIONS					
G	05	P	LTR	DESCRIPTION	DATE	DWN	APVD
			1	PROPOSED	-	-	-



- △ 1 COPPER PER ASTM B152, ANNEALED
- △ 2 TIN PLATE PER ASTM B-545
- △ 3 PRELIMINARY - NOT FOR PRODUCTION



△ 3 1958184-1  
 PART NUMBER

THIS DRAWING IS A CONTROLLED DOCUMENT.		DWN	JR RUTH	09JAN08	Tyco Electronics Corporation Harrisburg, PA 17105-3608			
DIMENSIONS: INCHES		CHK	MIKE SPICER	09JAN08				
		APVD	MIKE SPICER	09JAN08	NAME			
TOLERANCES UNLESS OTHERWISE SPECIFIED:		PRODUCT SPEC			TERMINAL, RING TONGUE, SOLISTRAND, BENT 45, WIRE SIZE 500-600 MCM			
0 PLC ± - 1 PLC ± - 2 PLC ± 0.20 [.008] 3 PLC ± - 4 PLC ± - ANGLES ± -		APPLICATION SPEC			SIZE	CAGE CODE	DRAWING NO	RESTRICTED TO
MATERIAL - △ 1		FINISH - △ 2			WEIGHT	-	A3 00779 C-1958184	-
CUSTOMER DRAWING					SCALE	1:1	SHEET	1 OF 1
					REV	1		