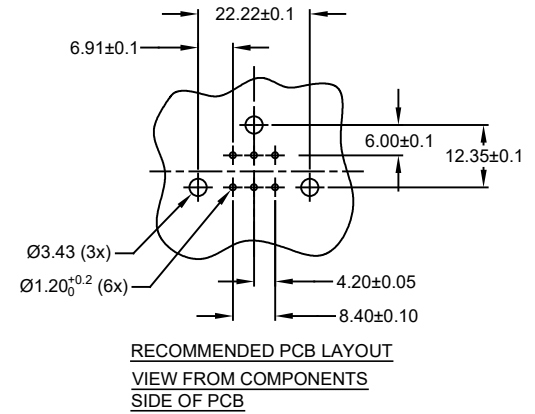
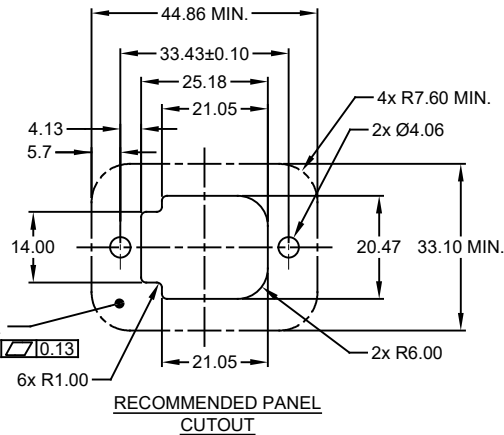
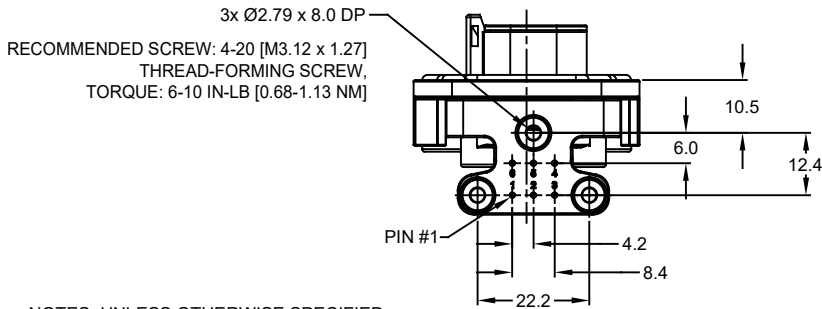
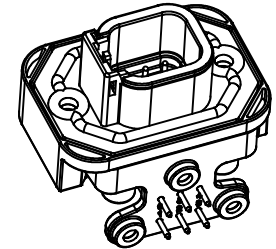
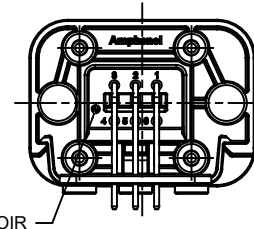
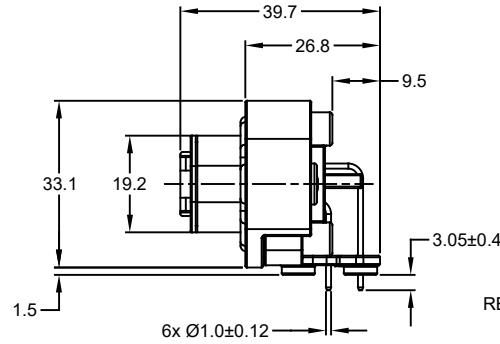
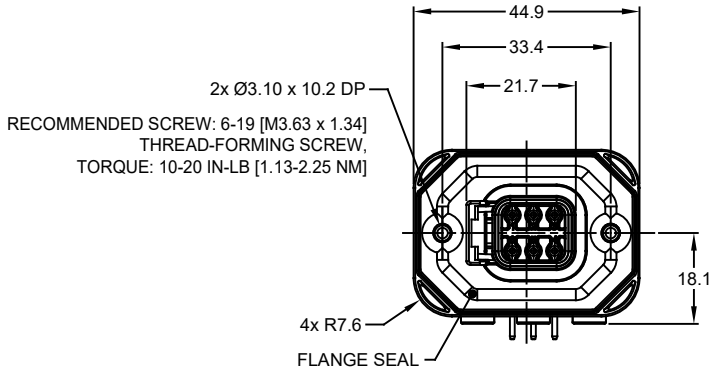


REVISIONS					
REV	ECO	DESCRIPTION	DATE	BY	APPR
A1	-	RELEASE NEW DRAWING	15JUN18	SULLEN	TOMMY
A2	-	REVISED DRAWING	10JUL20	JHEAD	DH



NOTES: UNLESS OTHERWISE SPECIFIED

- MATERIAL:  
HOUSING: THERMOPLASTIC, GREY  
SEAL: SILICONE RUBBER  
CONTACT: COPPER ALLOY
- MODIFICATIONS: FLANGE; RA PCB MOUNT
- SPECIFICATIONS:  
3.1 CURRENT RATING: 7.5 AMPS  
3.2 OPERATING TEMPERATURE: -55°C TO +125°C  
3.3 DIELECTRIC WITHSTANDING VOLTAGE: LESS THAN 2 MILLIAMPS CURRENT LEAKAGE @ 1500 VOLTS AC  
3.4 INSULATION RESISTANCE: 1000 MEGOHMS MIN @ 25°C  
3.5 MOISTURE RESISTANCE: IP67 (MATED CONDITION)  
3.6 MATING CYCLE DURABILITY: 100 CYCLES  
3.7 RoHS COMPLIANT
- MATING PART: ATM06-6S\* (\* = ALL MODIFICATIONS)
- ALL DIMENSIONS ARE FOR REFERENCE USE ONLY
- POTTED CONNECTORS SPECIFIED FOR UP TO 5 P.S.I. APPLICATIONS.

ATM13-6P-BMXX VARIANTS		
CONTACT PLATING	POTTING OR NOT IN RESERVOIR	PART NUMBER
GOLD	NO POTTING	ATM13-6P-BM01
GOLD	POTTING	ATM13-6P-BM02
TIN	NO POTTING	ATM13-6P-BM03
TIN	POTTING	ATM13-6P-BM04

ATM13-6P-BMXX		PART NUMBER		DESCRIPTION		ITEM
QUANTITY						
MATERIALS LIST						
UNLESS OTHERWISE SPECIFIED			SIGNATURES		DATE	
1) All dimensions are in metric(mm).			DRAWN: SULLEN,ZHANG		15JUN18	
2) Tolerances are as follows:			CHECKED: ORION,LI		15JUN18	
1 PL DEC ±0.30			ENGINEER:			
2 PL DEC ±0.15			APPROVAL: TOMMY,XIE		15JUN18	
3 PL DEC ±0.08			CUSTOMER:			
3) Note reference =			THIS DRAWING IS SUPPLIED FOR INFORMATION ONLY. DESIGN FEATURES, SPECIFICATIONS AND PERFORMANCE DATA SHOWN HEREON ARE THE PROPERTY OF THE AMPHENOL CORPORATION. NO RIGHTS OF REPRODUCTION ARE IMPLIED. ALL DIMENSIONS ARE SUBJECT TO NORMAL MANUFACTURING VARIATIONS.			
MATERIAL SPECIFICATIONS:			Sine Systems - www.amphenol-sine.com 44724 Morley Drive Clinton Township, MI 48036			
PROCESS SPECIFICATIONS:			BOARDLOCK PCB MOUNT RECEPTACLE, 6 PIN, RA FLANGE, ATM SERIES			
NEXT ASSY:			SIZE: B		TYPE: C-	
			DWG NO: ATM13-6P-BMXX		REVISION: A2	
			SCALE: NONE		SHEET 1 OF 1	

TITLE: PCB MOUNT RECEPTACLE, 6 PIN, RA FLANGE, ATM SERIES  
DWG NO: ATM13-6P-BMXX  
REV: A2  
SH: 1  
OF: 1