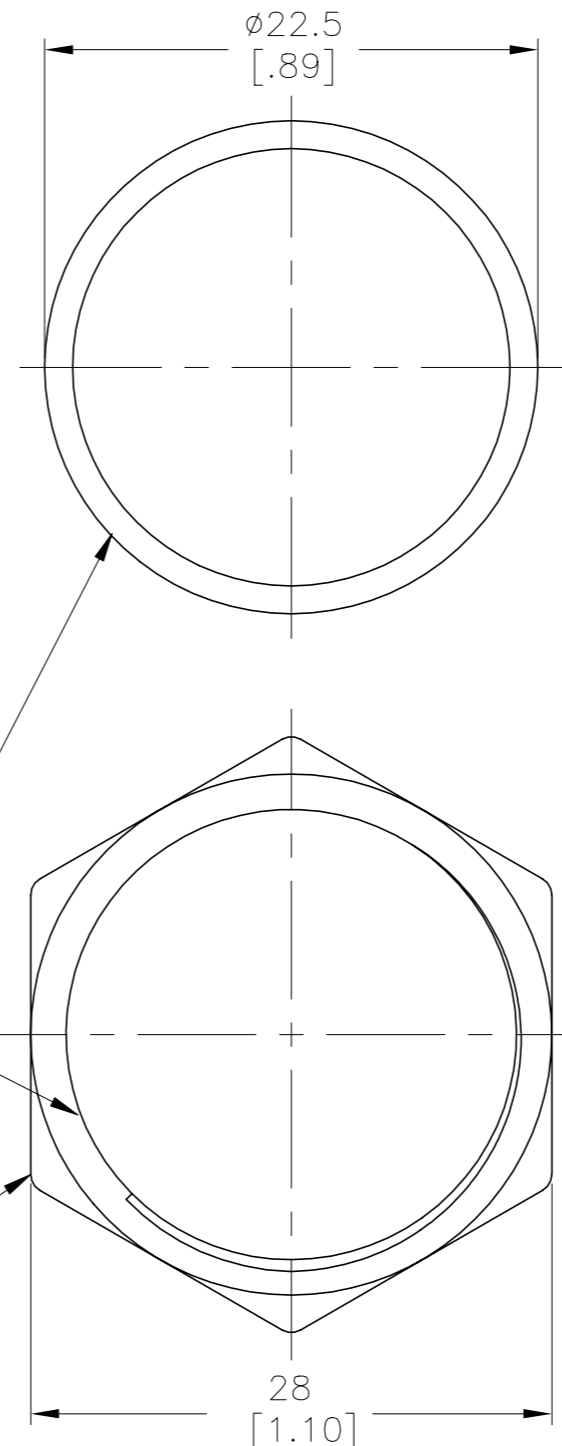
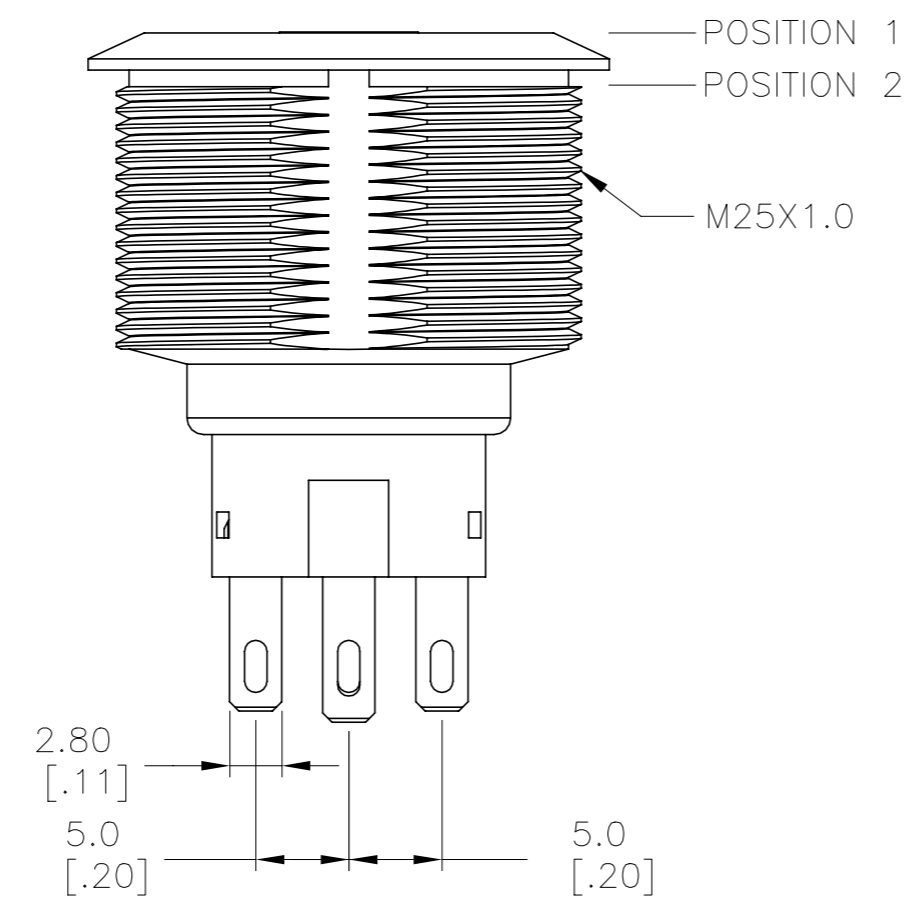
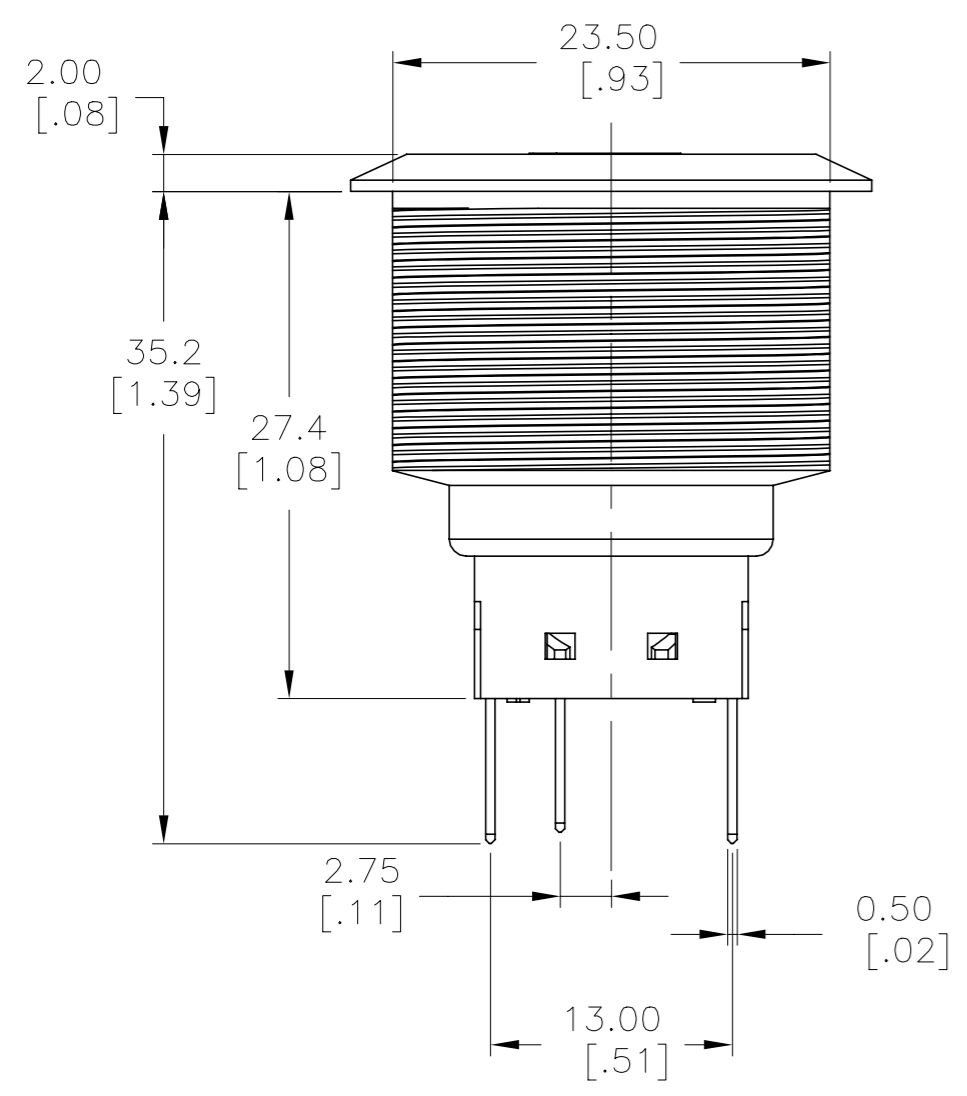
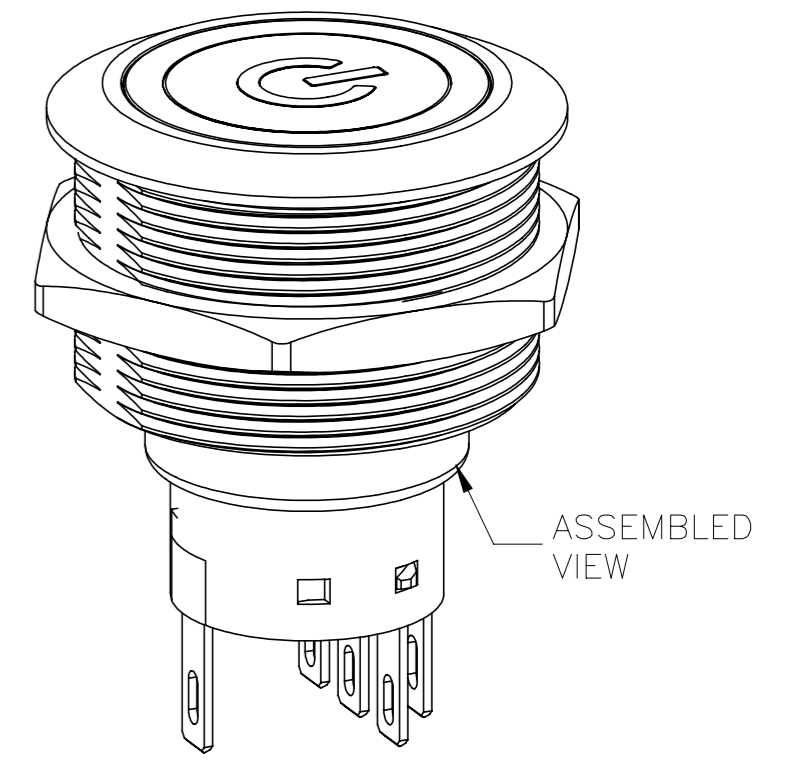
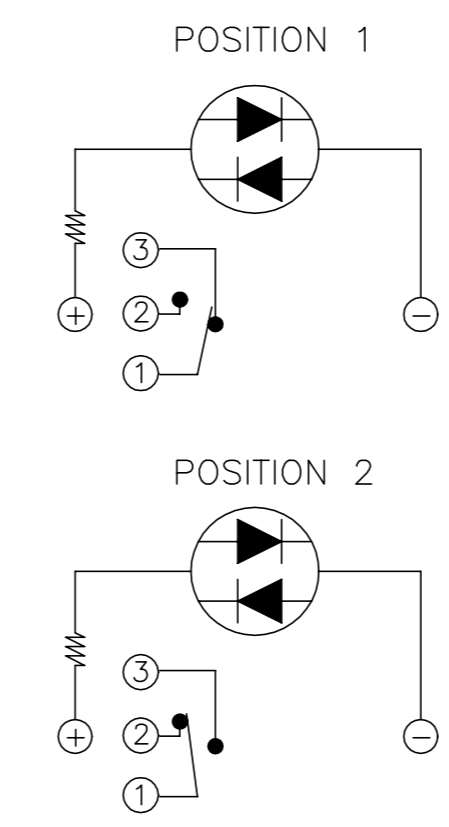
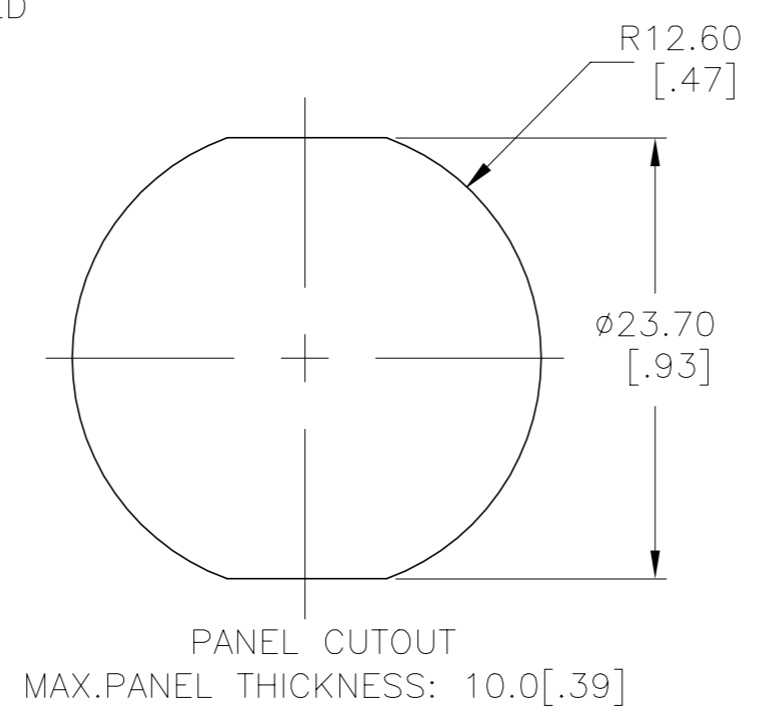
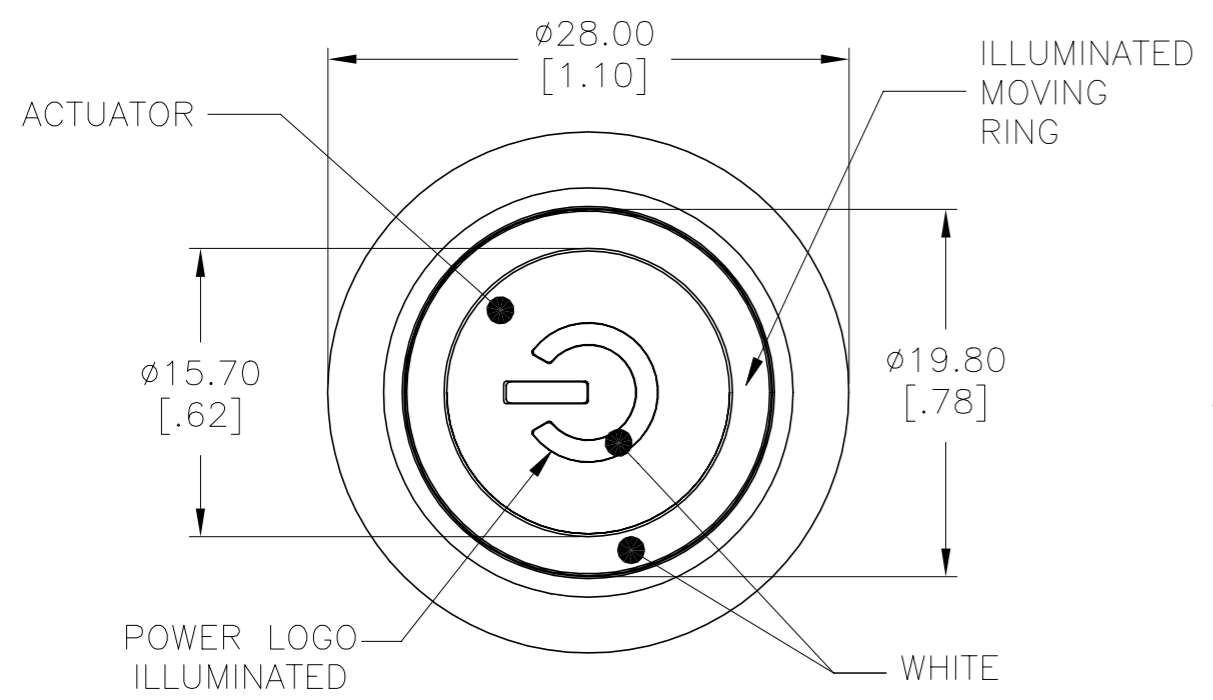


# SINGLE POLE SWITCH

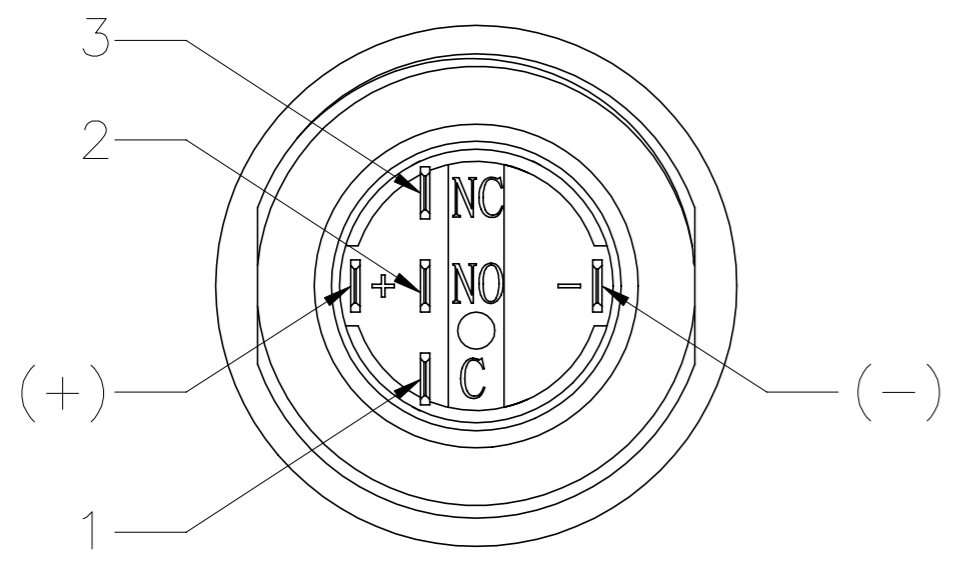
REVISIONS				
P	LTR	DESCRIPTION	DATE	DWN / APVD
	A1	ECR-17-011951	16JUN2021	RK / AS



**SPECIFICATION:**  
 CONTACT RATING: SILVER; 3A @ 250VAC RESISTIVE  
 GOLD; 0.4A @ 20VDC OR PEAK AC  
 INSULATION RESISTANCE: 1,000MΩ MIN AT 500VDC  
 DIELECTRIC STRENGTH: 2,000V RMS @ SEA LEVEL  
 CONTACT RESISTANCE: 50mΩ MAX @ 1A 12VDC (INITIAL VALUE),  
 100mΩ MAX @ 1A 12VDC (INITIAL VALUES),  
 FLYING LEADS.  
 ELECTRICAL LIFE CYCLES: 50,000 MAKE AND BREAK CYCLES  
 AT FULL LOAD.  
 ACTUATION FORCE: SP: 2.5±1 N, DP: 3.5±1 N  
 ACTUATION TRAVEL: APPROXIMATELY 3.2mm  
 SEALED PER IP67, IK08 (STAINLESS)  
 OPERATING TEMPERATURE: -20°C TO +55°C  
 MECHANICAL LIFECYCLES: MOMENTARY; 1,000,000 CYCLES  
 LOCKING; 500,000 CYCLES  
 HARDWARE TORQUE: 5-14 N-m.

**MATERIALS**  
 BUSHING: STAINLESS STEEL,  
 BASE: PBT (UL 94-V0), PC (UL 94-V2),  
 ACTUATOR: STAINLESS STEEL, PC  
 O-RING: SILICONE,  
 TERMINAL/CONTACT: COPPER BASE, SILVER/GOLD PLATED,  
 HEX NUT: BRASS BASE, NICKEL PLATED.

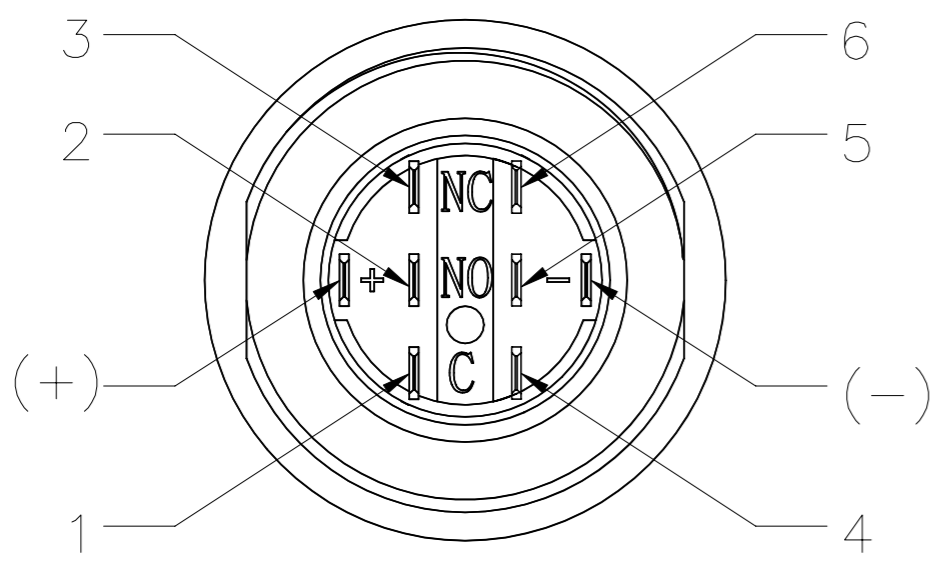
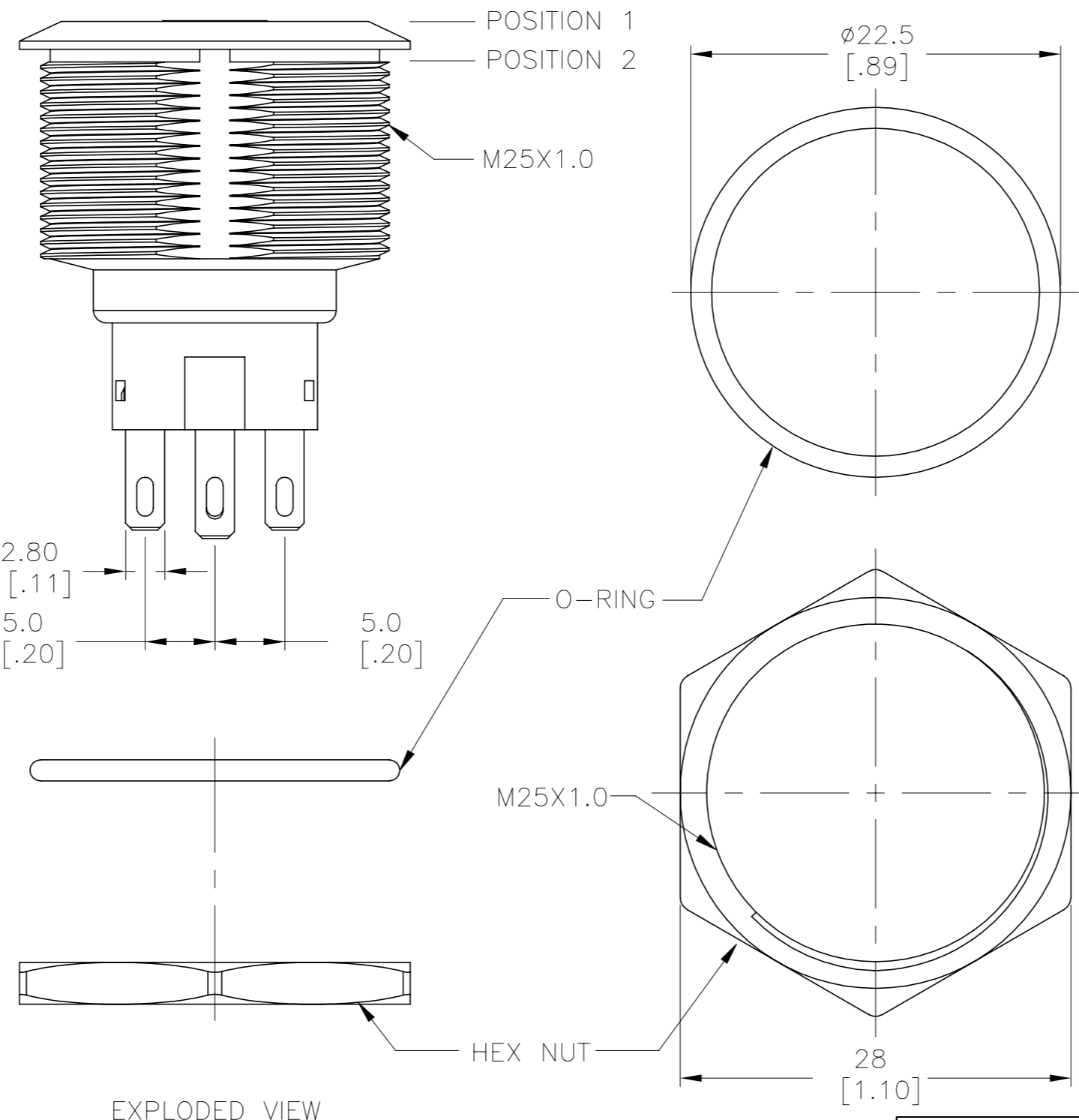
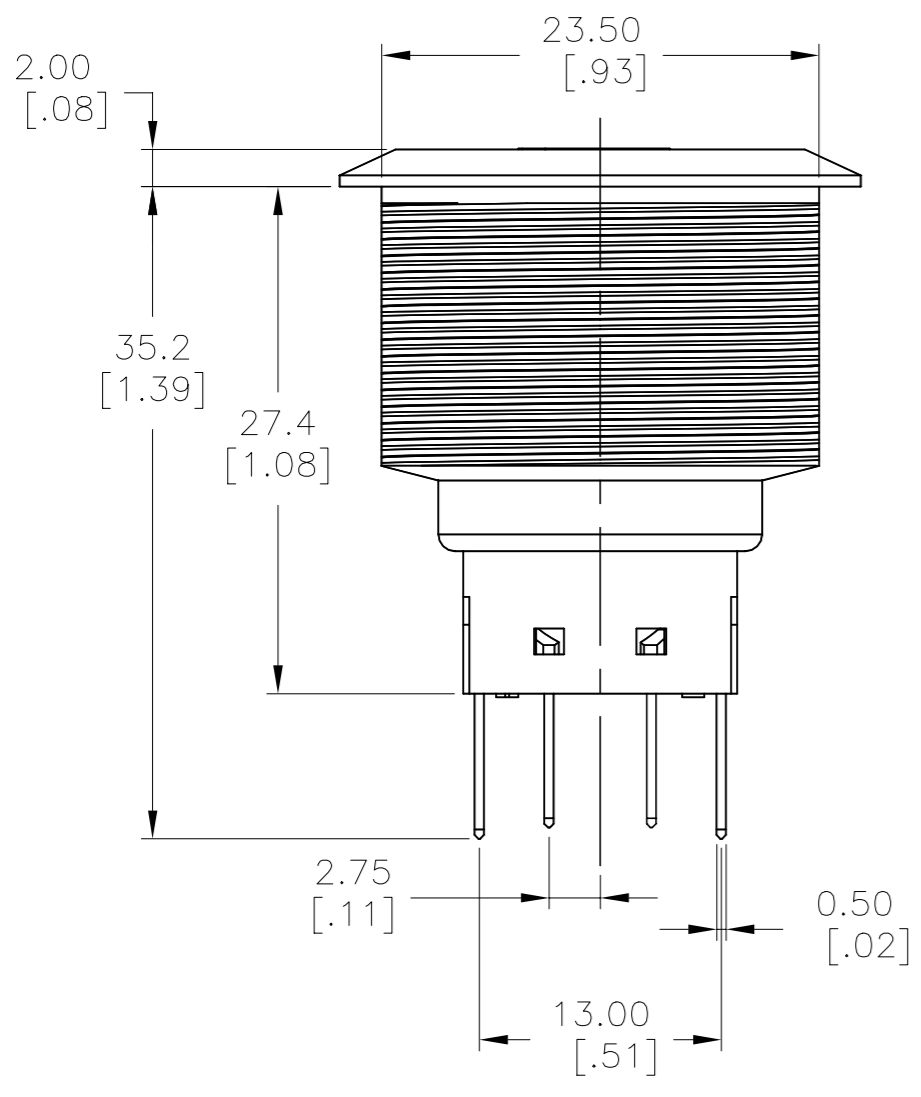
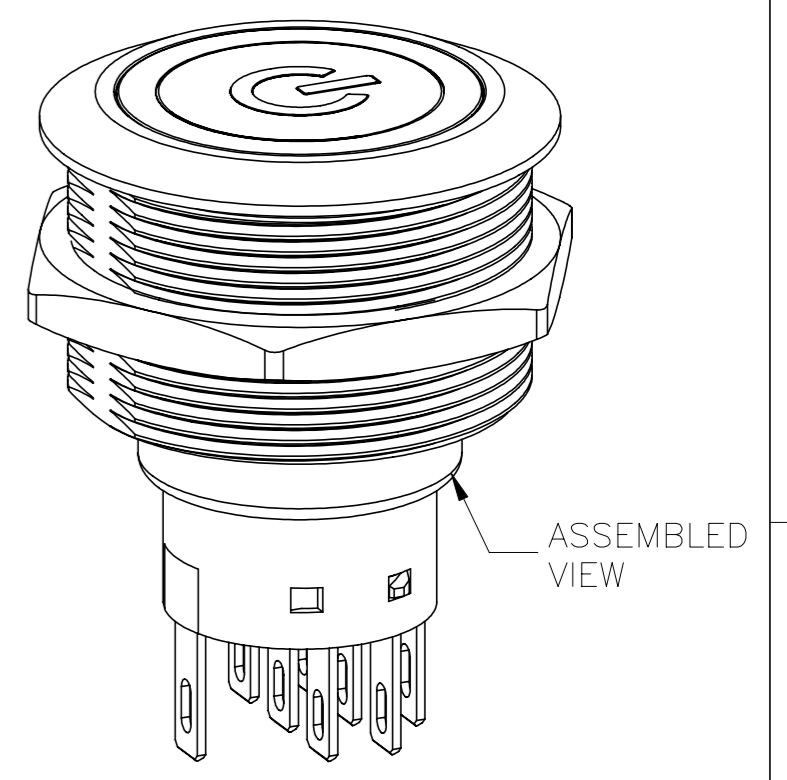
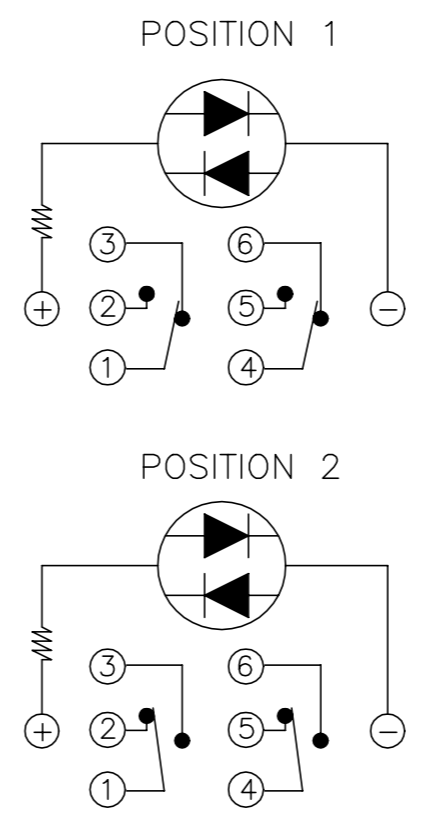
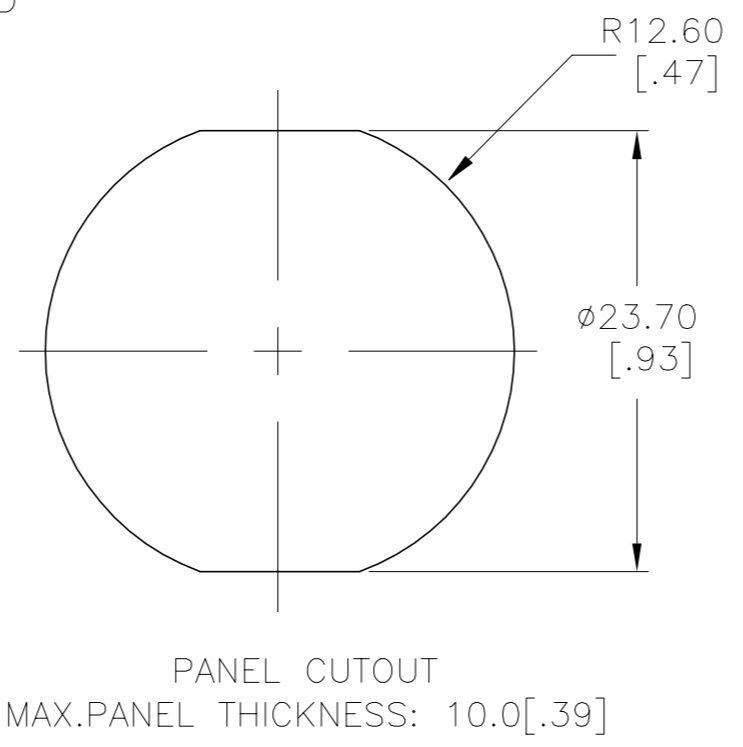
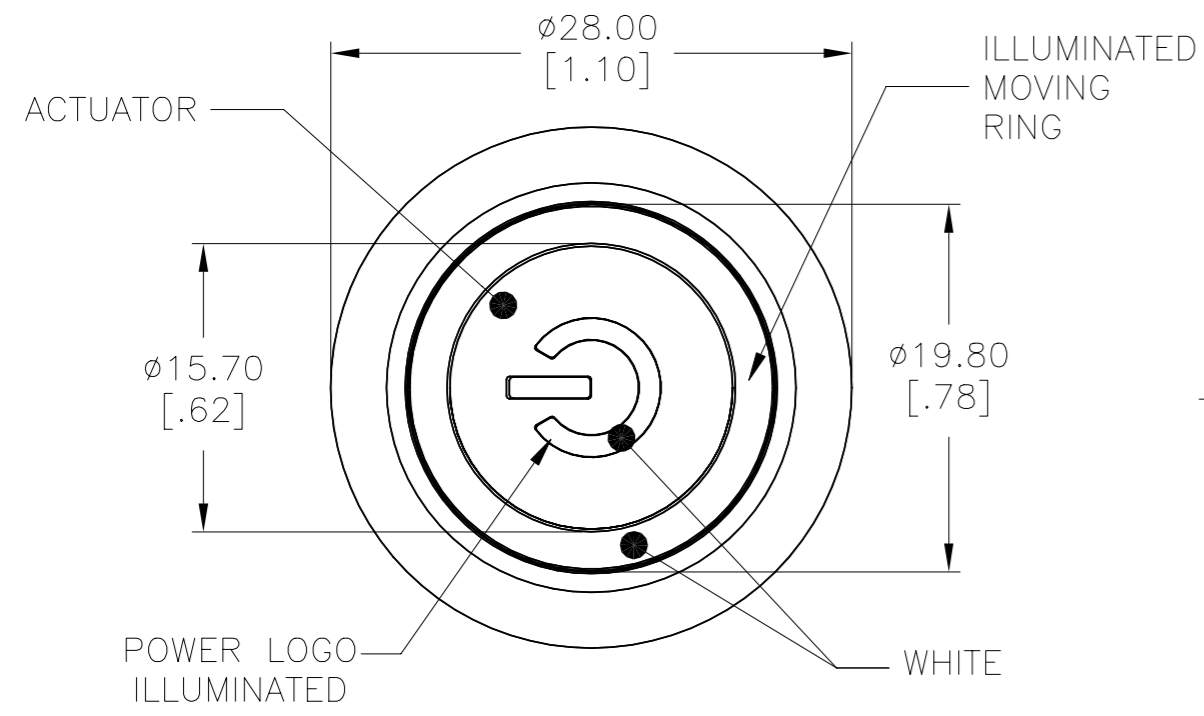
1. ALL MATERIAL AND FINISHES SHALL COMPLY WITH EU DIRECTIVE 2002/95/EC OF 27JAN2003(ROHS).



THIS DRAWING IS A CONTROLLED DOCUMENT.		DWN SHIVAKUMAR S S 15MAR2017		
DIMENSIONS: mm [INCHES]		CHK SANJAY SHINDIKAR 15MAR2017		
TOLERANCES UNLESS OTHERWISE SPECIFIED:		APVD SANJAY SHINDIKAR 15MAR2017	NAME ANTI-VANDAL SWITCH 25mm, SOLDER TERMINALS MOVING RING LED PLUS POWER LOGO	
0 PLC ± -	1 PLC ± 0.4[.016]	PRODUCT SPEC	SIZE	CAGE CODE
2 PLC ± 0.25[.010]	3 PLC ± -	APPLICATION SPEC	A2	00779
4 PLC ± -	ANGLES ± 2°	WEIGHT	DRAWING NO C=2317658	
MATERIAL	FINISH	CUSTOMER DRAWING	SCALE	SHEET
-	-	-	1:1	1 of 3
			REV	A1

# DOUBLE POLE SWITCH

REVISIONS					
P	LTR	DESCRIPTION	DATE	DWN	APVD
-	-	SEE SHEET 1	-	-	-



THIS DRAWING IS A CONTROLLED DOCUMENT.		DWN SHIVAKUMAR S S 15MAR2017														
DIMENSIONS: mm [INCHES]		CHK SANJAY SHINDIKAR 15MAR2017														
TOLERANCES UNLESS OTHERWISE SPECIFIED:		APVD SANJAY SHINDIKAR 15MAR2017	NAME ANTI-VANDAL SWITCH 25mm, SOLDER TERMINALS MOVING RING LED PLUS POWER LOGO													
<table border="1"> <tr><td>0 PLC</td><td>± -</td></tr> <tr><td>1 PLC</td><td>± 0.4 [.016]</td></tr> <tr><td>2 PLC</td><td>± 0.25 [.010]</td></tr> <tr><td>3 PLC</td><td>± -</td></tr> <tr><td>4 PLC</td><td>± -</td></tr> <tr><td>ANGLES</td><td>± 2°</td></tr> </table>		0 PLC	± -	1 PLC	± 0.4 [.016]	2 PLC	± 0.25 [.010]	3 PLC	± -	4 PLC	± -	ANGLES	± 2°	PRODUCT SPEC -	SIZE A2	
0 PLC	± -															
1 PLC	± 0.4 [.016]															
2 PLC	± 0.25 [.010]															
3 PLC	± -															
4 PLC	± -															
ANGLES	± 2°															
MATERIAL -		APPLICATION SPEC -	CAGE CODE 00779	DRAWING NO C=2317658												
FINISH -		WEIGHT -	SCALE 1:1	SHEET 2 of 3												
		CUSTOMER DRAWING	RESTRICTED TO -	REV A1												


THIS DRAWING IS UNPUBLISHED. RELEASED FOR PUBLICATION  
 © COPYRIGHT - By - ALL RIGHTS RESERVED.

REVISIONS					
P	LTR	DESCRIPTION	DATE	DWN	APVD
-	-	SEE SHEET 1	-	-	-

CONTACT FINISH	LIGHT TYPE	TERMINAL OPTION	POLE/THROW	LED COLOR	LED VOLTAGE	TE DESCRIPTIVE PART NUMBER	TE PART NUMBER
SILVER	MOVING RING PLUS POWER LOGO	SOLDER TERMINAL	DOUBLE POLE - LOCKING	BLUE	24	AV2521M724Q04	3-2317658-0
				GREEN	24	AV2521M624Q04	2-2317658-9
				YELLOW	24	AV2521M524Q04	2-2317658-8
				RED	24	AV2521M324Q04	2-2317658-7
				WHITE	24	AV2521M124Q04	2-2317658-6
			DOUBLE POLE - MOMENTARY	BLUE	24	AV2520M724Q04	2-2317658-5
				GREEN	24	AV2520M624Q04	2-2317658-4
				YELLOW	24	AV2520M524Q04	2-2317658-3
				RED	24	AV2520M324Q04	2-2317658-2
				WHITE	24	AV2520M124Q04	2-2317658-1
			SINGLE POLE - LOCKING	BLUE	24	AV2511M724Q04	1-2317658-0
				GREEN	24	AV2511M624Q04	2317658-9
				YELLOW	24	AV2511M524Q04	2317658-8
				RED	24	AV2511M324Q04	2317658-7
				WHITE	24	AV2511M124Q04	2317658-6
			SINGLE POLE - MOMENTARY	BLUE	12	AV2510M712Q04	2317658-5
				GREEN	12	AV2510M612Q04	2317658-4
				YELLOW	12	AV2510M512Q04	2317658-3
				RED	12	AV2510M312Q04	2317658-2
				WHITE	12	AV2510M112Q04	2317658-1

2317658

THIS DRAWING IS A CONTROLLED DOCUMENT.

DWN 15MAR2017 SHIVAKUMAR S S	 TE Connectivity NAME ANTI-VANDAL SWITCH 25mm, SOLDER TERMINALS MOVING RING LED PLUS POWER LOGO		
CHK 15MAR2017 SANJAY SHINDIKAR			
APVD 15MAR2017 SANJAY SHINDIKAR			
PRODUCT SPEC			
APPLICATION SPEC	SIZE CAGE CODE DRAWING NO RESTRICTED TO		
MATERIAL FINISH	WEIGHT -	A2 00779 C=2317658	-
CUSTOMER DRAWING		SCALE 1:1	SHEET 3 of 3 REV A1

DIMENSIONS: mm [INCHES]	TOLERANCES UNLESS OTHERWISE SPECIFIED:
0 PLC ± -	1 PLC ± 0.4[.016]
2 PLC ± 0.25[.010]	3 PLC ± -
4 PLC ± -	ANGLES ± 2°

