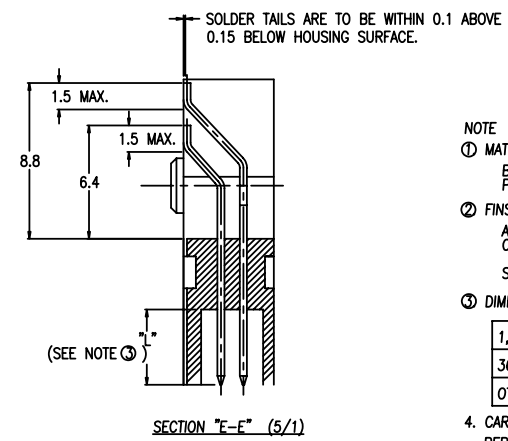
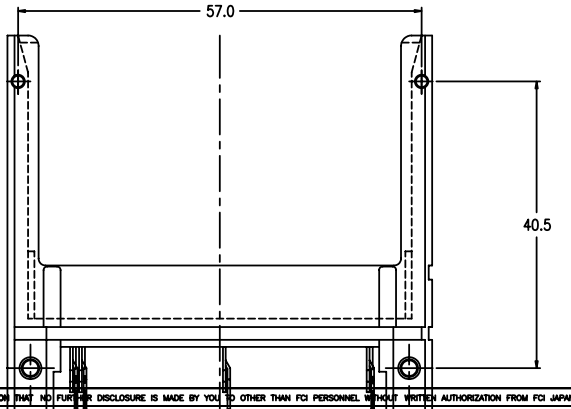
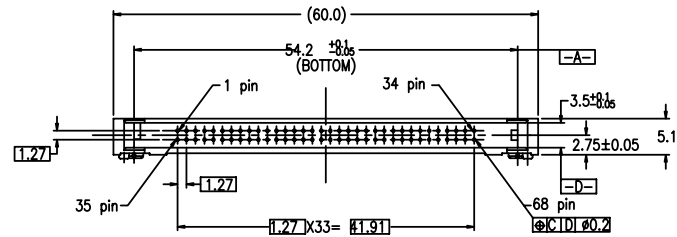
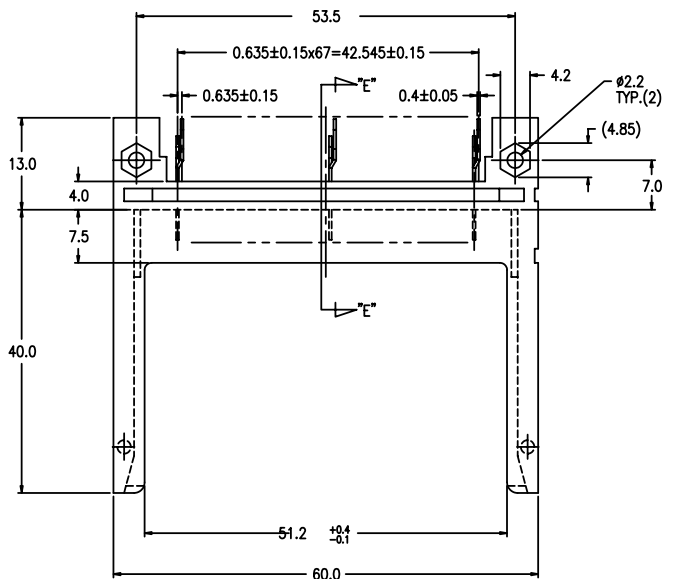
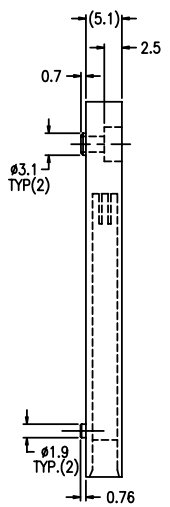


PRODUCT No.	FINISH
92150-001	SEE NOTE 2
△92150-001LF	SEE NOTE 5

REVISIONS				
REV	DESCRIPTION	ECN	BY	DATE
1	SKETCHED		KS	11/13/93
A	RELEASED	J30180	KS	6/10/93
B	REVISED	105-0279	M.Z	10/28/05



NOTE

① MATERIAL  
 BODY : LCP UL94V-0 BLACK  
 PIN : PHOSPHOR BRONZE

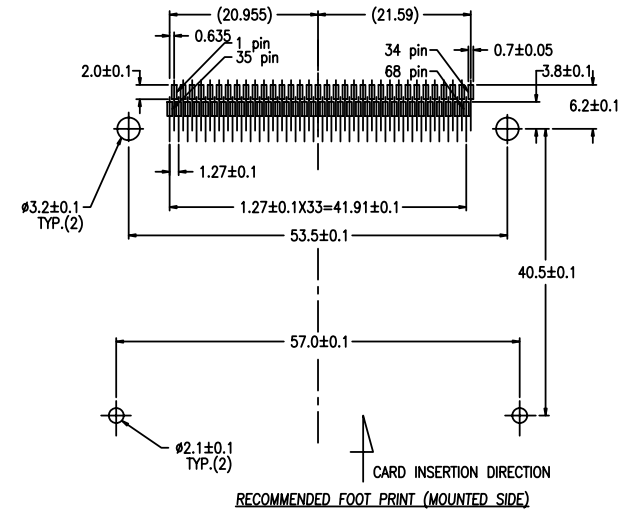
② FINSH(PIN)  
 ALL OVER : Ni UNDER PLATING 0.5μm THK MIN.  
 CONTACT AREA : Au 0.1μm THK MIN.  
 OVER Pd/Ni 0.5μm THK MIN.  
 SOLDER TAIL : Sn/Pb 2.5μm THK MIN.

③ DIMENSION "L"

1,17,34,35,51,68PIN	5.0±0.1
36,67PIN	3.5±0.1
OTHERS	4.25±0.1

4. CARD SLOT AND PIN DIMENSIONS  
 PER JEIDA/PCMCIA STANDARDS

⑤ FINSH(PIN)  
 ALL OVER : Ni UNDER PLATING 0.5 μm THK MIN.  
 CONTACT AREA : Au 0.1μm THK MIN.  
 OVER Pd/Ni 0.5 μm THK MIN.  
 SOLDER TAIL : Sn 2.5μm THK MIN.



SHEET INDEX	ISSUE	B	B																		
	SH NO.	1	2																		
TOLERANCES UNLESS OTHERWISE SPECIFIED		±0.3		MAT		DR		DATE		CUSTOMER COPY		TITLE		PRODUCT FAMILY		CODE					
LINEAR				SEE NOTE ①		M.Hasegawa		7/19/05		COPY		88POS. HEADER ASS'Y		JEIDA/PCMCIA TYPE I, II, III		SANF Header PCMCIA		JP			
ANGLES				FINISH		CHK		M.Hasegawa		7/19/05		THIRD ANGLE PROJ		SCALE		SIZE		DWG. NO.		REV SHEET	
						APPD				UNIT		MM		2/1		C		92150		B 1 of 2	

DO NOT SCALE PRINT THIS INFORMATION IS CONFIDENTIAL AND IS DISCLOSED TO YOU ON CONDITION THAT NO FURTHER DISCLOSURE IS MADE BY YOU TO OTHER THAN FCI PERSONNEL WITHOUT WRITTEN AUTHORIZATION FROM FCI JAPAN K.K.

