

936098-1 ✓ ACTIVE

AMP | Multilock Connector System

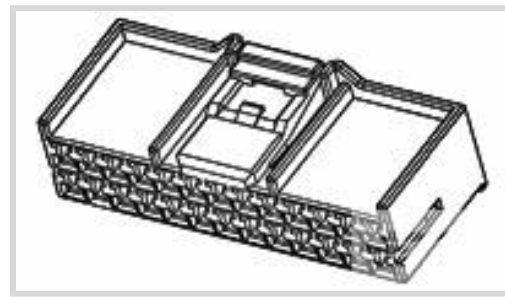
TE Internal #: 936098-1

Housing for Female Terminals, Wire-to-Wire, 26 Position, .157 in [4 mm] Centerline, Natural, Signal, Multilock Connector System

[View on TE.com >](#)



Connectors > Automotive Connectors > Automotive Housings > MULTILOCK, CONNECTOR HOUSING



Connector & Housing Type: **Housing for Female Terminals**

Mating Tab Width: **2.3 mm [.09 in]**

Connector System: **Wire-to-Wire**

Number of Positions: **26**

Centerline (Pitch): **4 mm [.157 in]**

[All MULTILOCK, CONNECTOR HOUSING \(567\)](#)

Features

Product Type Features

Connector Shape	Rectangular
Connector & Housing Type	Housing for Female Terminals
Connector System	Wire-to-Wire
Sealable	No
Hybrid Connector	No
Primary Locking Feature	Integrated in Housing

Configuration Features

Blank Cavity Position	0
Number of Positions	26
Number of Rows	2

Body Features

Cable Exit Angle	180°
Primary Product Color	Natural

Contact Features

Contact Size	2.3mm
Contact Type	Receptacle
Mating Tab Width	2.3 mm[.09 in]



Mechanical Attachment

Terminal Position Assurance	Yes
Strain Relief	Without
Mating Alignment Type	Polarized
Mating Alignment	With
Connector Mounting Type	Cable Mount (Free-Hanging)

Housing Features

Housing Material	PBT
Centerline (Pitch)	4 mm [.157 in]

Dimensions

Connector Height	15.8 mm [.622 in]
Product Width	21 mm [.826 in]
Product Length	54.1 mm [2.12 in]
Row-to-Row Spacing	5 mm [.197 in]

Usage Conditions

Operating Temperature (Max)	70 °C, 75 °C, 80 °C [158 °F][167 °F][176 °F]
Operating Temperature Range	-40 – 80 °C [-40 – 176 °F]

Operation/Application

Circuit Application	Signal
---------------------	--------

Industry Standards

UL Flammability Rating	UL 94HB
------------------------	---------

Packaging Features

Packaging Quantity	230
Packaging Method	Bag

Other

Serviceable	Yes
Connector Position Assurance Capable	No

Product Compliance

For compliance documentation, visit the product page on [TE.com](https://www.te.com)>

EU RoHS Directive 2011/65/EU	Compliant
EU ELV Directive 2000/53/EC	Compliant



China RoHS 2 Directive MIIT Order No 32, 2016	No Restricted Materials Above Threshold
EU REACH Regulation (EC) No. 1907/2006	Current ECHA Candidate List: JUNE 2023 (235) Candidate List Declared Against: JUNE 2023 (235) Does not contain REACH SVHC
Halogen Content	Low Halogen - Br, Cl, F, I < 900 ppm per homogenous material. Also BFR/CFR/PVC Free
Solder Process Capability	Not applicable for solder process capability

Product Compliance Disclaimer

This information is provided based on reasonable inquiry of our suppliers and represents our current actual knowledge based on the information they provided. This information is subject to change. The part numbers that TE has identified as EU RoHS compliant have a maximum concentration of 0.1% by weight in homogenous materials for lead, hexavalent chromium, mercury, PBB, PBDE, DBP, BBP, DEHP, DIBP, and 0.01% for cadmium, or qualify for an exemption to these limits as defined in the Annexes of Directive 2011/65/EU (RoHS2). Finished electrical and electronic equipment products will be CE marked as required by Directive 2011/65/EU. Components may not be CE marked. Additionally, the part numbers that TE has identified as EU ELV compliant have a maximum concentration of 0.1% by weight in homogenous materials for lead, hexavalent chromium, and mercury, and 0.01% for cadmium, or qualify for an exemption to these limits as defined in the Annexes of Directive 2000/53/EC (ELV). Regarding the REACH Regulation, the information TE provides on SVHC in articles for this part number is based on the latest European Chemicals Agency (ECHA) 'Guidance on requirements for substances in articles' posted at this URL: <https://echa.europa.eu/guidance-documents/guidance-on-reach>

Compatible Parts

TE Part # CAT-M9194-CH8172
MULTILOCK, CONNECTOR HOUSING

TE Part # CAT-M9194-T273
MULTILOCK, RECEPTACLE AND TAB

TE Part # 368083-1
090II NON SLD REC(SQ 2.0)

TE Part # 368084-1
090III NON SLD REC(SQ0.85-1.25)

Also in the Series | Multilock Connector System

Automotive Connector Caps & Covers (17)

Automotive Connector EMC Shielding (1)

Automotive Connector Locks & Position Assurance(2)

Automotive Housings(603)



Automotive Terminals(141)



Connector Seals & Cavity Plugs(2)



Insertion & Extraction Tools(6)



Other Automotive Connector Accessories(14)



PCB Headers & Receptacles(142)

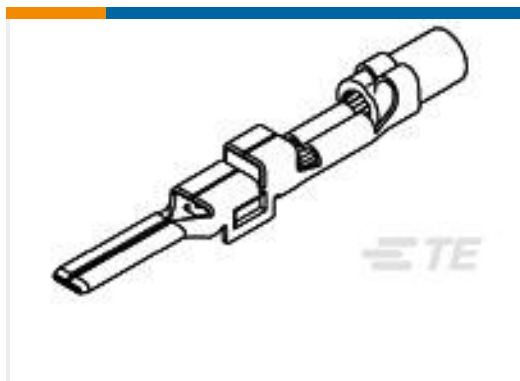
Customers Also Bought



TE Part #936207-1
MULTILOCK, CONNECTOR HOUSING



TE Part #2209441-1
2W SPLASH PROOF CONN. W.S.L. JPT



TE Part #368087-1
090II NON SLD TAB(SQ0.85-1.25)



TE Part #1-2355507-1
3POS,MCON 1.2,REC HSG ASSY,SLD, COD A



TE Part #1-2355514-1
4POS,MCON 1.2,REC HSG ASSY,SLD, COD A



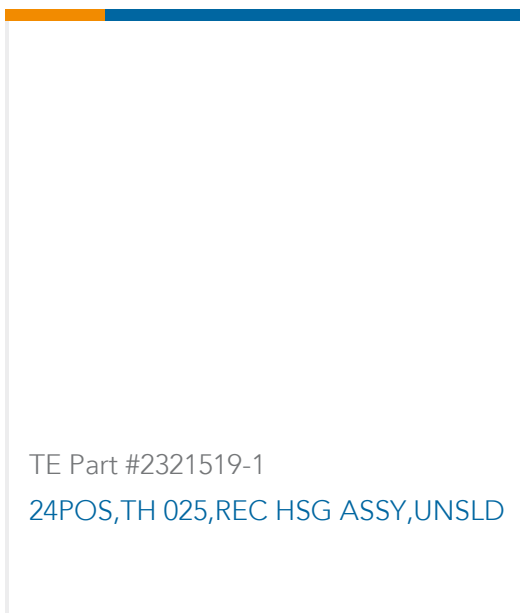
TE Part #2005330-1
025/090/110 HYB 24P CAP ASSY



TE Part #2005431-1
025/090 HYB 34P PLUG ASSY



TE Part #2005434-1
025/090 HYB 34P CAP ASSY



TE Part #2321519-1
24POS,TH 025,REC HSG ASSY,UNSLD

Documents



CAD Files

3D PDF

3D

Customer View Model

[ENG_CVM_CVM_936098-1_C.2d_dxf.zip](#)

English

Customer View Model

[ENG_CVM_CVM_936098-1_C.3d_igs.zip](#)

English

Customer View Model

[ENG_CVM_CVM_936098-1_C.3d_stp.zip](#)

English

By downloading the CAD file I accept and agree to the [Terms and Conditions](#) of use.

Datasheets & Catalog Pages

MULTILOCK Connector System

English

Product Specifications

Product Specification

English