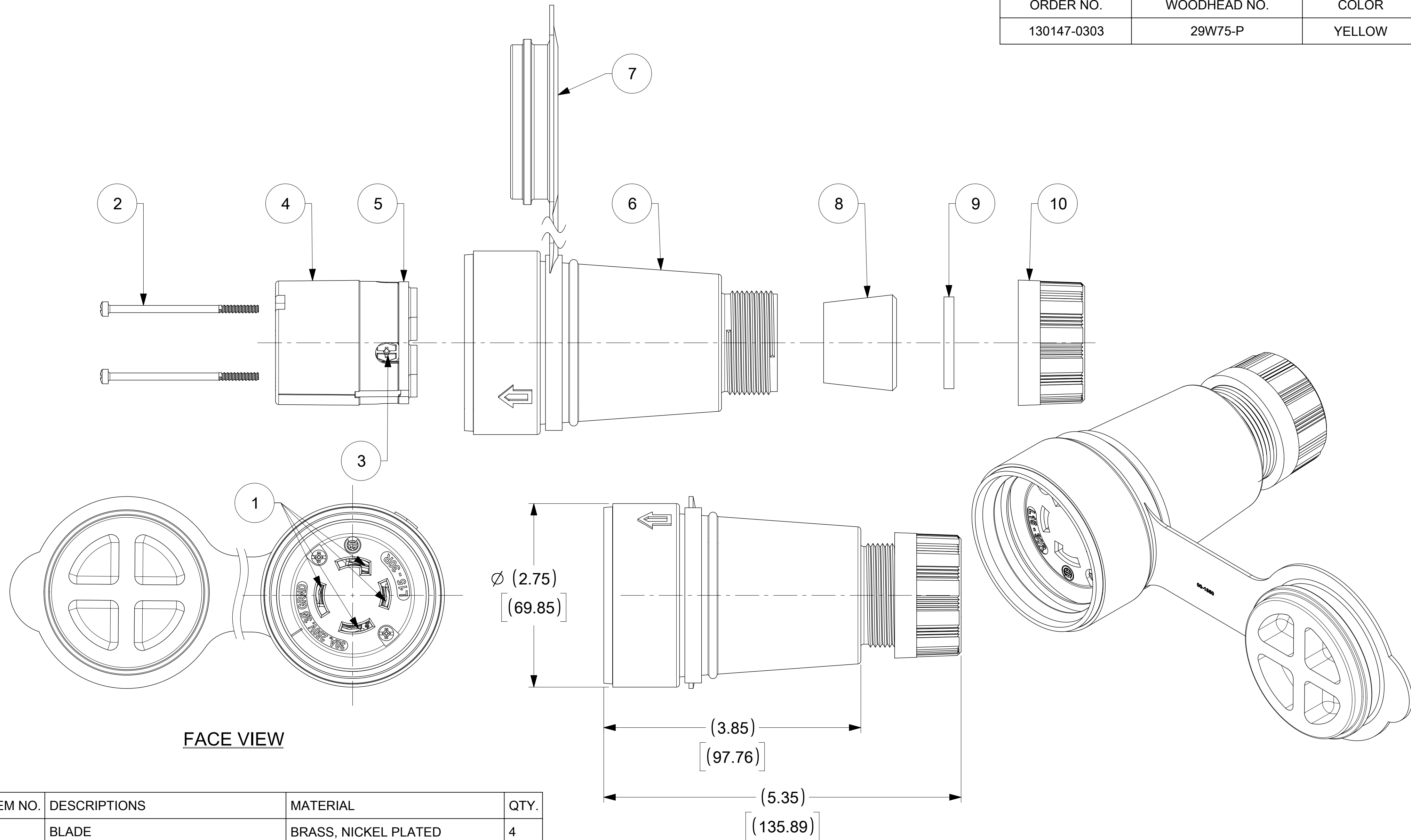


ORDER NO.	WOODHEAD NO.	COLOR
130147-0303	29W75-P	YELLOW



ITEM NO.	DESCRIPTIONS	MATERIAL	QTY.
1	BLADE	BRASS, NICKEL PLATED	4
2	RETAINING SCREWS	STAINLESS STEEL	2
3	CLAMP AND TERMINAL SCREW ASSY	BRASS, ZINC PLATED	4
4	INSERT	NYLON	1
5	TERMINAL COVER	POLYCARBONATE	1
6	HOUSING	SILICON WITH NYLON THREAD	1
7	COVER CLOSURE	SILICON WITH NYLON THREAD	1
8	GROMMET	RUBBER	4
9	FRICTION RING	NYLON	1
10	COMPRESSION NUT	NYLON	1

SYMBOLS ▽ = 0 ▽ = 0 ▽ = 0 S = 0 ▽ = 0 ▽ = 0 ⊠ = 0 ■ = 0 ▽ = 0	THIS DRAWING CONTAINS INFORMATION THAT IS PROPRIETARY TO MOLEX ELECTRONIC TECHNOLOGIES, LLC AND SHOULD NOT BE USED WITHOUT WRITTEN PERMISSION		DIMENSION UNITS: INCH[MM] SCALE: NTS		CURRENT REV DESC: RELEASED		
	GENERAL TOLERANCES (UNLESS SPECIFIED)		EC NO: 614386 DRWN: DSOPPIN 2018/12/28 CHK'D: DNGUYEN62 2019/04/17 APPR: HKNEELAND 2019/04/25		molex WATERTITE CONNECTOR 3P4W L15-30		
4 PLACES ± 3 PLACES ± 2 PLACES ± 1 PLACE ± 0 PLACES ±		MM INCH ± ± ± ± ± ± ± ±		INITIAL REVISION: DRWN: DSOPPIN 2018/12/28 APPR: HKNEELAND 2019/04/25		PRODUCT CUSTOMER DRAWING DOCUMENT NUMBER: 1301470303 DOC TYPE: PSD DOC PART: 000 REVISION: A	
ANGULAR TOL ± ° DRAFT WHERE APPLICABLE MUST REMAIN WITHIN DIMENSIONS		THIRD ANGLE PROJECTION		DRAWING SERIES: C-SIZE 130147		MATERIAL NUMBER: SEE TABLE CUSTOMER: GENERAL MARKET SHEET NUMBER: 1 OF 1	