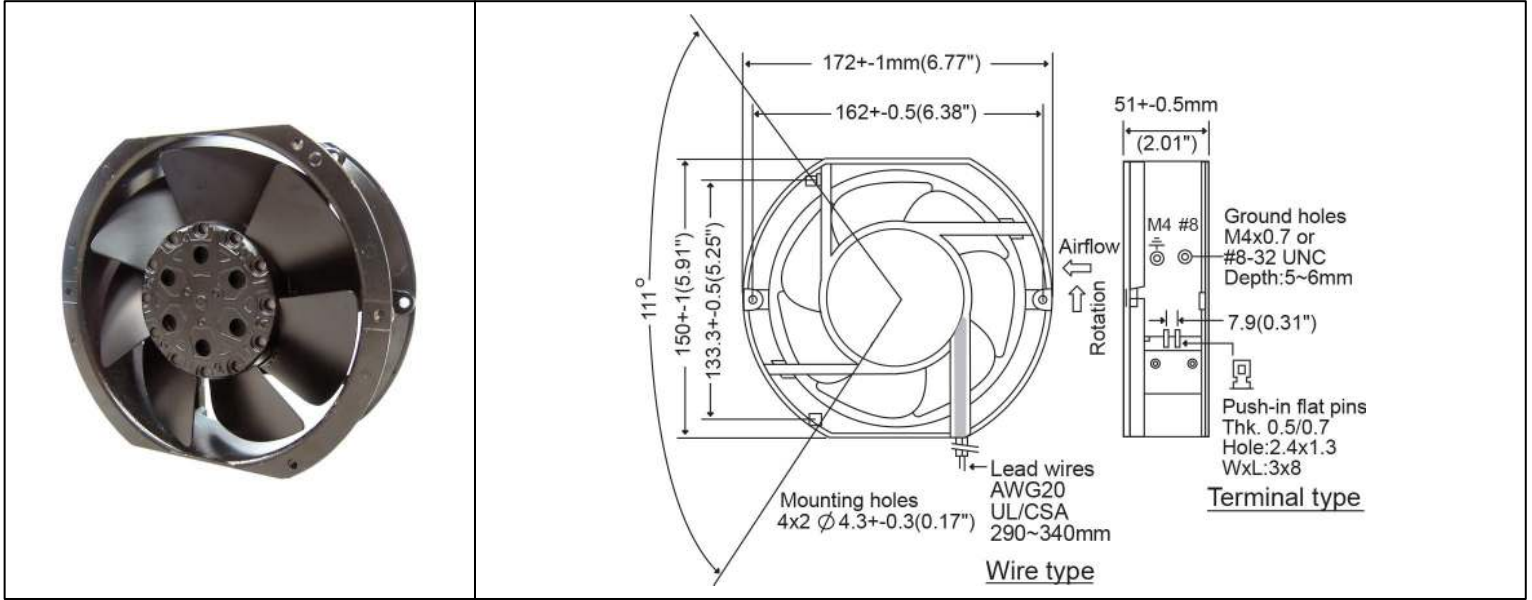


# OA172SAP All Metal Series



AC Fans - 115, 230V  
172mm x 150mm x 51mm (6.8" x 5.9" x 2.0")



<b>Frame</b>	Die Cast Aluminum, Black Painted or Natural Aluminum Finish	<b>Operating Temperature</b> -30°C ~ +80°C	
<b>Impeller</b>	Steel Alloy, Black Finish	<b>Storage Temperature</b> -40°C ~ +100°C	
<b>Connection</b>	2x Lead Wires, 20 AWG, or Terminals	<b>Life Expectancy</b> 50,000 Hours (L10 at 55°C)	
<b>Motor</b>	Capacitor Induction, Single Phase, Auto Cutoff, Auto Reset, Thermally Protected	<b>Installed Options</b> IP55 Rated Motor	
<b>Bearing System</b>	Ball Bearings	<b>Available Options</b> Dual Speed versions Other voltages	
<b>Dielectric Strength</b>	1500VAC/min, <5mA	<b>Weight:</b> 2.7 lbs.	
<b>Insulation Resistance</b>	≥100MΩ @ 500 VDC		

Part Number	Rated Voltage (Volts AC)	Voltage Range (Volts AC)	Frequency (Hertz)	Input Power (Watts)	Rated Speed (RPM)	Max Airflow (CFM)	Noise Level (dBA)	Max Static Pressure ("H <sub>2</sub> O)
OA172SAP-11-1*B1855	115	100 ~ 130	50 / 60	47 / 42	2750 / 3100	185 / 210	58	0.55 / 0.49
OA172SAP-11-2*B1855	115	100 ~ 130	50 / 60	35 / 32	2300 / 2400	150 / 160	48	0.45 / 0.38
OA172SAP-11-3*B1855	115	100 ~ 130	50 / 60	23 / 20	1500 / 1600	95 / 105	35	0.32 / 0.26
OA172SAP-22-1*B1855	230	200 ~ 260	50 / 60	47 / 42	2750 / 3100	185 / 210	58	0.55 / 0.49
OA172SAP-22-2*B1855	230	200 ~ 260	50 / 60	35 / 32	2300 / 2400	150 / 160	48	0.45 / 0.38
OA172SAP-22-3*B1855	230	200 ~ 260	50 / 60	23 / 20	1500 / 1600	95 / 105	35	0.32 / 0.26

\* Substitute "T" for Terminal connection type, or "W" for Wire Lead connection type.