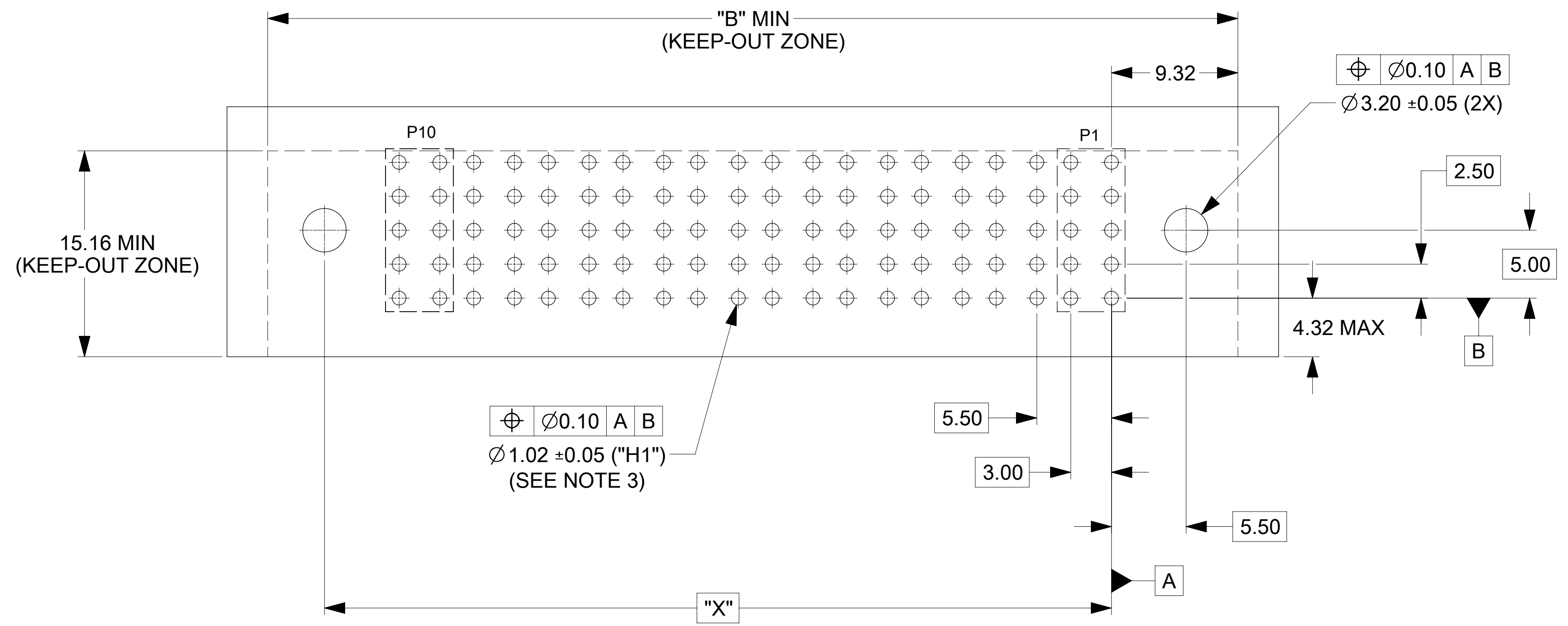
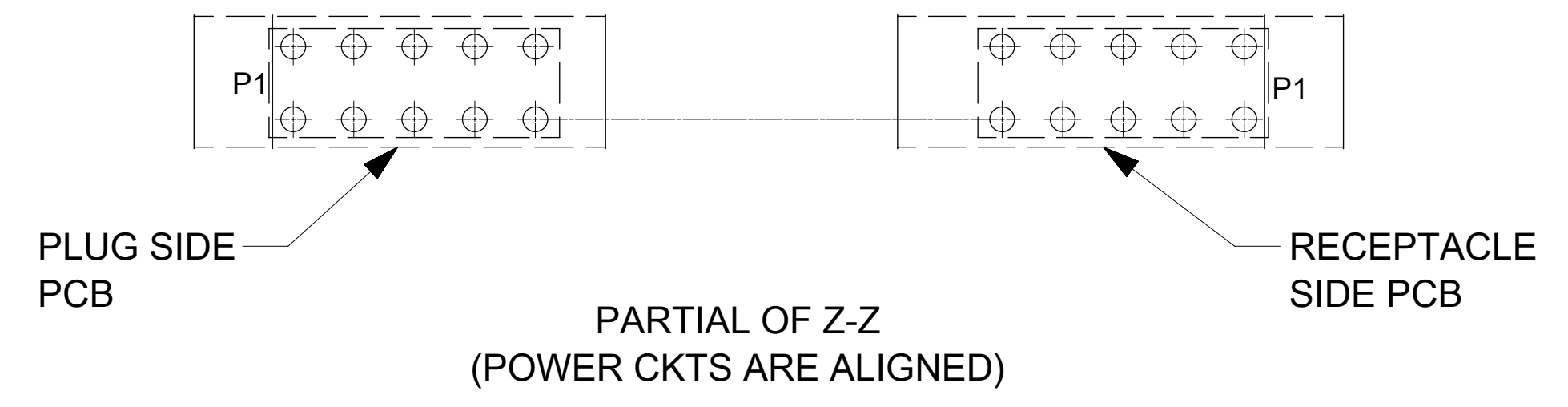
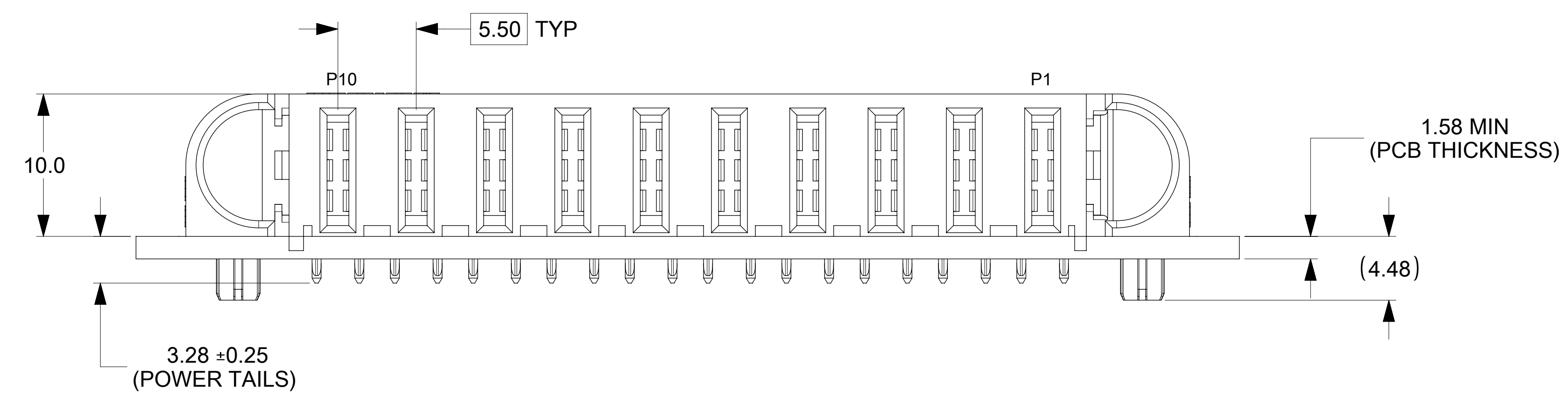


P/N : 46436-9310 (G-10P-G)



RECOMMENDED PCB LAYOUT AND KEEP-OUT ZONE FOR G-(1P TO 10P)-G

- NOTES:
- MATERIAL:
 - HOUSINGS: LCP UL94, V-0, COLOR: BLACK
 - TERMINALS: HIGH CONDUCTIVITY COPPER ALLOY
 - PLATING: 1.27 MICROMETER (50 MICROINCH) NICKEL OVERALL WITH 2.54 MICROMETER (100 MICROINCH) SELECTIVE TIN ON TAILS AND 0.762 MICROMETER (30 MICROINCH) SELECTIVE GOLD ON CONTACT AREA
 - PACKAGING: ASSEMBLIES TO BE TRAY PACKED PER PACKAGING SPEC: 464361001-PK
 - PLATED THRU HOLE SIZE, REFER TO PS-46436-100 FOR DETAILS
 - PRODUCT SPEC: PS-46436-100
 - APPLICATION SPEC: AS-46436-100
 - PRODUCT TO MEET RoHS REQUIREMENTS
 - ASSEMBLY MATES TO MOLEX PLUG ASSEMBLY P/N 46437-**** (SEE TABLE IN SHEET 2)
 - TAIL DESIGN: COMPLIANT TAILS
 - POWER CONTACTS ARE LUBRICATED.
 - MOLEX LOGO TO BE LOCATED APPROXIMATELY AS SHOWN.

THIS DRAWING CONTAINS INFORMATION THAT IS PROPRIETARY TO MOLEX ELECTRONIC TECHNOLOGIES, LLC AND SHOULD NOT BE USED WITHOUT WRITTEN PERMISSION									
DIMENSION UNITS	SCALE	CURRENT REV DESC: ADDED ISOMETRIC VIEWS							
mm	4:1								
GENERAL TOLERANCES (UNLESS SPECIFIED)									
ANGULAR TOL	± 0.5°								
4 PLACES	±	EC NO: 689821							
3 PLACES	±	DRWN: HARSHG	2021/12/13						
2 PLACES	± 0.13	CHK'D: GJEEVANSURES	2021/12/22						
1 PLACE	± 0.25	APPR: HTHYAGARAJ	2022/02/14						
0 PLACES	±	INITIAL REVISION:							
DRAFT WHERE APPLICABLE MUST REMAIN WITHIN DIMENSIONS		DRWN: KSUTAR	2021/08/17						
		APPR: HTHYAGARAJ	2021/10/21						
THIRD ANGLE PROJECTION		DRAWING	SERIES	MATERIAL NUMBER	CUSTOMER	SHEET NUMBER			
		D-SIZE	46436	SEE TABLE	GENERAL MARKET	1 OF 3			

molex

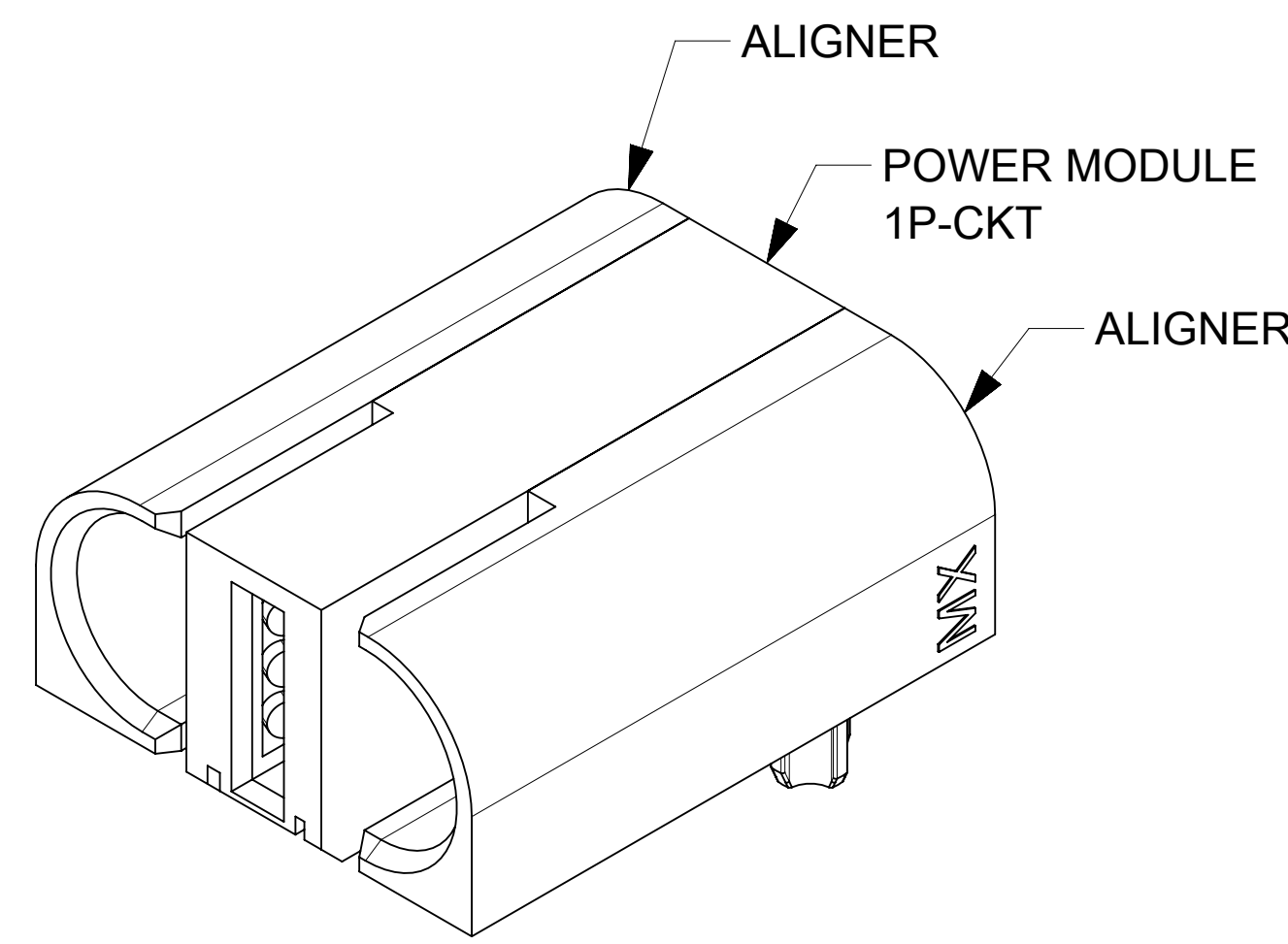
G-*P-G
R/A RECEP ASSY - TEN60 POWER FAMILY

PRODUCT CUSTOMER DRAWING

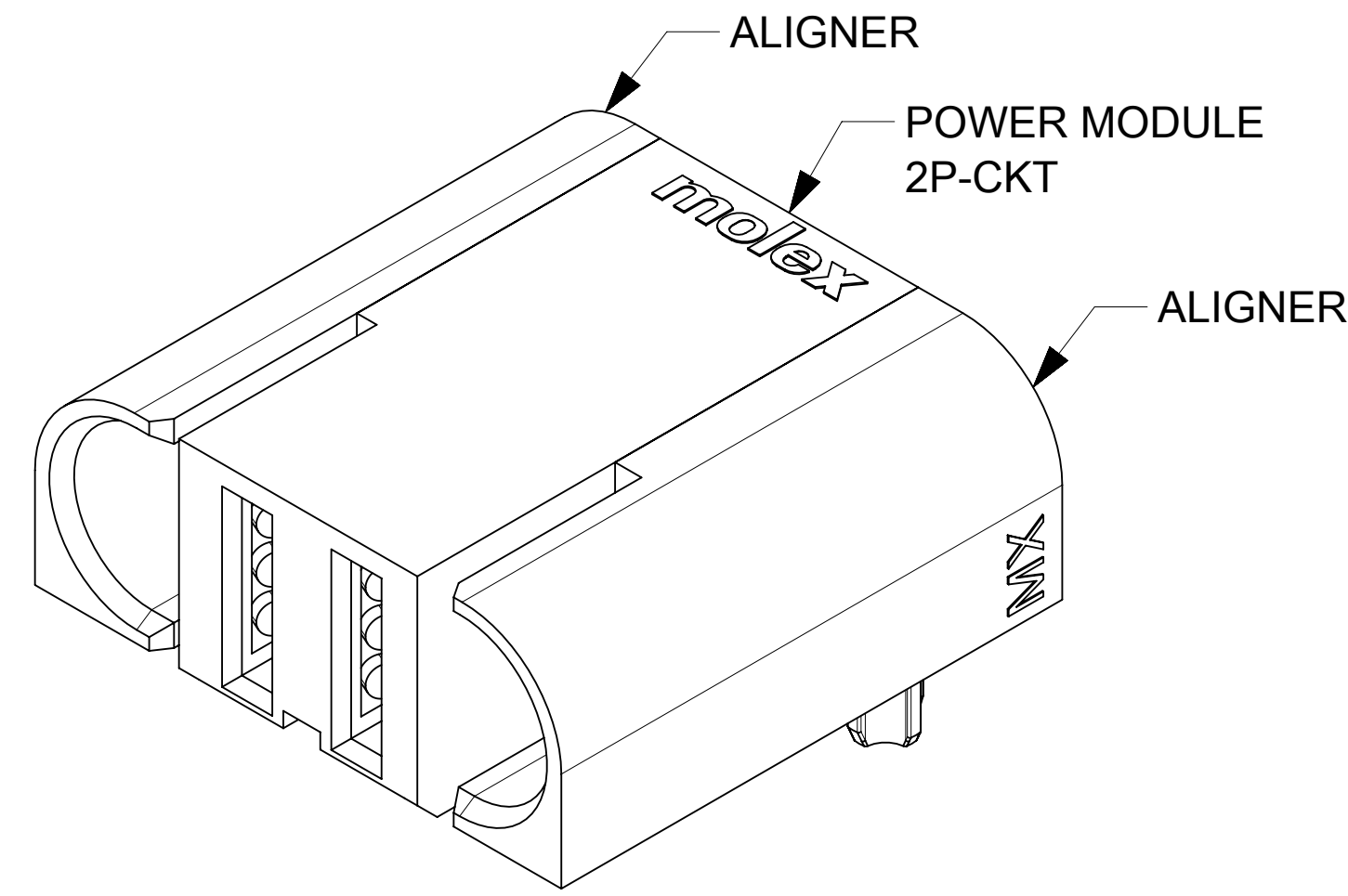
DOCUMENT NUMBER	DOC TYPE	DOC PART	REVISION
464369310	PSD	000	A1

REFER TO BELOW TABLE FOR DIMENSIONS.

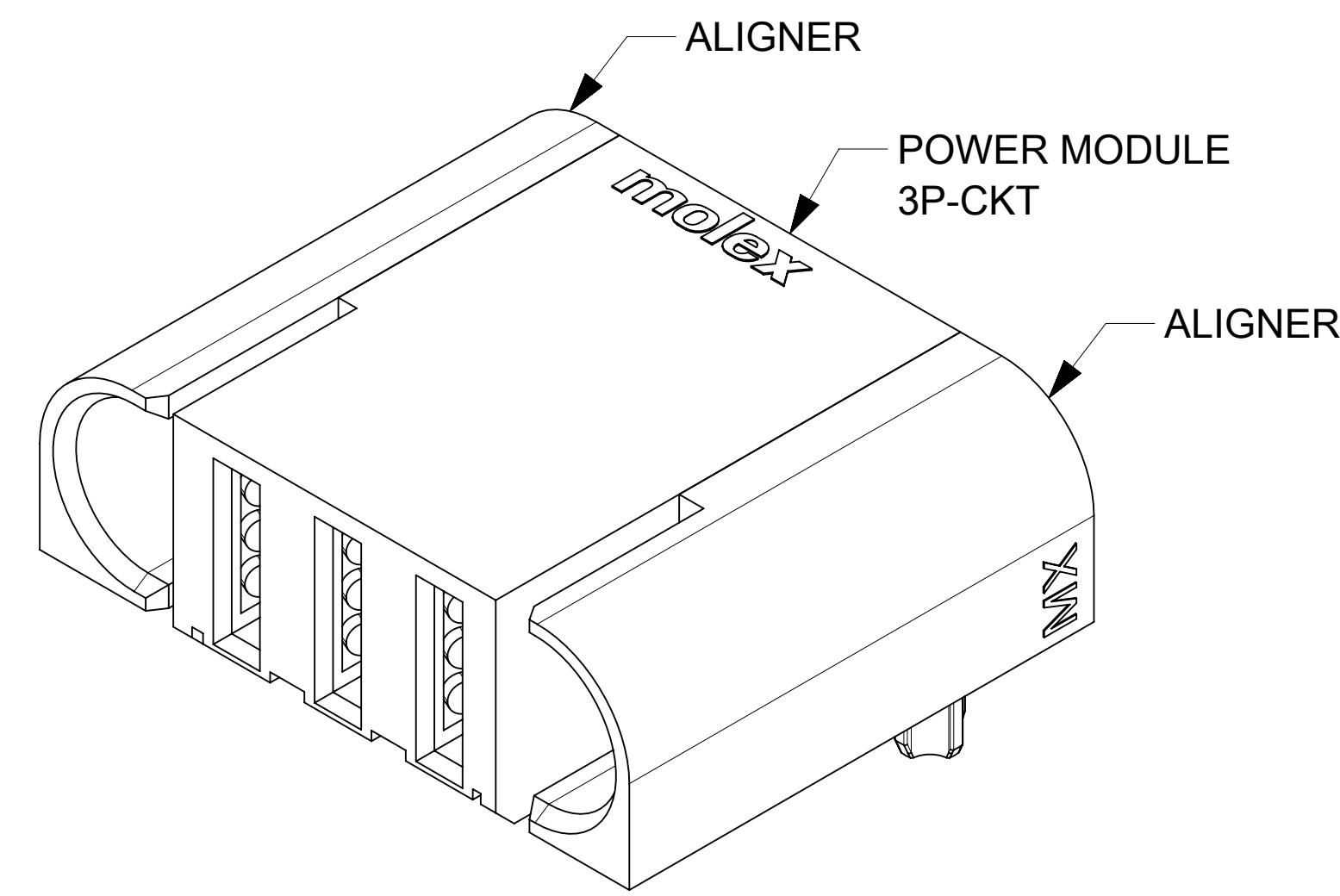
FG P/N	CONFIGURATION	POWER CKT SIZE	DIM "A" (IN MM)	DIM "B" (IN MM)	DIM "X" (IN MM)	HOLES COUNT "H1"	MATES WITH R/A PLUG ASSY P/N
464369301	G-1P-G	1	21.00	22.00	8.50	10	464379301
464369302	G-2P-G	2	26.50	27.50	14.00	20	464379302
464369303	G-3P-G	3	32.00	33.00	19.50	30	464379303
464369304	G-4P-G	4	37.50	38.50	25.00	40	464379304
464369305	G-5P-G	5	43.00	44.00	30.50	50	464379305
464369306	G-6P-G	6	48.50	49.50	36.00	60	464379306
464369307	G-7P-G	7	54.00	55.00	41.50	70	464379307
464369308	G-8P-G	8	59.50	60.50	47.00	80	464379308
464369309	G-9P-G	9	65.00	66.00	52.50	90	464379309
464369310	G-10P-G	10	70.50	71.50	58.00	100	464379310



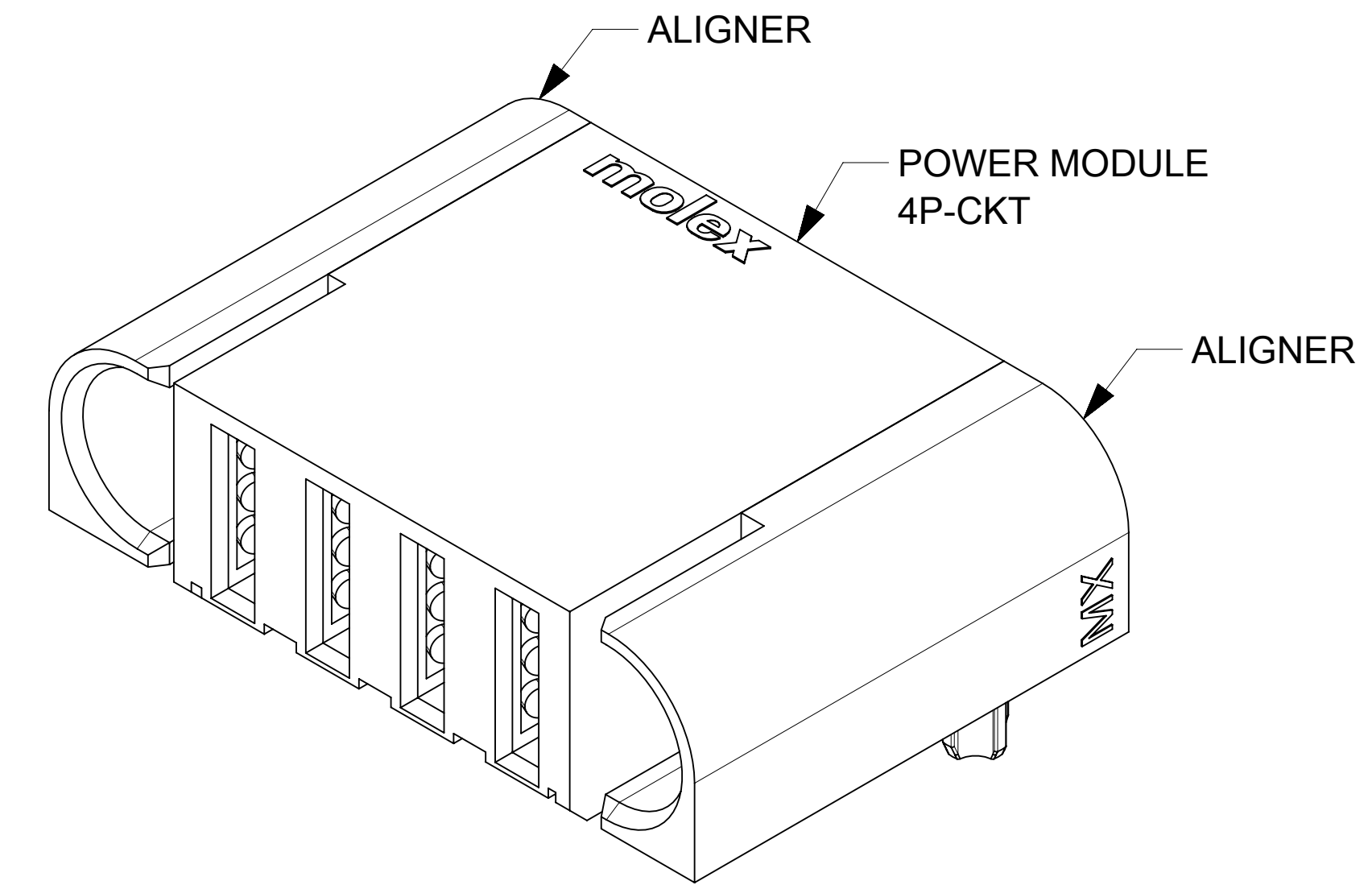
P/N : 46436-9301 (G-1P-G)



P/N : 46436-9302 (G-2P-G)

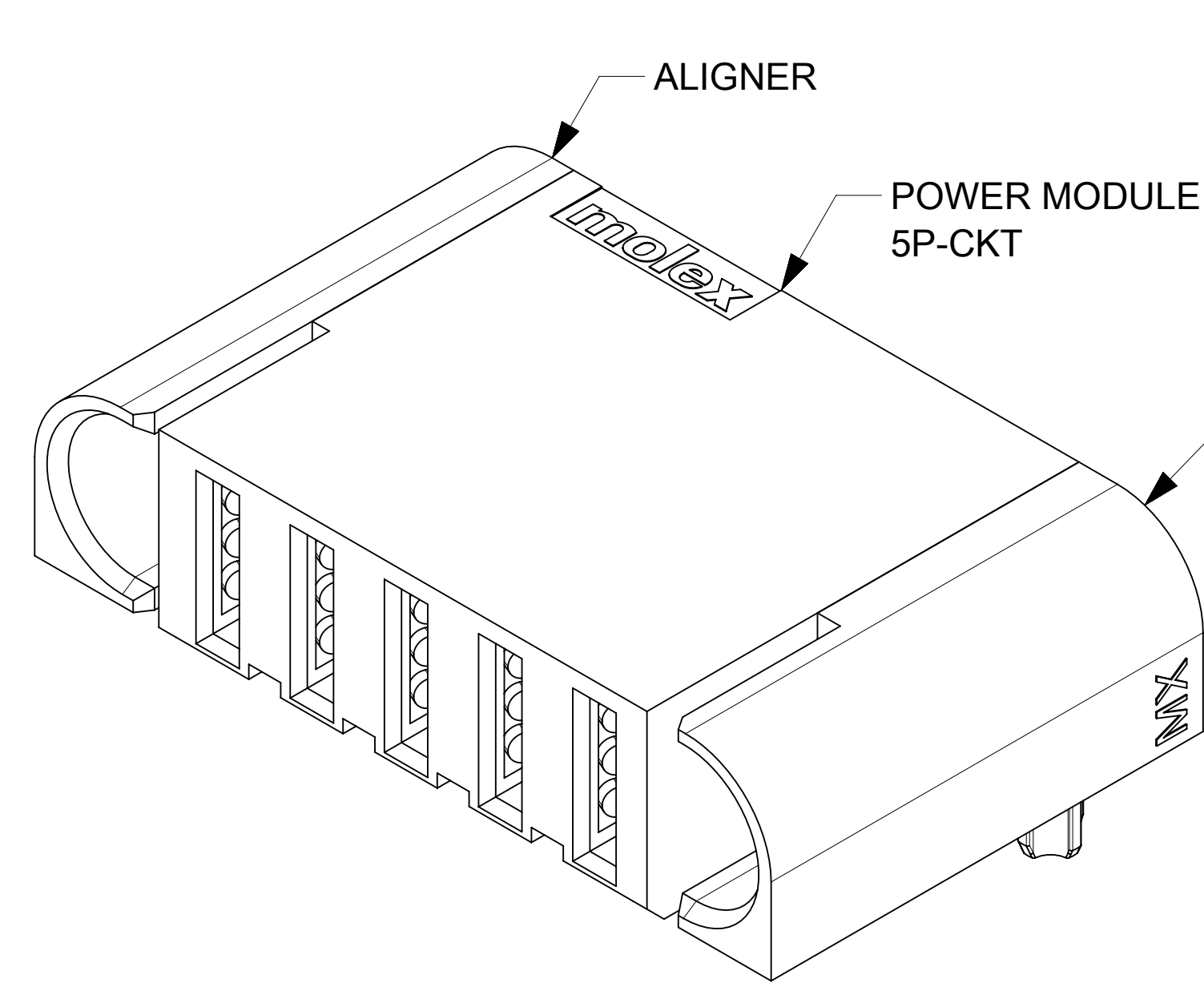


P/N : 46436-9303 (G-3P-G)

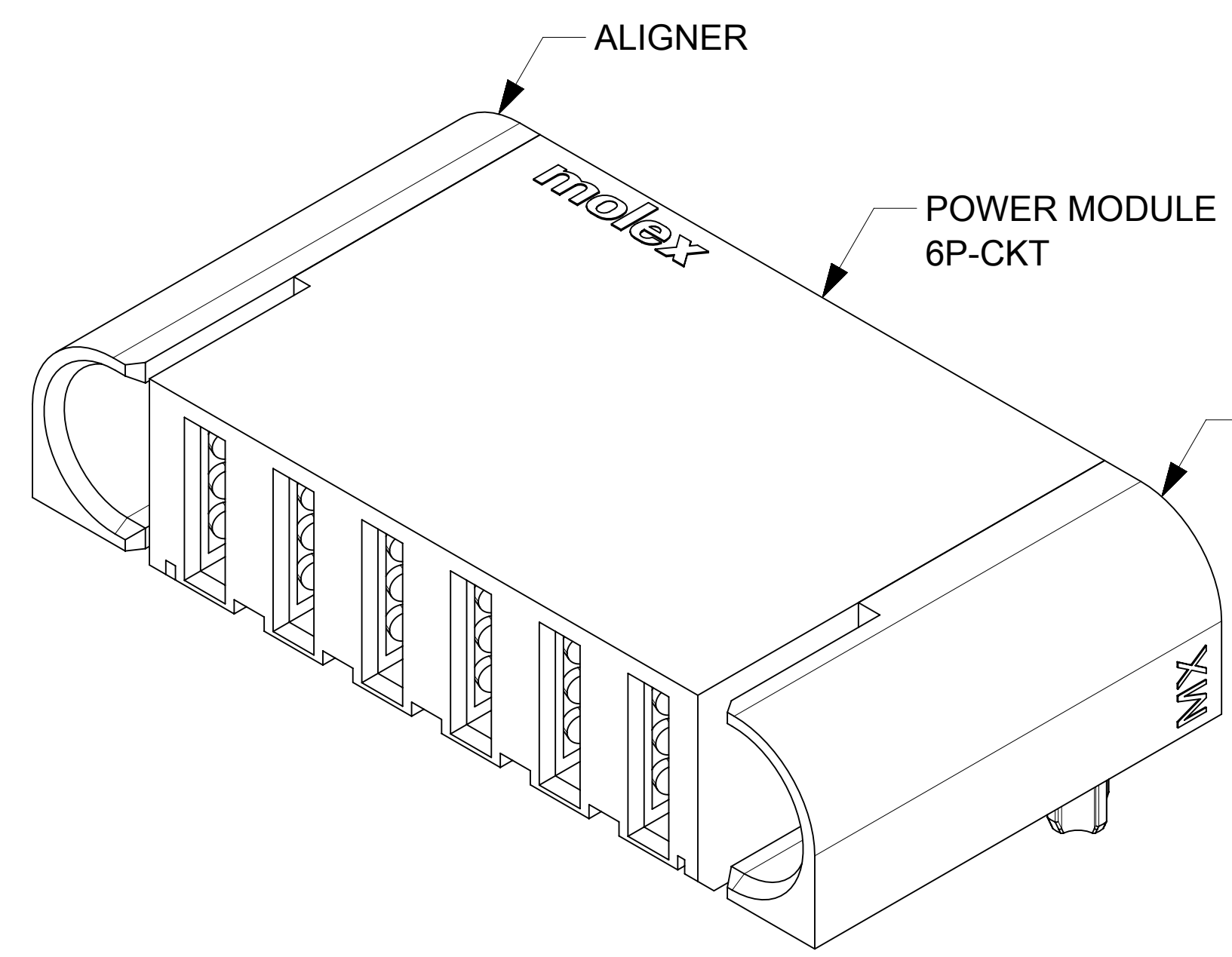


P/N : 46436-9304 (G-4P-G)

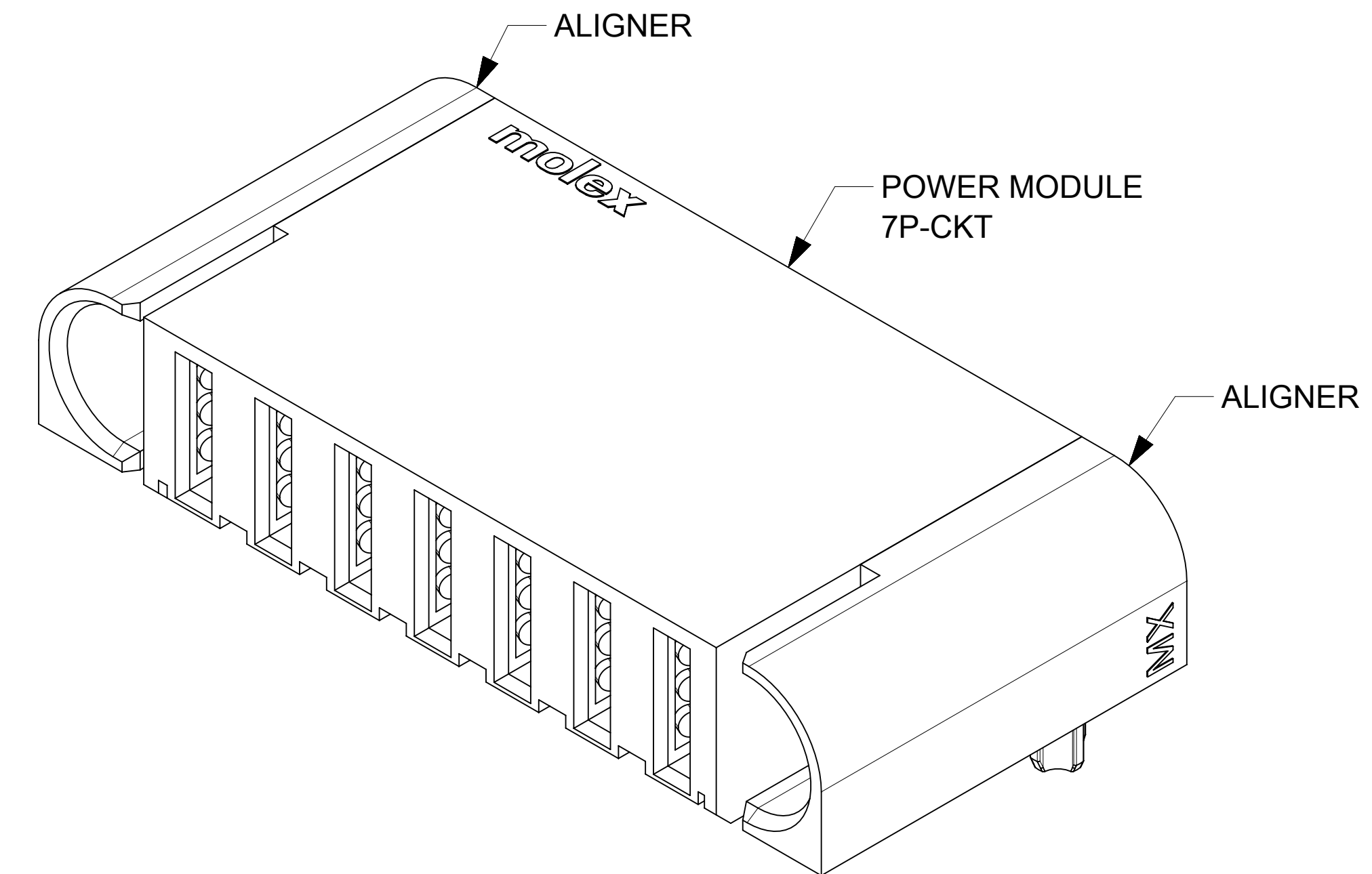
THIS DRAWING CONTAINS INFORMATION THAT IS PROPRIETARY TO MOLEX ELECTRONIC TECHNOLOGIES, LLC AND SHOULD NOT BE USED WITHOUT WRITTEN PERMISSION											
DIMENSION UNITS		SCALE		CURRENT REV DESC: ADDED ISOMETRIC VIEWS							
mm		4:1									
GENERAL TOLERANCES (UNLESS SPECIFIED)				EC NO: 689821							
ANGULAR TOL ± 0.5°				DRWN: HARSHG 2021/12/13							
4 PLACES ±				CHK'D: GJEEVANSURES 2021/12/22							
3 PLACES ±				APPR: HTHYAGARAJ 2022/02/14							
2 PLACES ± 0.13				INITIAL REVISION:							
1 PLACE ± 0.25				DRWN: KSUTAR 2021/08/17							
0 PLACES ±				APPR: HTHYAGARAJ 2021/10/21							
DRAFT WHERE APPLICABLE MUST REMAIN WITHIN DIMENSIONS				THIRD ANGLE PROJECTION		DRAWING		SERIES		DOCUMENT NUMBER	
						D-SIZE		46436		464369310	
								MATERIAL NUMBER		CUSTOMER	
								SEE TABLE		GENERAL MARKET	
										SHEET NUMBER	
										2 OF 3	



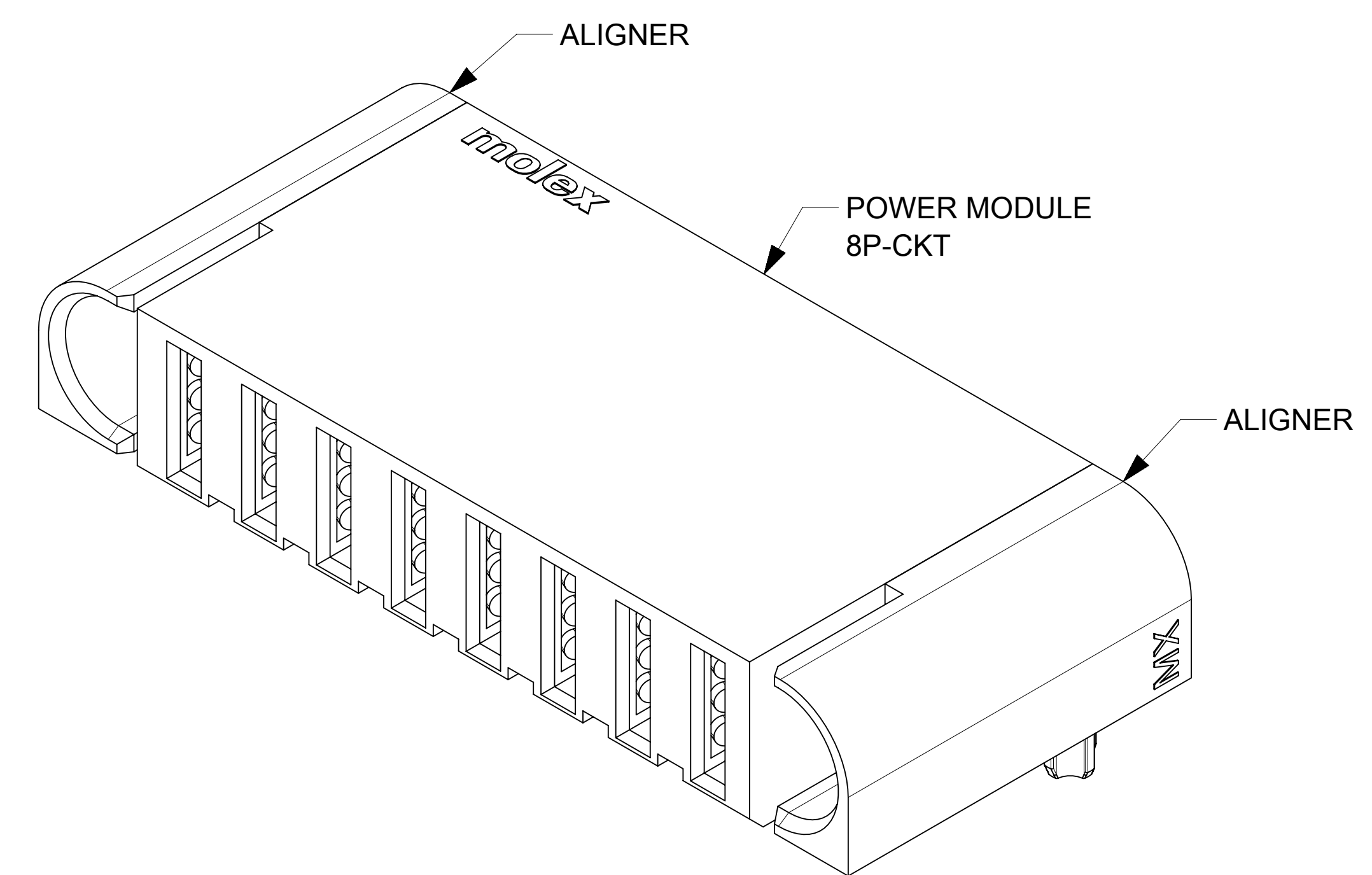
P/N : 46436-9305 (G-5P-G)



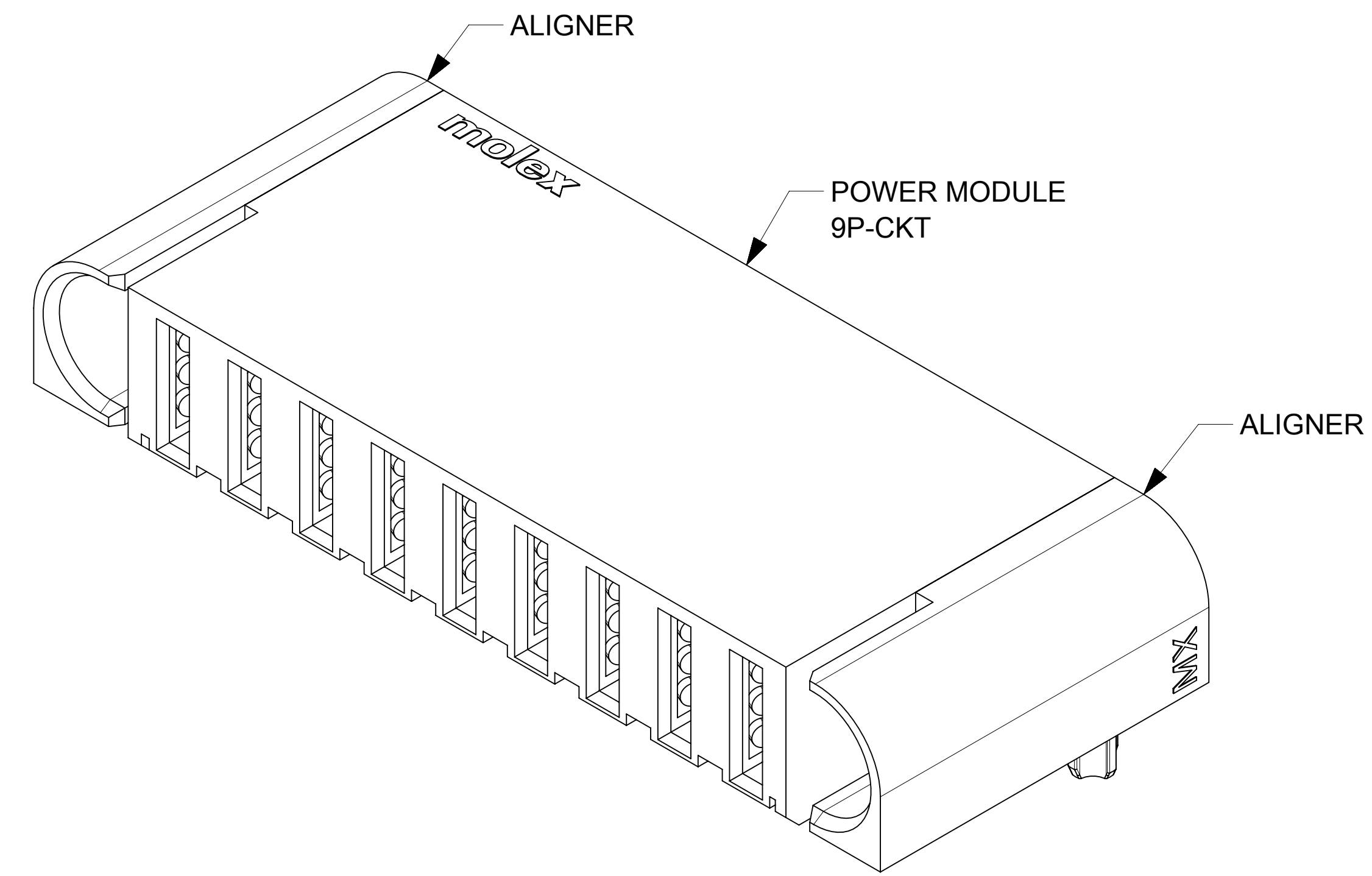
P/N : 46436-9306 (G-6P-G)



P/N : 46436-9307 (G-7P-G)



P/N : 46436-9308 (G-8P-G)



P/N : 46436-9309 (G-9P-G)

THIS DRAWING CONTAINS INFORMATION THAT IS PROPRIETARY TO MOLEX ELECTRONIC TECHNOLOGIES, LLC AND SHOULD NOT BE USED WITHOUT WRITTEN PERMISSION											
DIMENSION UNITS		SCALE		CURRENT REV DESC: ADDED ISOMETRIC VIEWS							
mm		4:1		<p>molex</p> <p>G-*P-G R/A RECEP ASSY - TEN60 POWER FAMILY</p> <p>PRODUCT CUSTOMER DRAWING</p> <p>DOCUMENT NUMBER: 464369310 DOC TYPE: PSD DOC PART: 000 REVISION: A1</p> <p>MATERIAL NUMBER: SEE TABLE CUSTOMER: GENERAL MARKET SHEET NUMBER: 3 OF 3</p>							
GENERAL TOLERANCES (UNLESS SPECIFIED)											
ANGULAR TOL ± 0.5°											
4 PLACES ±		EC NO: 689821									
3 PLACES ±		DRWN: HARSHG 2021/12/13									
2 PLACES ± 0.13		CHK'D: GJEEVANSURES 2021/12/22									
1 PLACE ± 0.25		APPR: HTHYAGARAJ 2022/02/14									
0 PLACES ±		INITIAL REVISION:									
DRAFT WHERE APPLICABLE		DRWN: KSUTAR 2021/08/17									
MUST REMAIN WITHIN DIMENSIONS		APPR: HTHYAGARAJ 2021/10/21									
THIRD ANGLE PROJECTION		DRAWING		SERIES		MATERIAL NUMBER		CUSTOMER		SHEET NUMBER	
D		D-SIZE		46436		SEE TABLE		GENERAL MARKET		3 OF 3	