

1452601-1 ✓ ACTIVE

AMP | [Get .64 Connector System](#)

TE Internal #: 1452601-1

Housing for Male Terminals, Wire-to-Wire, 2 Position, .1 in [2.54 mm] Centerline, Black, Wire & Cable, Signal, Get .64 Connector System

[View on TE.com >](#)



Connectors > Automotive Connectors > Automotive Housings > GET .64 CONNECTOR SYSTEM, CONNECTOR HSG



Connector & Housing Type: **Housing for Male Terminals**

Connector System: **Wire-to-Wire**

Number of Positions: **2**

Centerline (Pitch): **2.54 mm [.1 in]**

Sealable: **No**

[All GET .64 CONNECTOR SYSTEM, CONNECTOR HSG \(114\)](#)

Features

Product Type Features

Connector Shape	Rectangular
Connector & Housing Type	Housing for Male Terminals
Connector System	Wire-to-Wire
Sealable	No
Hybrid Connector	No
Primary Locking Feature	On the Terminal
Connector & Contact Terminates To	Wire & Cable

Configuration Features

Number of Positions	2
Number of Rows	1

Electrical Characteristics

Operating Voltage	14 VDC
Nominal Voltage Architecture	12 V, 24 V

Body Features

Cable Exit Angle	180°
Primary Product Color	Black
Connector & Keying Code	Neutral



Contact Features

Contact Size	.64mm
Contact Type	Tab
Contact Current Rating (Max)	7.5 A

Mechanical Attachment

Terminal Position Assurance	Yes
Strain Relief	Without
Mating Alignment Type	Polarizing Slot
Mating Alignment	With
Connector Mounting Type	Cable Mount (Free-Hanging)

Housing Features

Housing Material	PA GF
Centerline (Pitch)	2.54 mm[.1 in]

Dimensions

Connector Height	10.3 mm[.406 in]
Product Width	35 mm[1.378 in]
Product Length	10.95 mm[.431 in]

Usage Conditions

Operating Temperature (Max)	120 °C[248 °F]
Operating Temperature Range	-40 – 120 °C[-40 – 248 °F]

Operation/Application

Circuit Application	Signal
---------------------	--------

Packaging Features

Packaging Quantity	2000
Packaging Method	Package

Other

Serviceable	Yes
Connector Position Assurance Capable	No

Product Compliance

[For compliance documentation, visit the product page on TE.com>](#)



EU RoHS Directive 2011/65/EU	Compliant
EU ELV Directive 2000/53/EC	Compliant
China RoHS 2 Directive MIIT Order No 32, 2016	No Restricted Materials Above Threshold
EU REACH Regulation (EC) No. 1907/2006	Current ECHA Candidate List: JUNE 2023 (235) Candidate List Declared Against: JUNE 2023 (235) Does not contain REACH SVHC
Halogen Content	BFR/CFR/PVC Free, but Br/Cl >900 ppm in other sources.
Solder Process Capability	Not applicable for solder process capability

Product Compliance Disclaimer

This information is provided based on reasonable inquiry of our suppliers and represents our current actual knowledge based on the information they provided. This information is subject to change. The part numbers that TE has identified as EU RoHS compliant have a maximum concentration of 0.1% by weight in homogenous materials for lead, hexavalent chromium, mercury, PBB, PBDE, DBP, BBP, DEHP, DIBP, and 0.01% for cadmium, or qualify for an exemption to these limits as defined in the Annexes of Directive 2011/65/EU (RoHS2). Finished electrical and electronic equipment products will be CE marked as required by Directive 2011/65/EU. Components may not be CE marked. Additionally, the part numbers that TE has identified as EU ELV compliant have a maximum concentration of 0.1% by weight in homogenous materials for lead, hexavalent chromium, and mercury, and 0.01% for cadmium, or qualify for an exemption to these limits as defined in the Annexes of Directive 2000/53/EC (ELV). Regarding the REACH Regulation, the information TE provides on SVHC in articles for this part number is based on the latest European Chemicals Agency (ECHA) 'Guidance on requirements for substances in articles' posted at this URL: <https://echa.europa.eu/guidance-documents/guidance-on-reach>

Compatible Parts



TE Part # 1452598-1
2 POS. GET FEMALE ASSY




TE Part # 1452625-1
GET HEADER 2POS. ASSY




TE Part # CAT-G3353-T273
GET .64 CONNECTOR SYSTEM, RECEPT AND TAB

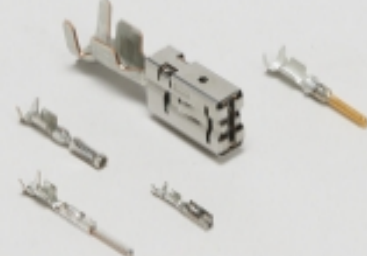
Also in the Series | Get .64 Connector System




Automotive Connector Caps & Covers (7)



Automotive Housings(118)



Automotive Terminals(30)

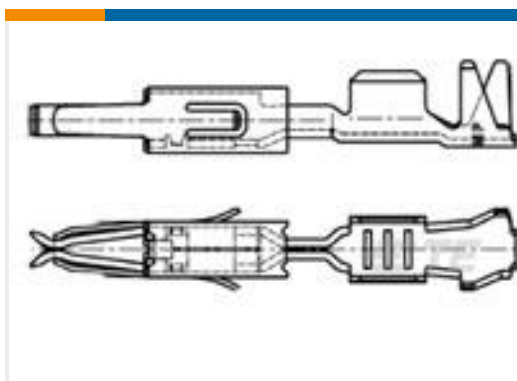
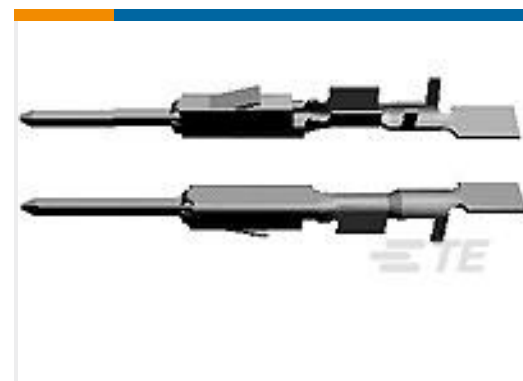


Insertion & Extraction Tools(1)



PCB Headers & Receptacles(1)

Customers Also Bought

TE Part #1534027-1
MOS VERRIEGLUNG F2PTE Part #1456985-1
1X6 Fem unsealed LP assy Key BTE Part #936233-1
MULTILOCK, CONNECTOR HOUSINGTE Part #1924968-3
Contact, male 0.64, 20 to 22 AWGTE Part #964261-2
MT2 A REC 1.6 Contact SRC SnTE Part #6-928918-1
MOS0,63 Sn tab LL unseal. 0,2-0,35TE Part #8-1633738-7
CRIMPER, WIRE FTE Part #776310-2
SECONDARY LOCK, J1939, TIN
VERSION

Documents

Product Drawings

2 POS. GET MALE-HSG.,ASSY

English

CAD Files

3D PDF

English

Customer View Model

[ENG_CVM_1452601-1_B.2d_dxf.zip](#)

English

Customer View Model

[ENG_CVM_1452601-1_B.3d_igs.zip](#)

English

Customer View Model

[ENG_CVM_1452601-1_B.3d_stp.zip](#)

English

By downloading the CAD file I accept and agree to the [Terms and Conditions](#) of use.

1452601-1

Housing for Male Terminals, Wire-to-Wire, 2 Position, .1 in [2.54 mm] Centerline,
Black, Wire & Cable, Signal, Get .64 Connector System



[Datasheets & Catalog Pages](#)

[GET 0.64 Interconnection System](#)

English