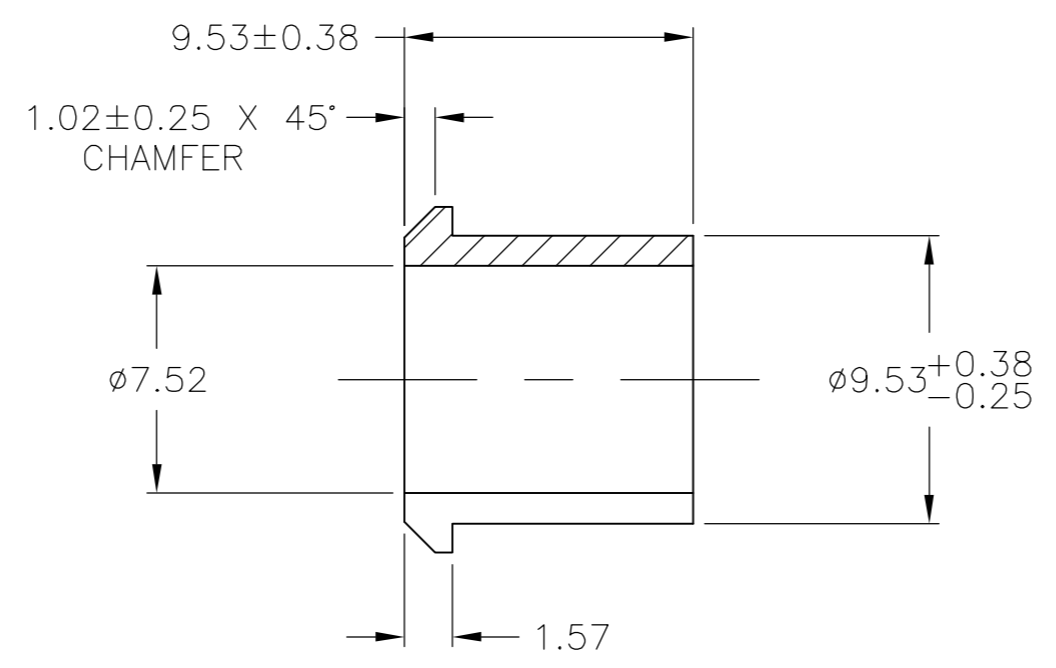
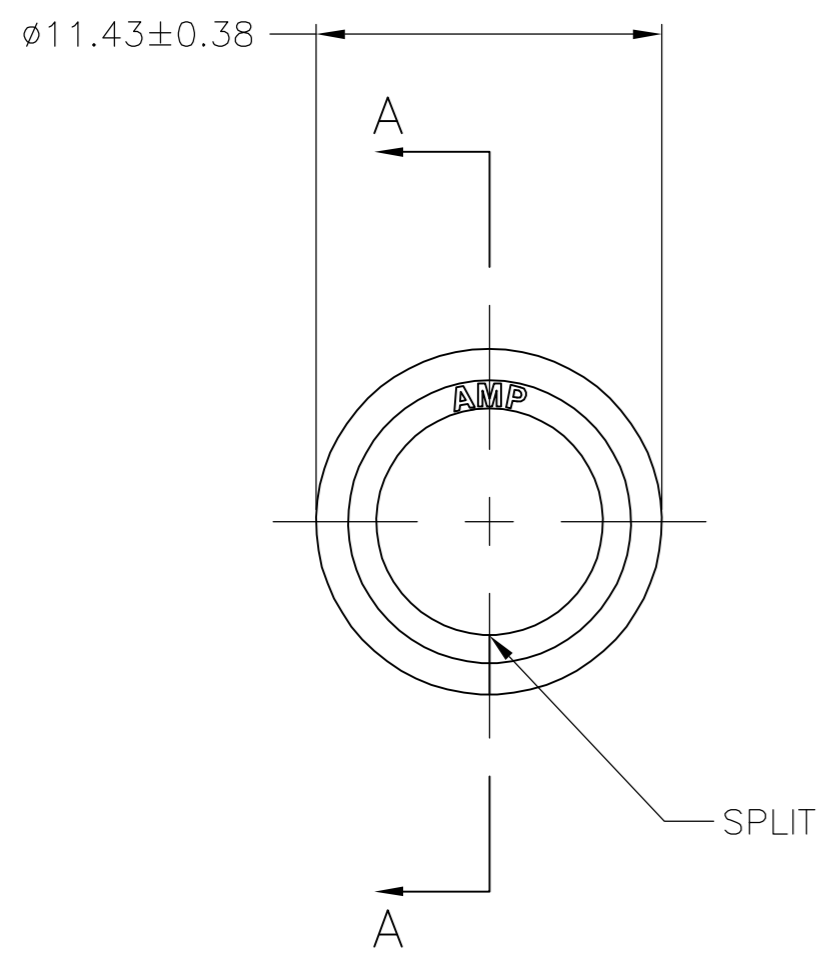
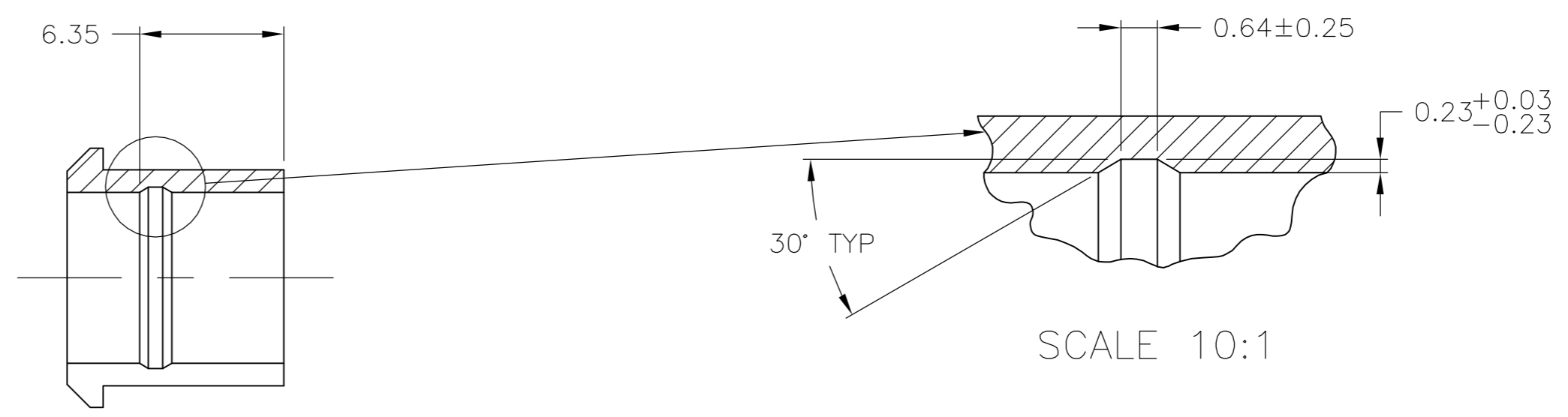
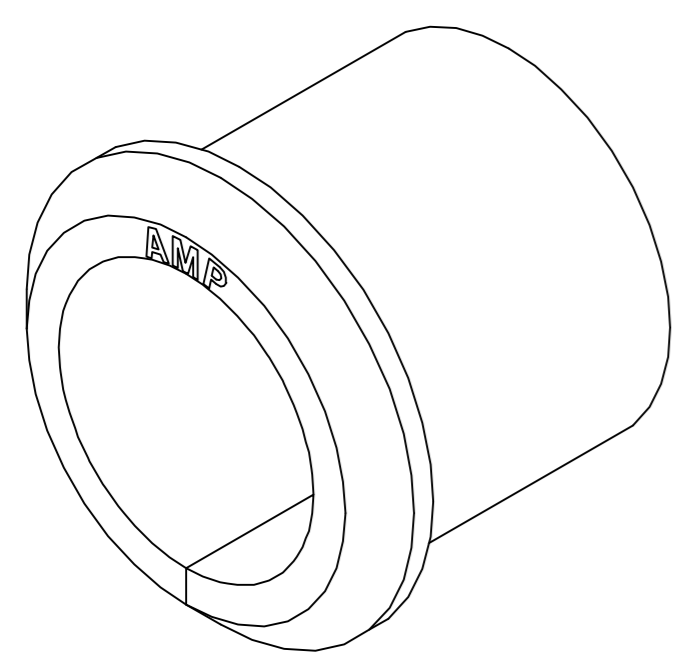


THIS DRAWING IS UNPUBLISHED. RELEASED FOR PUBLICATION
 © COPYRIGHT BY TYCO ELECTRONICS CORPORATION. ALL RIGHTS RESERVED.

LOC		DIST		REVISIONS			
P	LTR	DESCRIPTION		DATE	DWN	APVD	
		F		ECO-06-012706	07JUN06	BSV	JR



1. USE WITH STRAIN RELIEF 350373.
2. MOLDING COMPOUND PVC,FLEXIBLE, 55/75 DUROMETER (B SCALE),BLACK.
3. MOLDING COMPOUND PVC,FLEXIBLE,BLACK.



3-DIMENSIONAL MODEL NTS

SECTION A-A
OPTIONAL CONSTRUCTION

SUPERCEDED BY 2-350375-0	3	2-350375-0
	2	1-350375-0
	MATERIAL	PART NUMBER

MM	IN	MM	IN	MM	IN
0.25	.010	1.57	.062	11.43	.450
0.23	.009	1.02	.040	9.53	.375
0.13	.005	0.64	.025	7.52	.296
0.03	.001	0.38	.015	6.35	.250
MM	IN	MM	IN	MM	IN

CONVERSION TABLE

METRIC

THIS DRAWING IS A CONTROLLED DOCUMENT.		DWN	23MAR06	tyco Electronics		Tyco Electronics Corporation Harrisburg, Pa 17105-3608	
DIMENSIONS: mm		CHK	23MAR06	NAME		GROMMET,SPLIT,M.R.	
TOLERANCES UNLESS OTHERWISE SPECIFIED:		APVD	23MAR06	PRODUCT SPEC		-	
0 PLC ± -		APPLICATION SPEC		-		-	
1 PLC ± -		WEIGHT		-		-	
2 PLC ± -		CUSTOMER DRAWING		SCALE 4:1		SHEET 1 OF 1	
3 PLC ± 0.13		SCALE		4:1		REV F	
4 PLC ± -		SHEET		1 OF 1		REV F	
ANGLES ± 1'0"		DRAWING NO		C=350375		RESTRICTED TO	
FINISH		SIZE		A2		-	
MATERIAL		CAGE CODE		00779		-	
SEE TABLE		DRAWING NO		C=350375		-	

350375