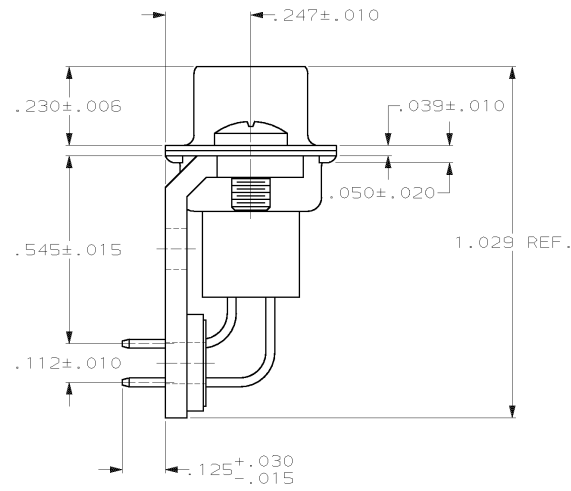


LOC	DIST	REVISIONS					
GP	00	P	LTR	DESCRIPTION	DATE	OWN	APVD
		H		REVISED PER EC 0513-0012-03	08MAY03	JG	SB

- CONNECTOR MATES WITH ANY 37 POS. RECEPTACLE IN AMPLIMITE SERIES & COMPLIES WITH AMP SPEC. 108-40,005 WHERE APPLICABLE.
- FLAME RETARDANT 94V-0 RATED THERMOPLASTIC; COLOR: BLACK.
- STEEL PER ASTM A109.
- BRASS PER MIL-C-50.
- TIN PLATING PER MIL-T-10727, GOLD PLATING PER MIL-6-45204, NICKEL PLATING PER QQ-N-290.
- TIN PLATED.
- GOLD PLATED FOR LENGTH OF .150 MIN FROM MATING END, GOLD FLASH IN MATED AREA, .000100 MIN TIN-LEAD ON OPPOSITE END, BOTH OVER .000050 MIN NICKEL.
- GOLD PLATED FOR LENGTH OF .150 MIN FROM MATING END, .000030 MIN GOLD IN MATED AREA, .000100 MIN TIN-LEAD ON OPPOSITE END, BOTH OVER .000050 MIN NICKEL.



	745354-4
OBSOLETE	745354-3
SUPSD BY 745354-4	745354-2
SUPSD BY 745354-4	745354-1

CONTACT FINISH	PART NUMBER

THIS DRAWING IS A CONTROLLED DOCUMENT.		DRN J. GERACE 12-16-93	AMP Incorporated Harrisburg, PA 17105-3608
DIMENSIONS: INCHES		CHK J. GERACE 12-16-93	
TOLERANCES UNLESS OTHERWISE SPECIFIED:		APVD P. SWENIGARD 3-15-94	NAME PLUG ASSEMBLY, SIZE 4, 37 POS, RIGHT ANGLE, .545 SERIES, .025 SQ POSTS, AMPLIMITE HDP
0 PLC ±.005 1 PLC ±.005 2 PLC ±.005 3 PLC ±.005 4 PLC ±.005 ANGLES ±.2°		PRODUCT SPEC APPLICATION SPEC	SIZE A2
MATERIAL: MOULDED PARTS: SHELLS & BRACKETS: CONTACTS: SEE TABLE		FINISH: WEIGHT: -	CAGE CODE 00779
DRAWING NO C-745354		CUSTOMER DRAWING	SCALE 4:1
SHEET 1 OF 1		REV H	