



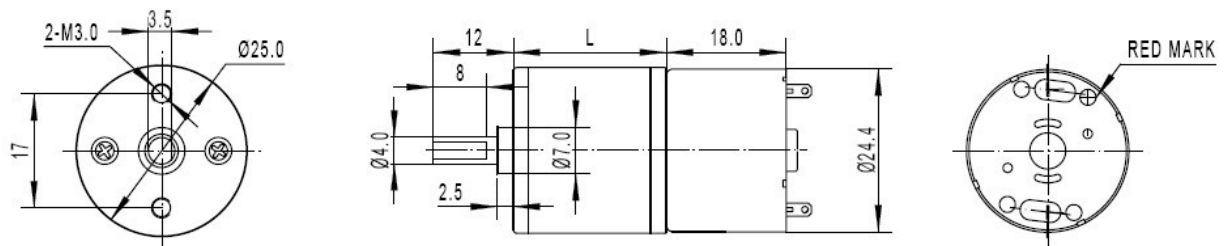
# Metal DC Geared Motor - 6V 20RPM 7.5Kg.cm

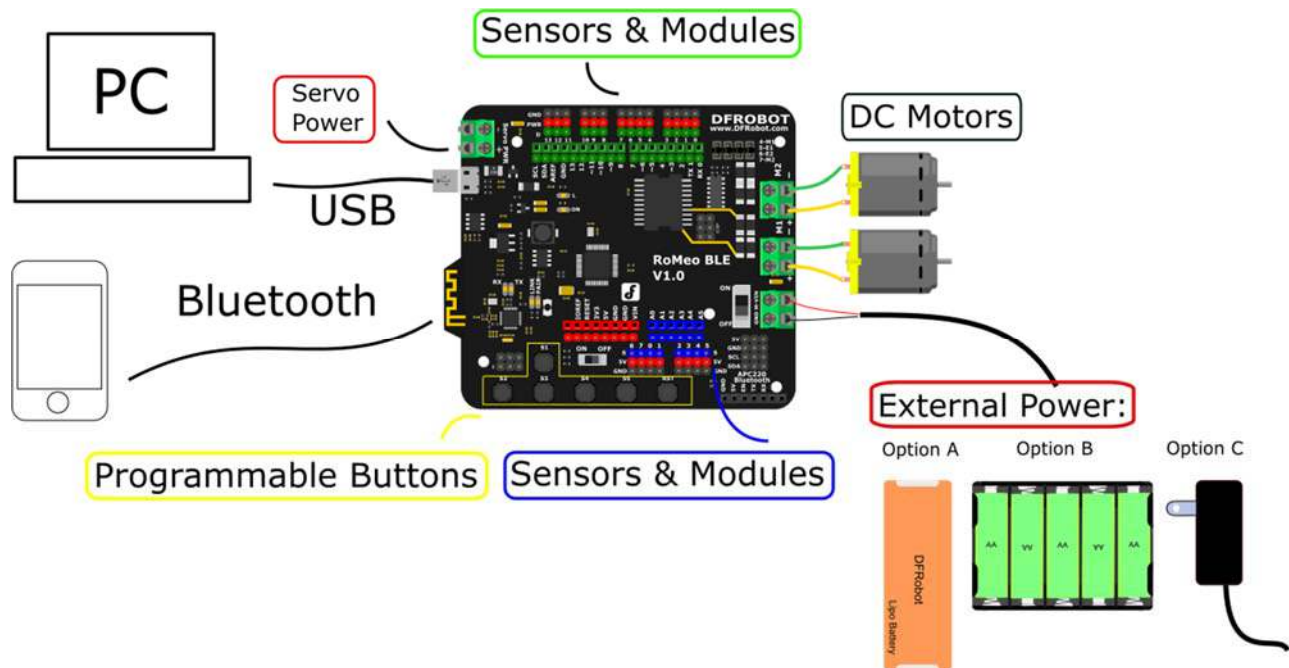
SKU:FIT0495-B



## INTRODUCTION

This is a metal DC geared motor, 362:1 metal reducer. It has a small size and large torque. The maximum torque could arrive 7.5 kg.cm. It is stable and durable!





## SPECIFICATION

- Rated Voltage: 6 V
- Operating Voltage Range 2~7.5V
- Gear reduction ratio: 362:1
- Gearbox length: 27 mm
- "D" shape shaft diameter: 4 mm
- No-load speed: 20 RPM @ 6V
- No-load current: 50 mA
- Locked-rotor torque: 7.5 Kg.cm
- Locked-rotor current: 0.6 A
- Operating Temperature: -20~60°C
- Weight: 74 g

## SHIPPING LIST

- Metal DC Geared Motor - 6V 20RPM 7.5Kg.cm x1