

TWIN PLASTIC PEG TYPE

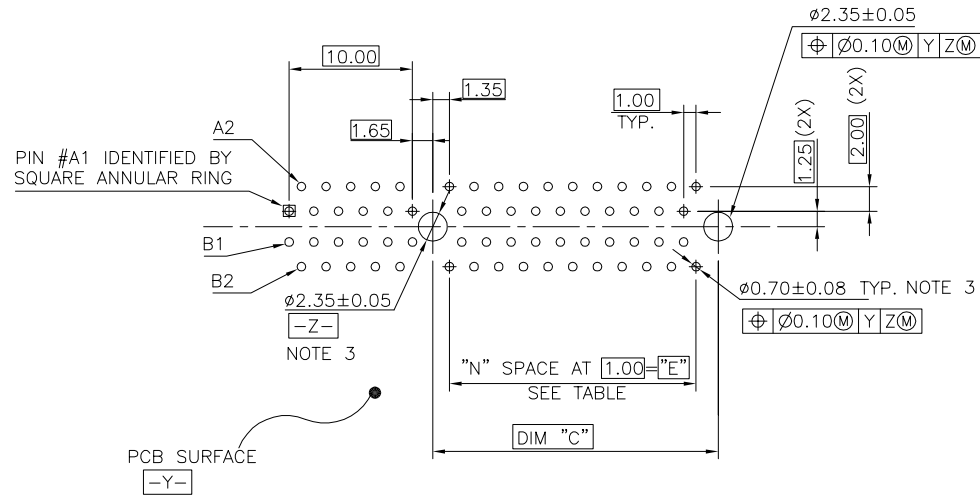
mat'l. code		surface 58	tolerance	projection	product family	
		ASME_Y14.5	ASME_Y14.5		PCI_EXPRESS	
lfr	ecn no	dr	date	tolerances unless otherwise specified		
				angles		
				.X±.30		
				.XX±.20		
				0°±2'		
				.XXX±.10		
dr	ZHENHUA_LIU	2016-04-28			scale N/A	
enfr	ZHENHUA_LIU	2016-04-28	title		5	
chr	STONE_LI	2016-04-28	PCI_EXPRESS_CARD_EDGE_GEN3			
appd	PM_ZHENG	2016-04-28	ONE_OPEN-END_STB_ASS'Y			
sheet index	revision sheet	A 4		dwg no		sheet 1 of 4 size
				10139437		A4
				type		
				CUSTOMER Drawing		



1 | 2

3

4



RECOMMENDED FOOTPRINT

← I/O PANEL DIRECTION

mat'l. code		surface 58 ASME_Y14.5V		tolerance ASME_Y14.5		projection 		product family PCI_EXPRESS	
ltr	ecn no	dr	date	tolerances unless otherwise specified		MM		title PCI_EXPRESS_CARD_EDGE_GEN3 ONE_OPEN-END_STB_ASS'Y	
				angles	.X±.25	scale N/A		dwg no 10139437	
				0°±2'	.XXX±.05	FCI		sheet 2 of 4 size A4	
		dr	ZHENHUA_LIU	2016-04-28				type CUSTOMER Drawing	
		enfr	ZHENHUA_LIU	2016-04-28					
		chr	STONE_LI	2016-04-28					
		appd	PM_ZHENG	2016-04-28					
sheet index	revision sheet	A	4						

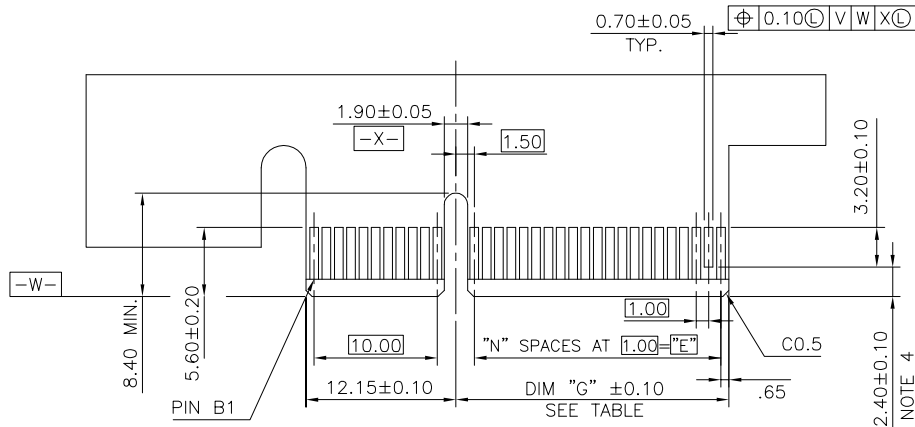
A

A

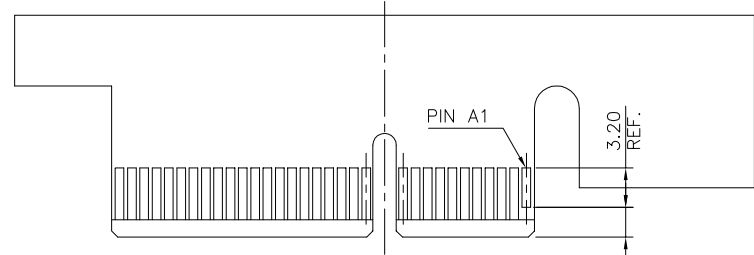
B

B

5



← I/O PANEL DIRECTION
PRIMARY (COMPONENT) SIDE



I/O PANEL DIRECTION →
SECONDARY (SOLDER) SIDE

ADD-IN CARD EDGE-FINGER DIMENSIONS

#	POS REF.	N	DIM "G"	"F"
36	6	8.15	B17	
64	20	22.15	B31	
98	37	39.15	B48	
164	70	72.15	B81	

mat'l. code		surface 58 ASME_Y14.5V		tolerance ASME_Y14.5		projection MM		product family PCI_EXPRESS	
ltr	ecn no	dr	date	tolerances unless otherwise specified		title		PCI_EXPRESS_CARD_EDGE_GEN3	
				angles	.X±.25	MM		ONE_OPEN-END_STB_ASS'Y	
				0°±2'	.XX±.13	scale N/A		dwg no	
					.XXX±.05	FCI		sheet 3 of 4	
				dr	ZHENHUA_LIU	2016-04-28	10139437		size
				enfr	ZHENHUA_LIU	2016-04-28			A4
				chr	STONE_LI	2016-04-28			
				appd	PM_ZHENG	2016-04-28			
sheet index	revision sheet	A	4					type CUSTOMER Drawing	



NOTES:

- 1.MATERIAL:
HOUSING: HIGH TEMPERATURE NYLON, GLASS FILLED UL94V-0 RATED, HALOGEN FREE.
TERMINAL: COPPER ALLOY.
PLATING: SEE PRODUCT NUMBER CODE
METAL BOARD LOCKS: COPPER ALLOY.
FINISH: TIN OVER NICKEL
- 2.PRODUCT SPECIFICATION: GS-12-233.
- ③THE HORIZONTAL AXIS FOR THE HOLE PATTERN IS ESTABLISHED BY
A LINE THROUGH THE CENTER OF THE TWO $\varnothing 2.35$ HOLES.
THE VERTICAL AXIS IS 90° TO THE HORIZONTAL AXIS, THROUGH THE CENTER
OF DATUM Z.
- ④NO TIE BAR PERMITTED FROM CARD EDGE TO LEADING EDGE OF PAD FOR PINS A1 AND PIN NUMBERS "F".
- ⑤CHAMFER EDGES MUST BE FREE OF CUTTING BURRS.
- ⑥FREQUENCY & LOCATION AT SUPPLIER DISCRETION. RIDGE MAY BE CONTINUOUS WITH NO BREAKS.
- 7.RoHS COMPATIBLE PRODUCT SPECIFICATIONS:
 - a - PLATING:
 - "LF" MEANS THE PRODUCT IS LEAD-FREE, 2um MINIMUM MATTE TIN OVER 1.27um
MINIMUM NICKEL UNDERPLATE.
 - b - MANUFACTURING PROCESS COMPATIBILITY:
 - THE HOUSING WILL WITHSTAND EXPOSURE TO 260°C PEAK TEMPERATURE FOR
5 SECONDS IN RE-FLOW APPLICATION.

CONNECTOR	# POS REF.	N	DIM "B"	DIM "C"	"E"
1 PORT	36	6	25.00	9.15	6.00
4 PORT	64	20	39.00	23.15	20.00
8 PORT	98	37	56.00	40.15	37.00
16 PORT	164	70	89.00	73.15	70.00

PRODUCT NUMBER CODE

10139437 -x x x x x x x x

HOUSING COLOR OPTIONS
0-NATURAL
1-BLACK

PEGS OPTIONS
0-PLASTIC PEGS

TERMINAL PLATING OPTIONS
0-50u" Ni UNDERPLATE
30u" Au CONTACT AREA
100u" TIN TAIL AREA ----- COMPATIBLE RoHS
1-50u" Ni UNDERPLATE
15u" Au CONTACT AREA
100u" TIN TAIL AREA ----- COMPATIBLE RoHS
2-50u" Ni UNDERPLATE
GOLD FLASH CONTACT AREA
100u" TIN TAIL AREA ----- COMPATIBLE RoHS

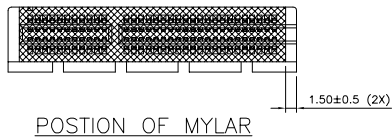
LEAD FREE OPTION
LEAVE BLANK FOR TERMINAL PLATING 3.4.5
"LF" FOR TERMINAL PLATING OPTION 0,1,2

PACKAGING OPTIONS
T-SOFT TRAY PACKAGING
M-SOFT TRAY PACKAGING & MYLAR TAPE.
Y-HARD TRAY PACKAGING (FOR 164P ONLY)
Z-HARD TRAY PACKAGING WITH MYLAR (FOR 164P ONLY)
R-TAPE & REEL PACKAGING (FOR 36, 64, 98P)
A-TAPE & REEL PACKAGING WITH MYLAR (FOR 36, 64, 98P)

POS OPTIONS
0-36
1-64
2-98
3-164

TAIL LENGTH OPTIONS

	DIM "D"	PCB THICKNESS
0	2.30 ± 0.25 -0.13	1.56 ± 0.10
1	3.10 ± 0.25 -0.13	2.36 ± 0.10
2	2.54 ± 0.25	1.56 ± 0.10
3	1.90 ± 0.25	1.56 ± 0.10



mat'l. code		surface 58 ASME_Y14.5V		tolerance ASME_Y14.5		projection 		product family PCI_EXPRESS	
ltr	ecn no	dr	date	tolerances unless otherwise specified		MM 		title PCI_EXPRESS_CARD_EDGE_GEN3 ONE_OPEN-END_STB_ASS'Y	
				angles	.X±.30	scale N/A		dwg no 10139437	
				0°±2'	.XX±.20	sheet 4 of 4		size A4	
				dr	ZHENHUA_LIU 2016-04-28	FCI logo		type CUSTOMER Drawing	
				enfr	ZHENHUA_LIU 2016-04-28				
				chr	STONE_LI 2016-04-28				
				appd	PM_ZHENG 2016-04-28				
sheet index	revision	A							
	sheet	4							