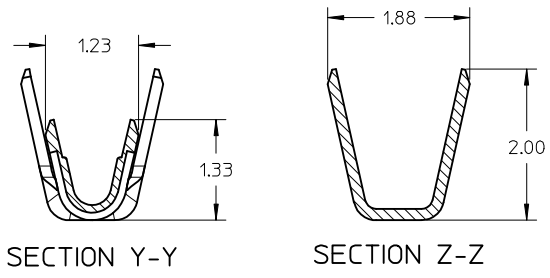
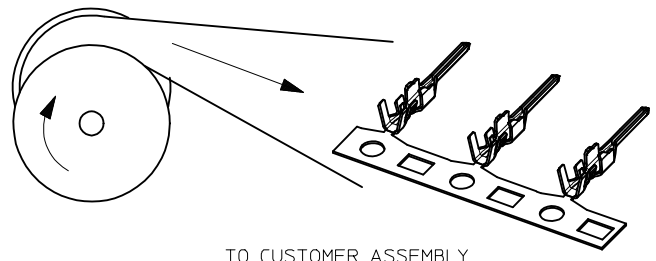
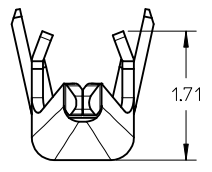
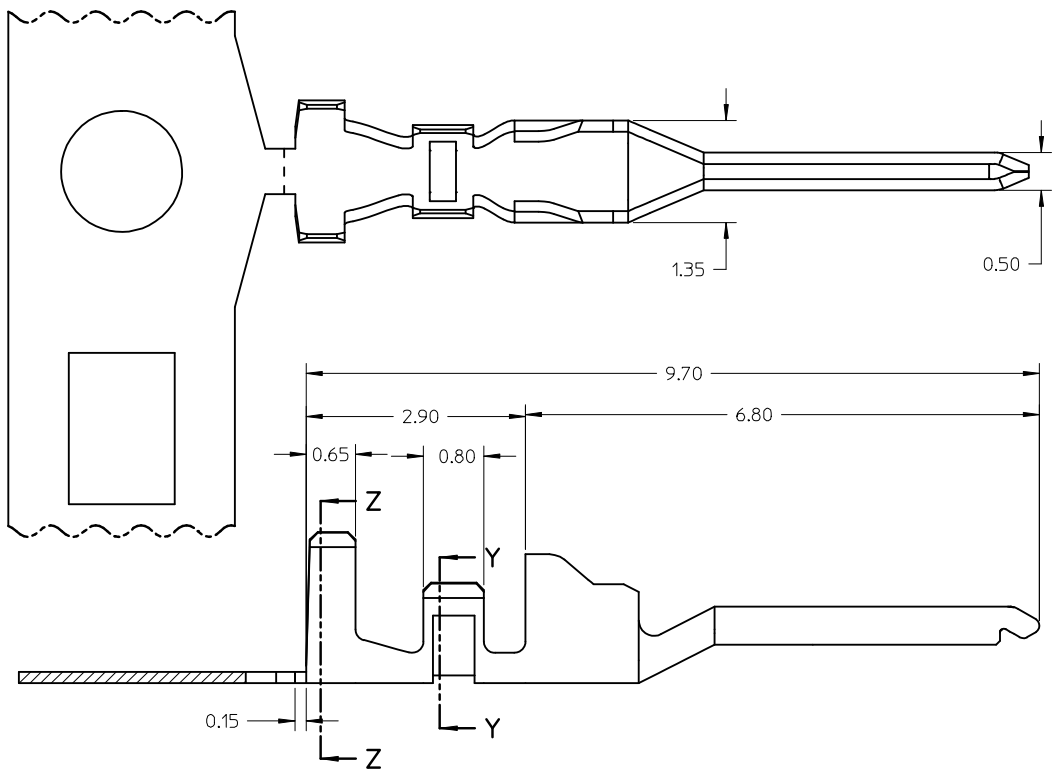


TERMINAL P/N (CHAIN)	PLATING	
	CONTACT	UNDERPLATING
151087-8999	UNPLATED	
151087-8101	2.504m MIN MATTE TIN OVERALL	1.254m MIN NI OVERALL
151087-8201	0.054m AU MIN	
151087-8301	0.384m AU MIN	
151087-8401	0.754m AU MIN	



- NOTES:
1. MATERIAL: COPPER ALLOY, THICKNESS: 0.15mm
 2. FINISHES: REFER TO TABLE
 3. PRODUCT SPECIFICATION: PS-151087-0001
 4. PACKAGING SPECIFICATION: PK-151087-0001
 5. APPLICABLE TO HOUSING: 151098-****
 6. TO BE USED WITH #24-30 AWG INSULATION STRANDED WIRE.

REMOVE LOOSE OPT EC NO: S2016-0449 DRWN:FCS00 CHKD:CGOH APPR:KHLIM	DESCRIPTION	QUALITY SYMBOLS	GENERAL TOLERANCES (UNLESS SPECIFIED)	DIMENSION STYLE	SCALE	DESIGN UNITS	THIRD ANGLE PROJECTION	
		$\nabla_A=0$	mm INCH	MM ONLY	NTS	METRIC		
		$\nabla_B=0$	4 PLACES ± --- ± ---	DRAWN BY DATE	FCS00 2015/01/08	TITLE	SALES DRAWING MALE CRIMP TERMINAL SINGLE ROW MILLIGRID	
		$\nabla_C=0$	3 PLACES ± --- ± ---	CHECKED BY DATE	FCS00 2015/01/08		molex	
$\nabla_D=0$	2 PLACES ± 0.20 ± ---	APPROVED BY DATE	KHLIM 2016/02/16		DOCUMENT NO.	SHEET NO.		
A	REV	DRAFT WHERE APPLICABLE MUST REMAIN WITHIN DIMENSIONS		MATERIAL NO.	SD-151087-0001		1 OF 1	
				SIZE	THIS DRAWING CONTAINS INFORMATION THAT IS PROPRIETARY TO MOLEX INCORPORATED AND SHOULD NOT BE USED WITHOUT WRITTEN PERMISSION			