

PRODUCT NO.  
72512-0021 SEE NOTE 6

PRODUCT NO.  
72512-0011 SEE NOTE 6

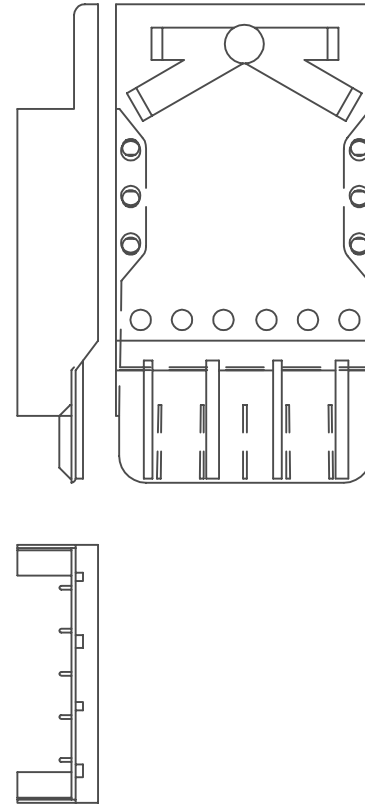
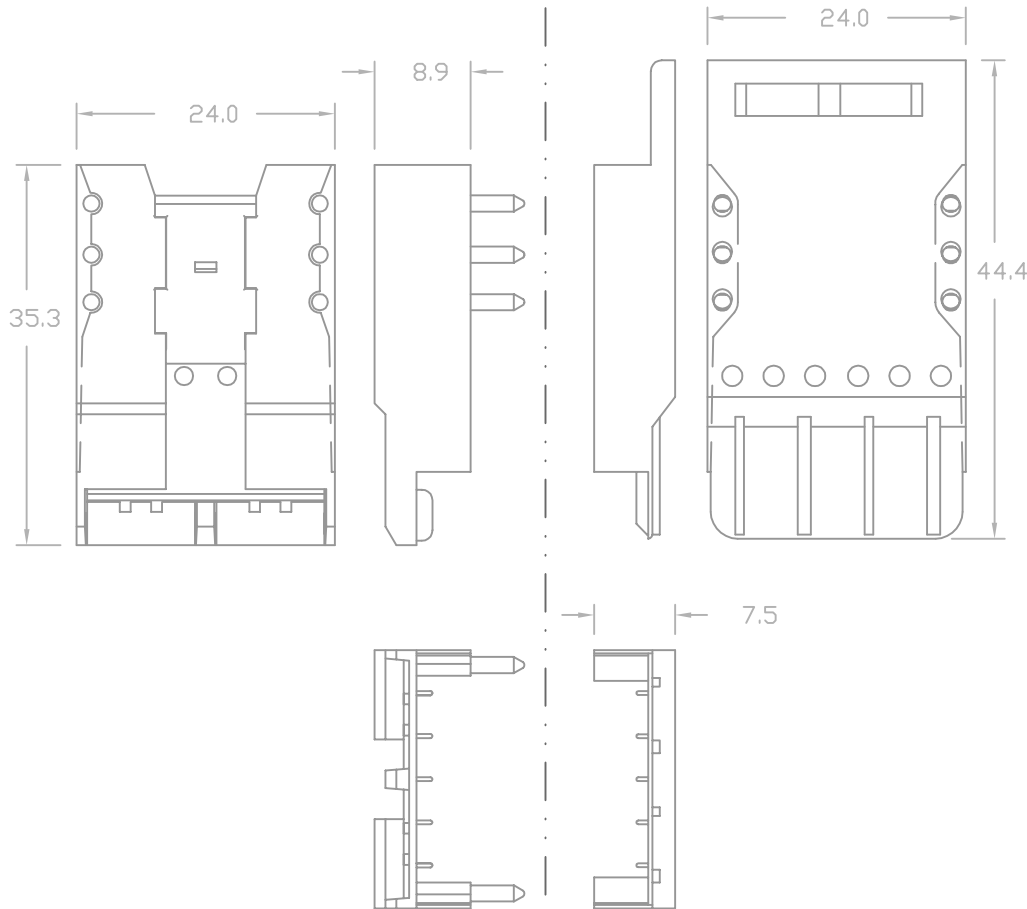
PRODUCT NO.  
72512-0031 SEE NOTE 6

NOTES:

- SEE APPLICATION SPECIFICATION, GS-20-003, FOR INSTRUCTION ON WIRE INSERTION AND ASSEMBLY OF COMPONENTS FOR CONNECTOR USING THESE COVERS.
- MATERIAL:  
GLASS FILLED 612 POLYAMIDE.

3.72512-0011 IS AN OLDER VERSION AND WILL BE OBSOLETE AFTER CURRENT STOCK IS USED UP.  
ORDER 72512-0031 WHEN 72512-0011 IS UNAVAILABLE.

- THE PRODUCTS WHERE THE PART NUMBER ENDS IN LF MEET THE EUROPEAN UNION DIRECTIVES AND OTHER COUNTRY REGULATIONS AS DESCRIBED IN GS-22-008.
- THESE PRODUCTS LISTED ON THIS DRAWING WILL NOT WITHSTAND WAVE SOLDER OR REFLOW OPERATIONS.
- FOR LEAD FREE PART NUMBERS, ADD AN 'LF' SUFFIX.  
EXAMPLE 72512-0021LF.



mat'l. code SEE NOTES		surface / tolerance ASME Y14.5 / ASME Y14.5		projection 	product family METRAL CABLE
ltr	ecn no	dr	date	tolerances unless otherwise specified	title
A	V71561	JRV	11/6/97	angles .X ±.3	5X12 COVERS
B	V12745	LSS	11/29/01	linear .XX ±.13	
C	V04-1106	DAI	11/15/04	0° ±2'	UNSHIELDED CABLE CONNECTORS
D	V05-0594	VS	08/08/05	dr J.R.VOLSTROF 11/5/97	dwg no sheet 1 of 1 size
E	V06-0609	DCH	2006-06-23	engr J.R.VOLSTROF 11/5/97	72512 A4
				chr J.R.VOLSTROF 11/5/97	type CUSTOMER Drawing
				appd J.R.VOLSTROF 11/5/01	
sheet index	revision sheet	E	1		