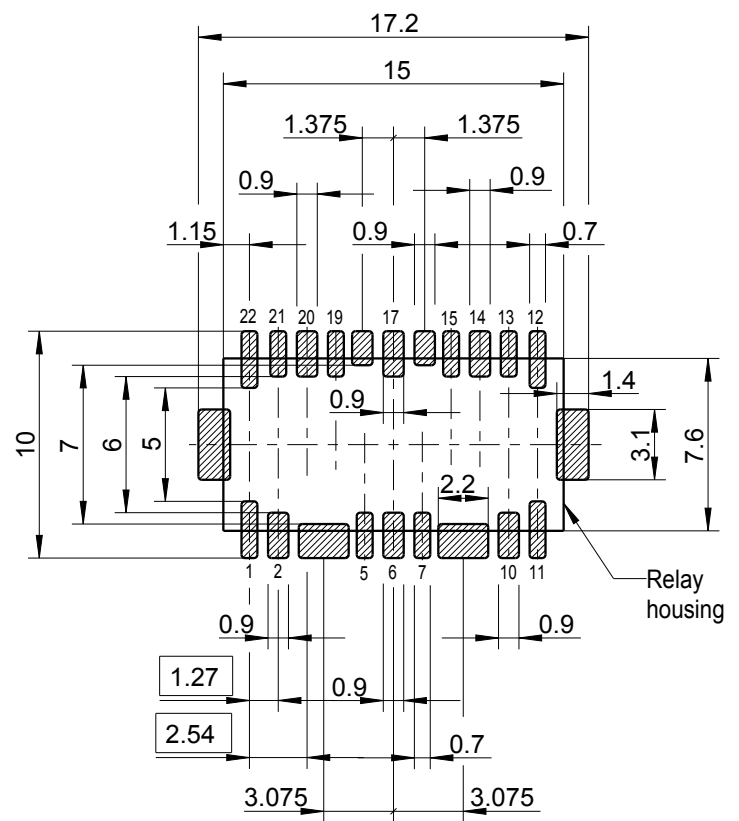
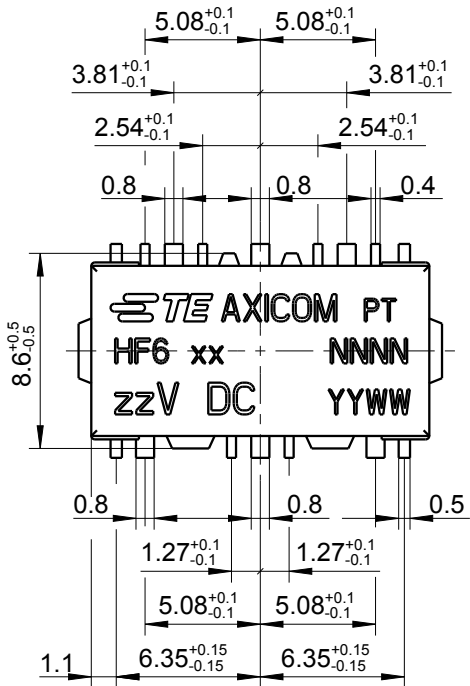
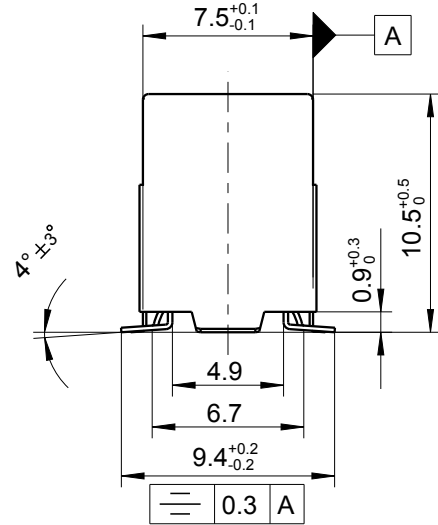
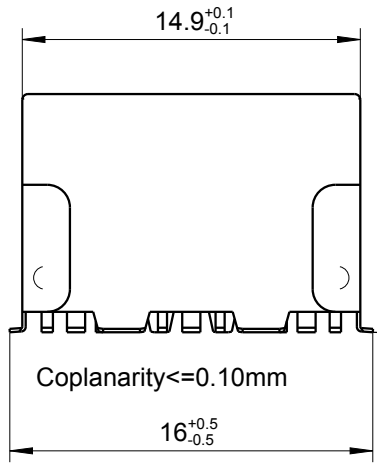


LOC	DIST	REVISIONS					
		P	LTR	DESCRIPTION	DATE	DWN	APVD
HJ	-		E	New Coplanarity, Solder Pad Layout	15JAN2010	UKo	HD
			F	Printing	09JUL2010	UKo	HD
			F1	REVISED PER ECO-11-005150	25MAR2011	RK	HMR
			F2	REVISED PER ECO-11-017072 (ECR-13-009645)	14JUN2013	UKo	AK



XX = Relay type
 zz = nominal voltage
 YYWW = Date code
 NNNN = Lot number

2006
 RELEASED FOR PUBLICATION
 ALL RIGHTS RESERVED.
 THIS DRAWING IS UNPUBLISHED.
 COPYRIGHT © 2006 BY TE Connectivity

DIMENSIONS: mm	DWN	UKo 9193	06NOV2006	MATERIAL	-	FINISH	-		
	CHK	HD 9121	06NOV2006	TE Connectivity					
TOLERANCES UNLESS OTHERWISE SPECIFIED: DIN 7168-m	APVD	HD 9121	06NOV2006						
0 PLC ±-	PRODUCT SPEC	-		NAME HF6-Relay 50Ω Dimensions					
1 PLC ±-	APPLICATION SPEC	-							
2 PLC ±-	WEIGHT	-		SIZE	A4	CAGE CODE	00779		
3 PLC ±-				DRAWING NO	C-1462052-2		RESTRICTED TO	-	
4 PLC ±-				SCALE	3:1	SHEET	1 OF 1	REV	F2
ANGLES ±-				CUSTOMER DRAWING					