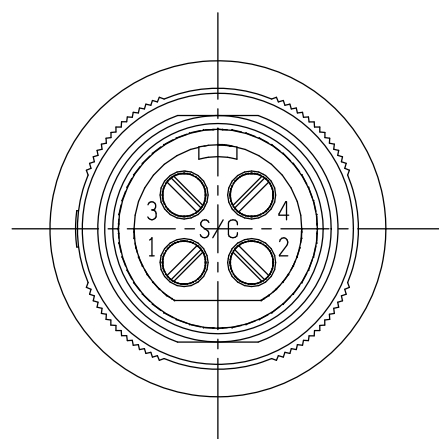
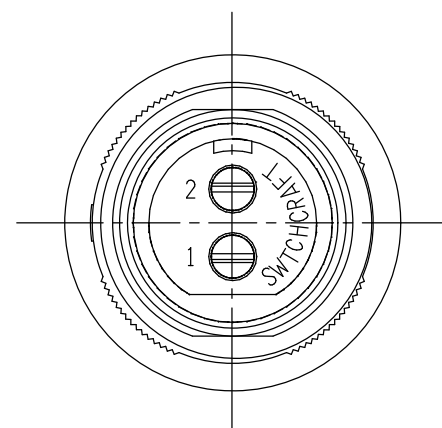


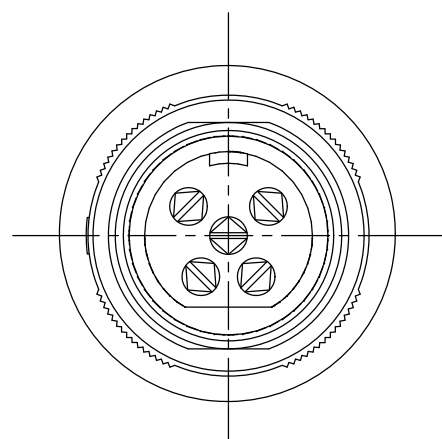
SL183FX



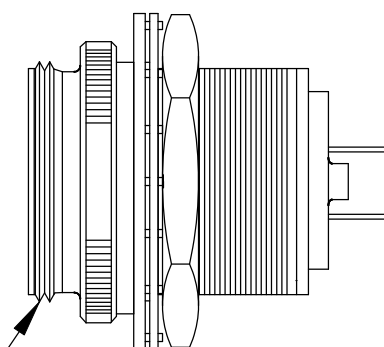
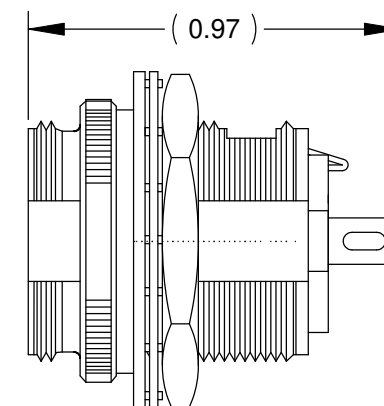
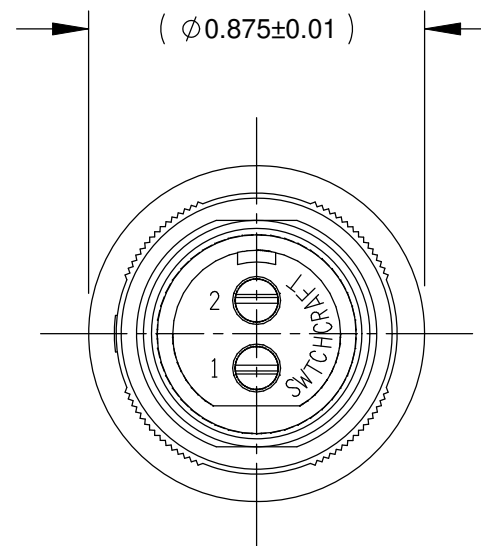
SL184FX



SL182FX



SL185FX



5/8-27 UNC- 2A THREAD
BOTH ENDS REF

CUSTOMER DRAWING

NOTES:

- HOUSING AND PIN ASSEMBLY SHIPPED UNASSEMBLED
- HEX NUT AND WASHERS SHIPPED UNASSEMBLED
- THESE PRODUCTS ARE RoHS COMPLIANT

REV	ECO NUMBER	DATE	BY	APVD
A	26150	11-30-06	SRC	SRC
REVISIONS				

★ STAR SYMBOL DENOTES CRITICAL DIMENSION

- UNLESS OTHERWISE SPECIFIED
- ALL DIMENSIONS IN INCHES
 - TWO PLACE DECIMALS ±0.01
 - THREE PLACE DECIMALS ±0.005
 - ANGLES ±1°
 - ALL DIA. CONCENTRIC WITHIN 0.005 T.I.R.
 - FEATURES ON THE SAME CENTERLINE MUST BE ALIGNED WITHIN ±0.002
 - REMOVE ALL BURRS

DO NOT SCALE DRAWING

THIS DRAWING DESCRIBES A DESIGN CONSIDERED PROPRIETARY IN NATURE, DEVELOPED AND MANUFACTURED BY SWITCHCRAFT INC. AND IS RELEASED ON A CONFIDENTIAL BASIS FOR IDENTIFICATION PURPOSES ONLY.

SIZE *	WIDTH *	MULT *	LBS/M *	TEMPER *
FINISH *			MATERIAL *	
SPEC No. *			SPEC No. *	
FIRST USED ON *		SCALE 1:1		
DATE DRAWN	BY	CHKD	APVD	
11-30-06	SRC	SRC	SRC	
		11-30-06	11-30-06	
NAME SLIM-LINE FEMALE FRONT PANEL MOUNT RECEPTACLE, RoHS			PART No. SL18_FX SERIES	
			REV A	

Switchcraft®

SHEET 1 OF 1