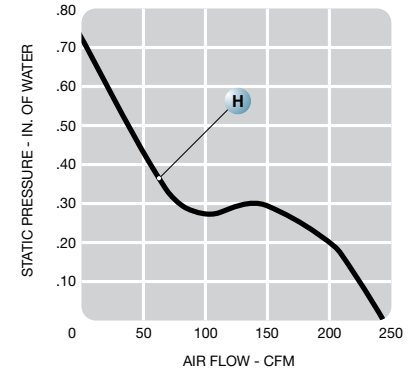
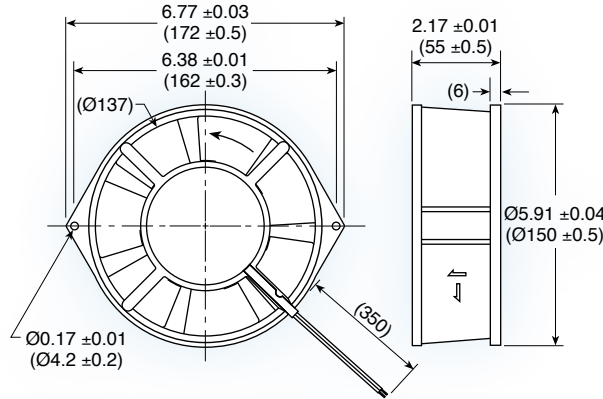


# UF15KCR series



**(172 x 150 x 55 mm)**

6.77 x 5.91 x 2.17 inches

LEAD WIRE

**Features:** capacitor start motor; reverse air flow (air intake over struts); Class B insulation

**Operating voltage:** 115 or 230 VAC

**Construction:** aluminum die cast frame; UL94V-0 PBT impeller

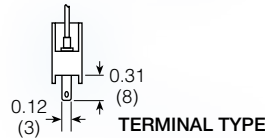
**Bearing option:** motor quality ball bearings

**Motor:** capacitor start

**Air Flow:** intake over struts

**Connection:** terminal or 22 AWG lead wires

**Protection:** thermal



TERMINAL TYPE

Model No.	Rated Voltage V	Freq. HZ	Input Power W	Rated Cur. A	Locked Cur. A	Speed RPM	Air Volume		Max. Static Pressure (H <sub>2</sub> O)		Sound Noise dbA	Weight oz
							M <sup>3</sup> /Min.	CFM	MM	INCH		
UF15KCR12-__H	115	60	30	0.25	0.58	3,400	6.8	241	18.5	0.73	66	38
UF15KCR23-__H	230	60	31	0.13	0.28	3,400	6.8	241	18.5	0.73	66	38

