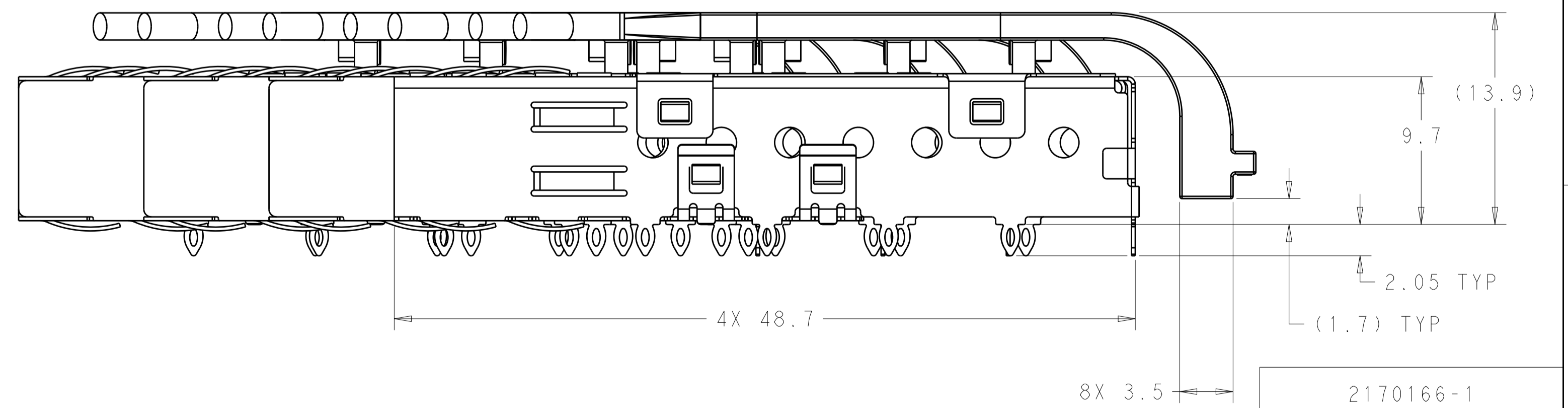
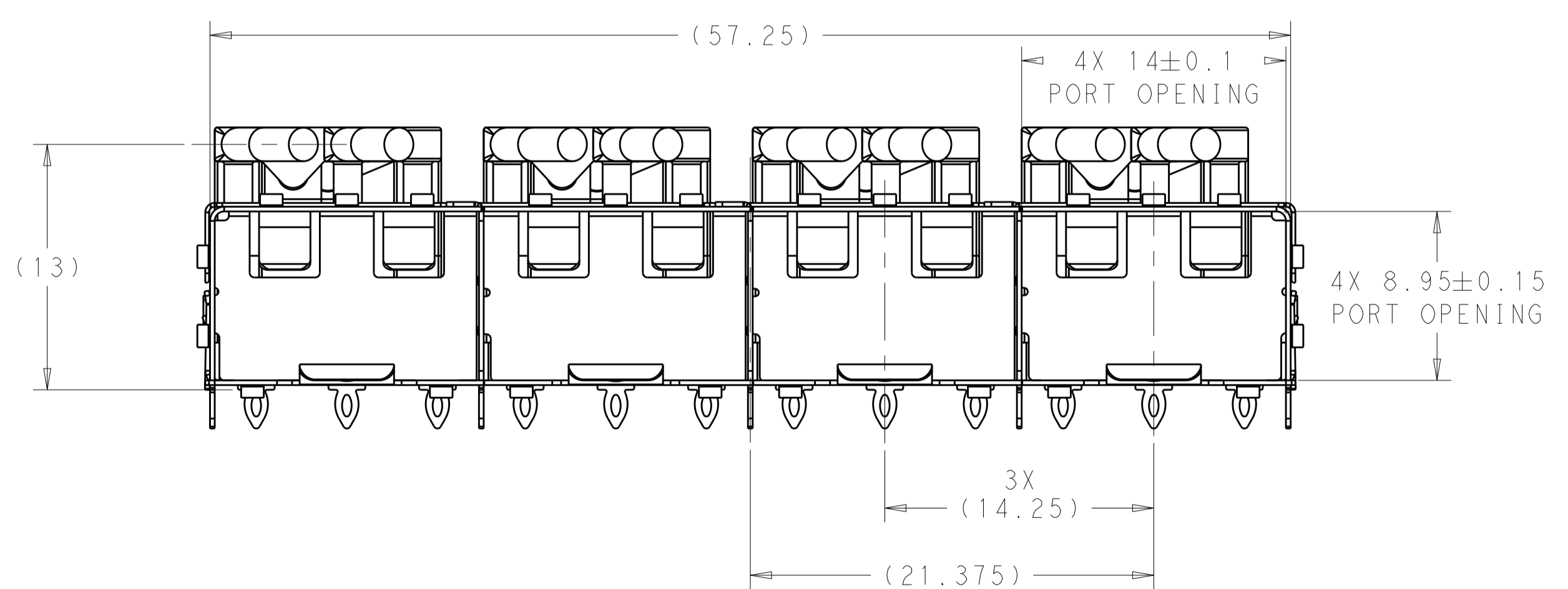
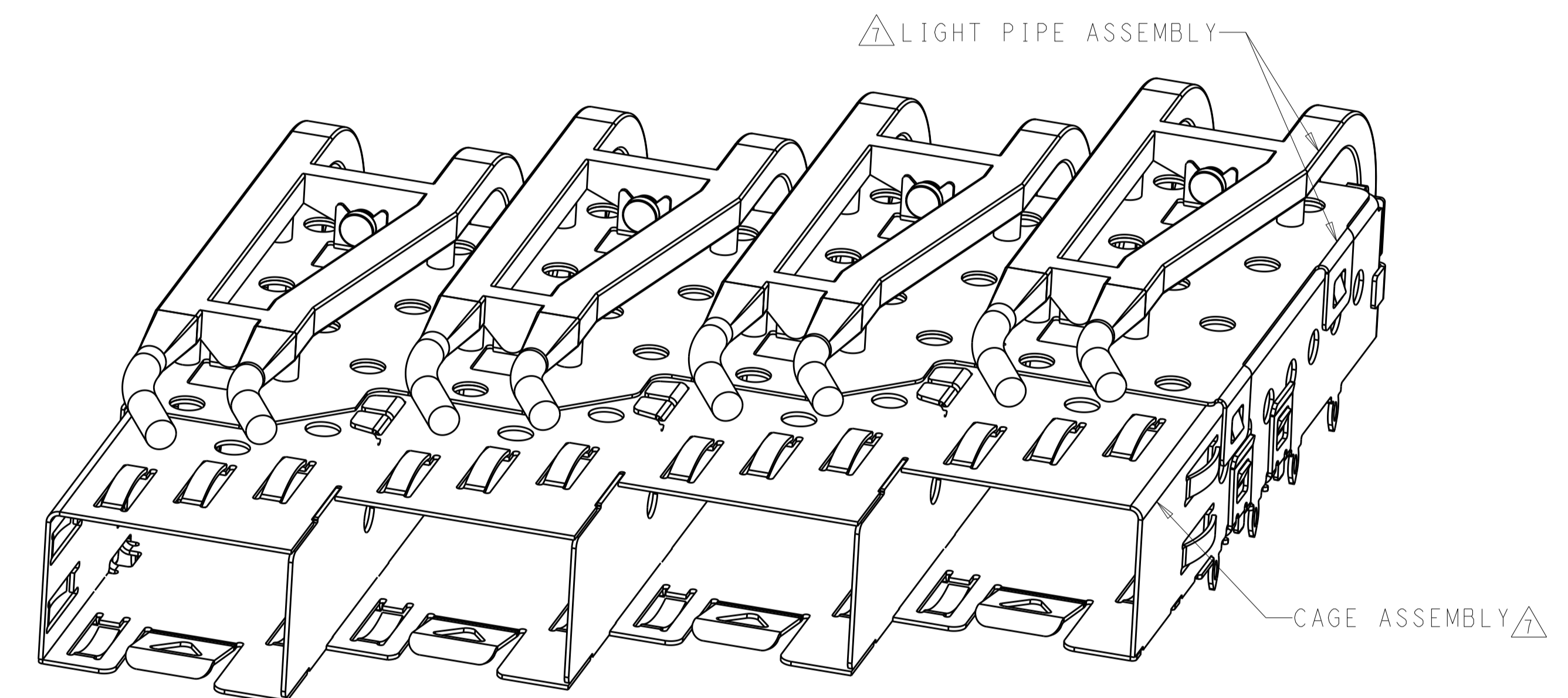
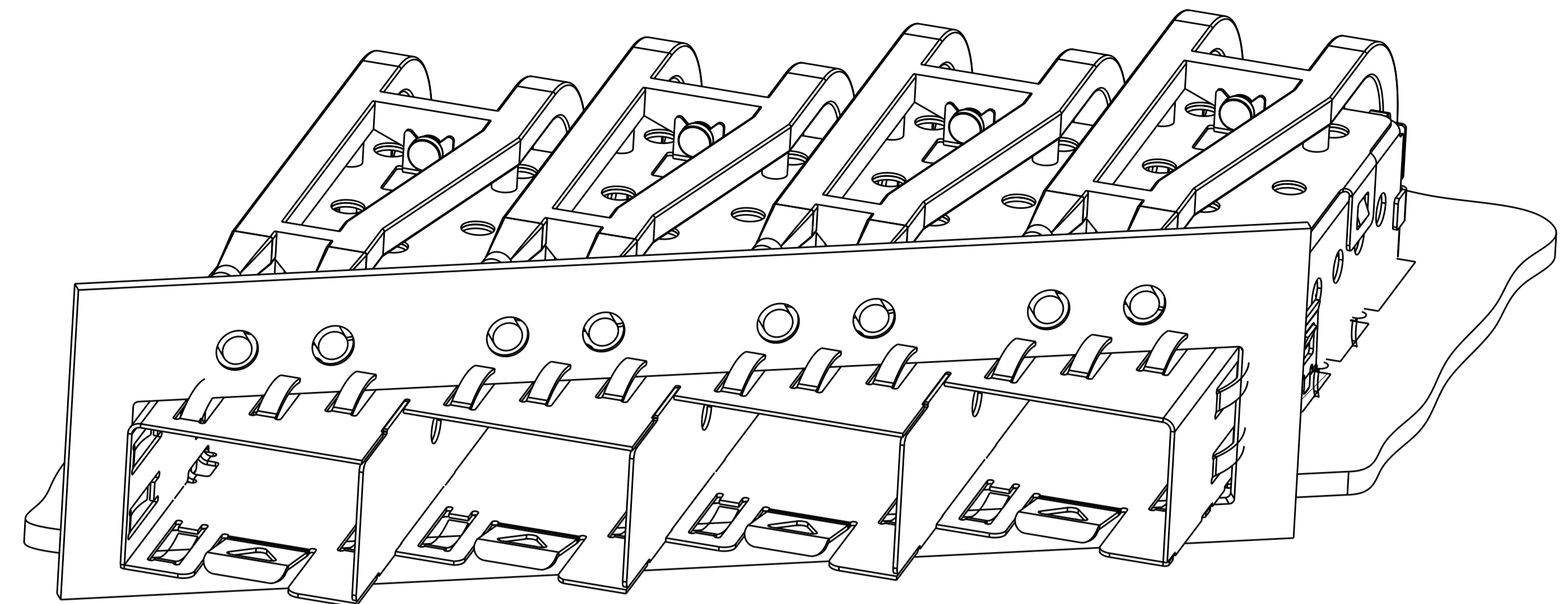
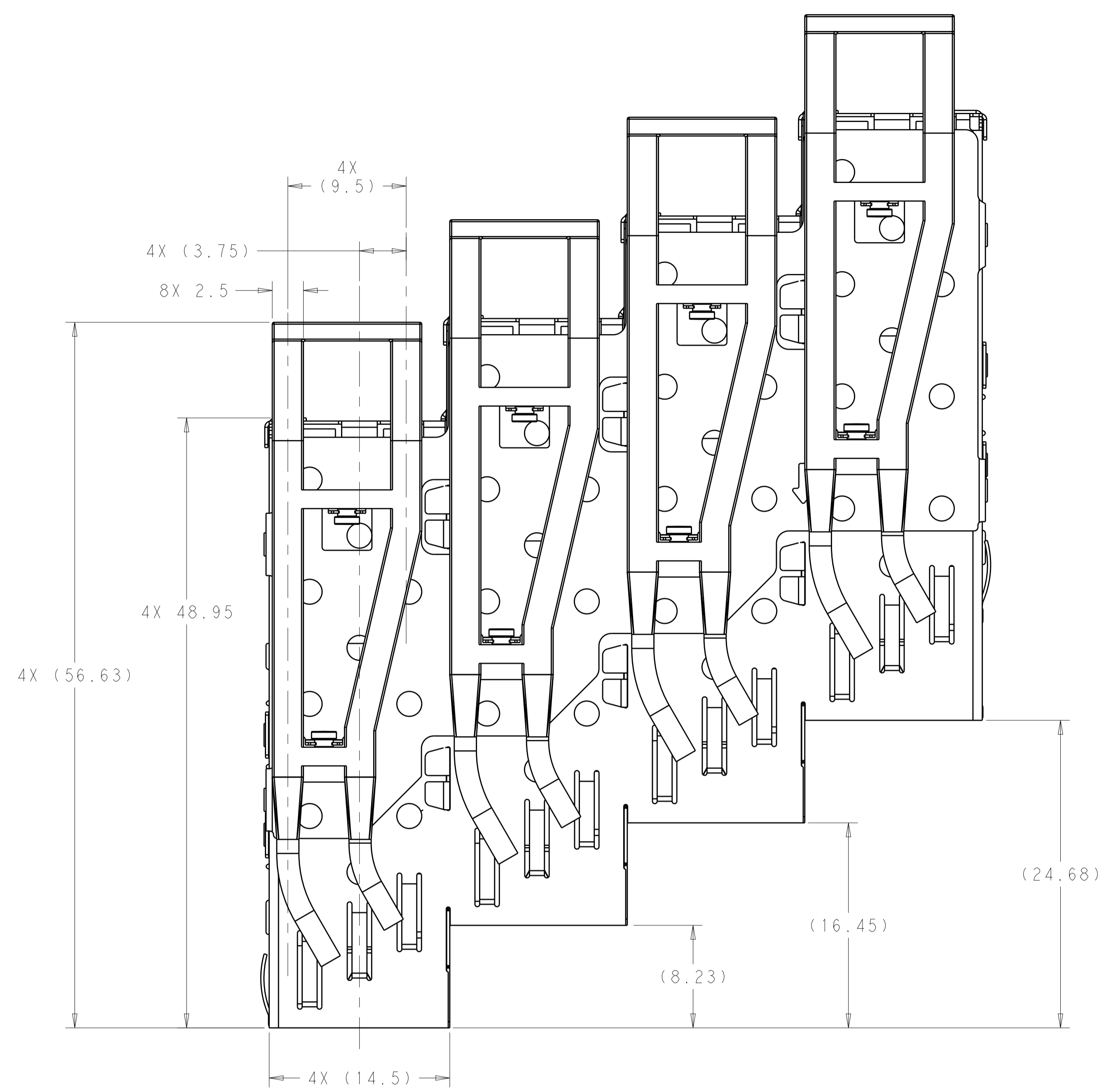


| LOC | | DIST | | REVISIONS | | | |
|-----|-----|-------------|-----------|-----------|------|--|--|
| P | LTN | DESCRIPTION | DATE | DWN | APVD | | |
| A | | RELEASED | 25FEB2016 | JW | SH | | |

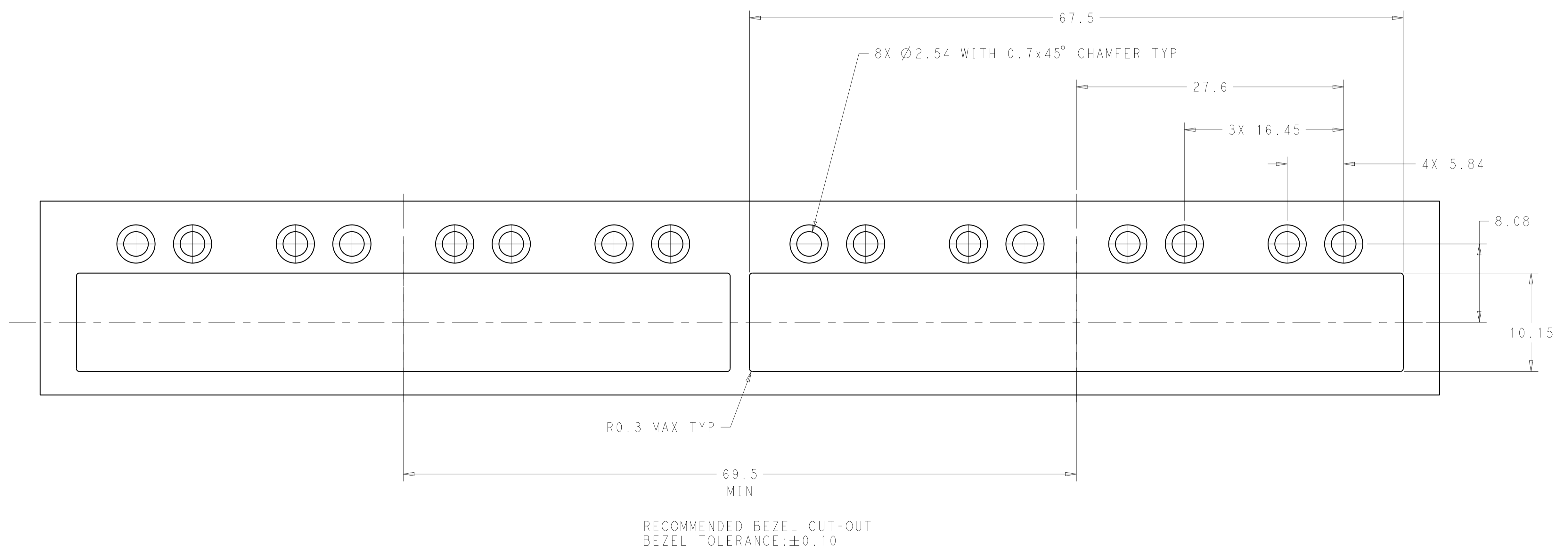
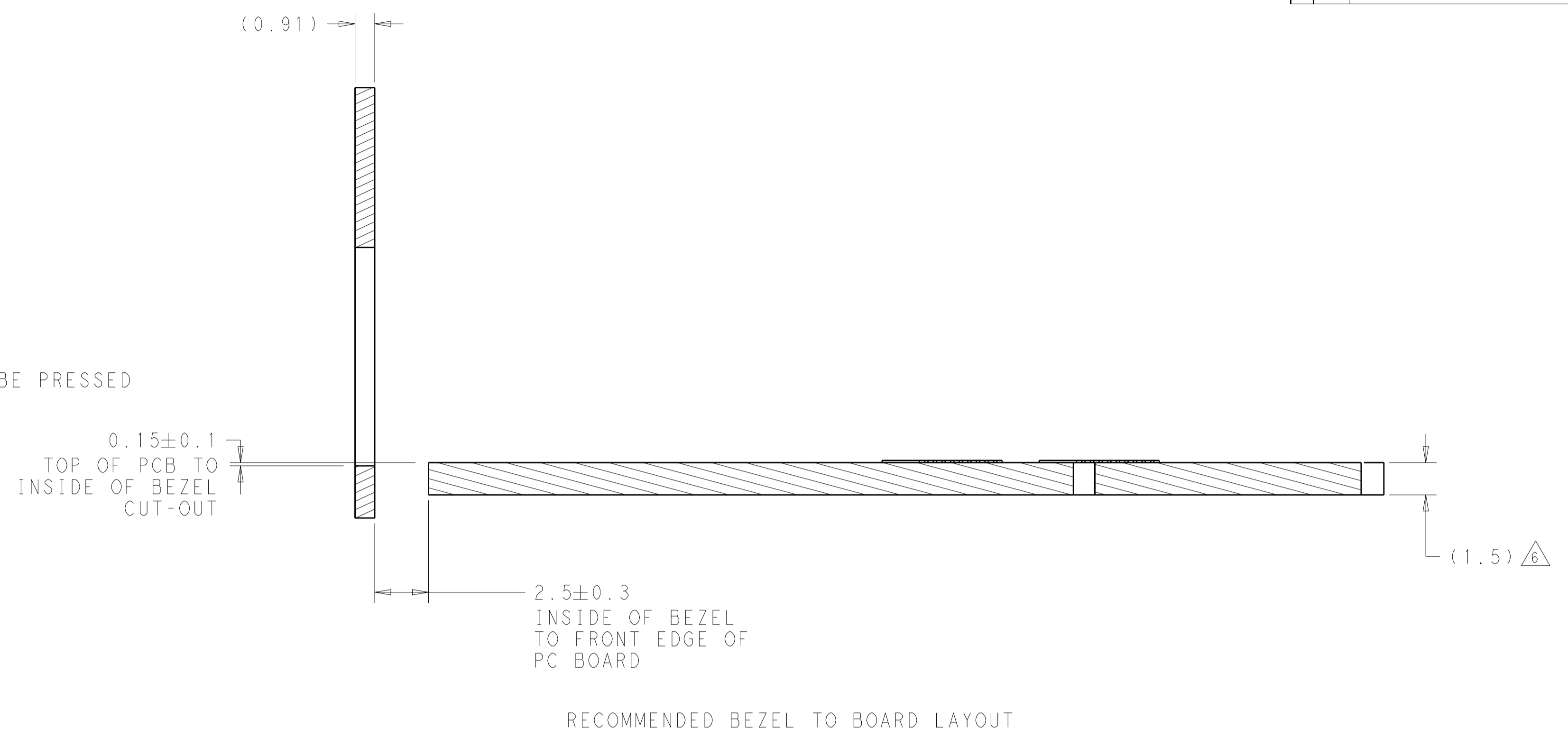


| | | | |
|--|--|---|---|
| THIS DRAWING IS A CONTROLLED DOCUMENT. | | DWN: JASON YANG 02NOV2011 | TE Connectivity |
| DIMENSIONS: mm | | CHK: ALEX CAI 02NOV2011 | |
| TOLERANCES UNLESS OTHERWISE SPECIFIED: | | APVD: ALEX CAI 02NOV2011 | NAME: SFP, 1X4 CAGE ASSEMBLY, 30 DEGREE, PRESS FIT, WITH LIGHT PIPES PRODUCT SPEC: 108-1950 APPLICATION SPEC: 114-13120 |
| 0 PLC ±0.2 1 PLC ±0.2 2 PLC ±0.2 3 PLC ±0.2 4 PLC ±0.2 ANGLES ± | | SIZE: CAGE CODE DRAWING NO WEIGHT: 114-13120 CUSTOMER DRAWING | |
| MATERIAL: FINISH: | | SCALE: 4:1 | RESTRICTED TO: A100779C=2170166 |
| | | SHEET 1 OF 3 | REV A |

| LOC | DIST | REV | DATE | BY | APPD |
|-----|------|-----|------|----|------|
| GP | 00 | | | | |

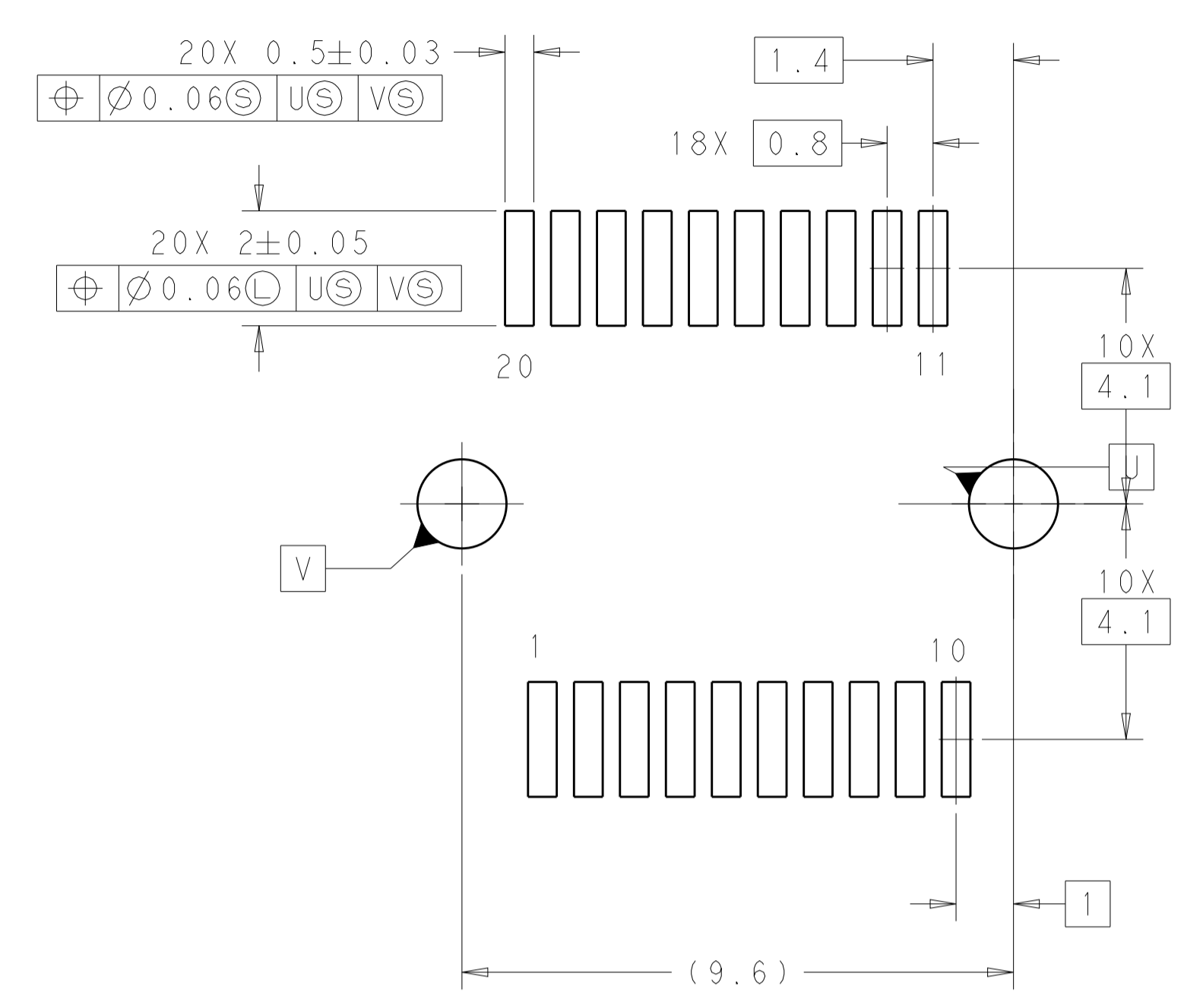
| REVISIONS | | | |
|-----------|------|----|------|
| REV | DATE | BY | APPD |
| - | - | - | - |
| - | - | - | - |

- 1 MATERIAL:
 CAGE ASSEMBLY: 0.25mm THICK NICKEL SILVER ALLOY.
 LIGHT PIPE: POLYCARBONATE, CLEAR.
- 2 DATUM AND BASIC DIMENSIONS ESTABLISHED BY THE CUSTOMERS.
- 3. MATES WITH MSA COMPLIANT TRANSIEVERS.
- 4 PADS AND VIAS CHASSIS GROUND.
- 5 REFERENCE APPLICATION SPEC 114-13120, HOLE A, FOR RECOMMENDED DRILL HOLE DIAMETER AND PLATING THICKNESS.
- 6 MINIMUM PCB THICKNESS:
 SINGLE SIDED = 1.5mm
- 7 LIGHT PIPES ASSEMBLY SHIPPED UNASSEMBLED TO CAGE ASSEMBLY, CAGE ASSEMBLY TO BE PRESSED INTO PCB PRIOR TO ATTACHING LIGHT PIPES TO THE CAGE ASSEMBLY.

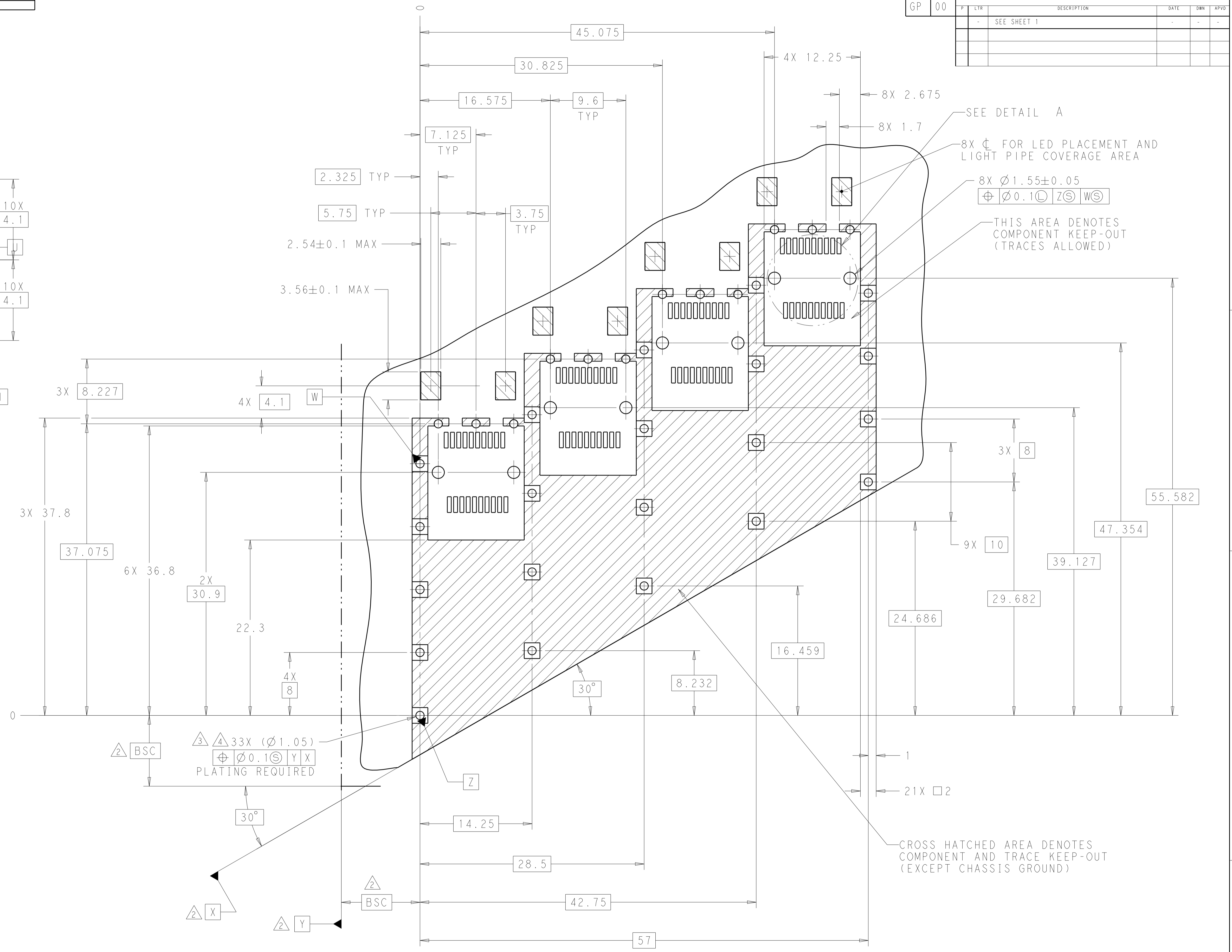


| | | | |
|---|--|-----------------------------|--|
| THIS DRAWING IS A CONTROLLED DOCUMENT. | | DWN: JASON YANG 02NOV2011 | TE Connectivity |
| DIMENSIONS: mm | | CHK: ALEX CAI 02NOV2011 | |
| TOLERANCES UNLESS OTHERWISE SPECIFIED: 0 PLC ±0.2 1 PLC ±0.2 2 PLC ±0.2 3 PLC ±0.2 4 PLC ±0.2 ANGLES ±° | | APVD: ALEX CAI 02NOV2011 | NAME: SFP, 1X4 CAGE ASSEMBLY, 30 DEGREE, PRESS FIT, WITH LIGHT PIPES |
| MATERIAL: | | PRODUCT SPEC: 108-1950 | RESTRICTED TO: - |
| FINISH: - | | APPLICATION SPEC: 114-13120 | SIZE: A1 |
| CUSTOMER DRAWING | | WEIGHT: - | CAGE CODE: 2170166 |
| SCALE: 4:1 | | SHEET 2 OF 3 | |
| REV: A | | REV: A | |

| LOC | | DIST | | REVISONS | | | |
|-----|----|------|-----|-------------|------|-----|------|
| GP | 00 | P | LYR | DESCRIPTION | DATE | OWN | APVD |
| | | - | | SEE SHEET 1 | - | - | - |



DETAIL A
 RECOMMENDED PT CONNECTOR LAYOUT
 4X INDIVIDUALLY
 SCALE 10:1



SEE DETAIL A
 8X ϕ FOR LED PLACEMENT AND LIGHT PIPE COVERAGE AREA
 8X $\phi 1.55 \pm 0.05$
 $\phi 0.1$ Z W
 THIS AREA DENOTES COMPONENT KEEP-OUT (TRACES ALLOWED)

CROSS HATCHED AREA DENOTES COMPONENT AND TRACE KEEP-OUT (EXCEPT CHASSIS GROUND)

RECOMMENDED PCB CONFIGURATION WITH KEEP-OUT AREAS
 PCB TOLERANCE: ±0.05
 SINGLE SIDED APPLICATIONS

| | | | |
|--|--|--|--|
| THIS DRAWING IS A CONTROLLED DOCUMENT. | | OWN: JASON YANG 02NOV2011 | TE Connectivity |
| DIMENSIONS: mm | | CHK: ALEX CAI 02NOV2011 | |
| TOLERANCES UNLESS OTHERWISE SPECIFIED: | | APVD: ALEX CAI 02NOV2011 | NAME: SFP, 1X4 CAGE ASSEMBLY, 30 DEGREE, PRESS FIT, WITH LIGHT PIPES |
| <ul style="list-style-type: none"> 0 PL C ±0.2 1 PL C ±0.2 2 PL C ±0.2 3 PL C ±0.2 4 PL C ±0.2 ANGLES ±° FINISH ± | <ul style="list-style-type: none"> 0 PL C ±0.2 1 PL C ±0.2 2 PL C ±0.2 3 PL C ±0.2 4 PL C ±0.2 ANGLES ±° FINISH ± | PRODUCT SPEC: 108-1950 APPLICATION SPEC: 114-13120 WEIGHT: - CUSTOMER DRAWING | SIZE: A1 CAGE CODE: 00779 DRAWING NO: C=2170166 SHEET 3 OF 3 REV A |