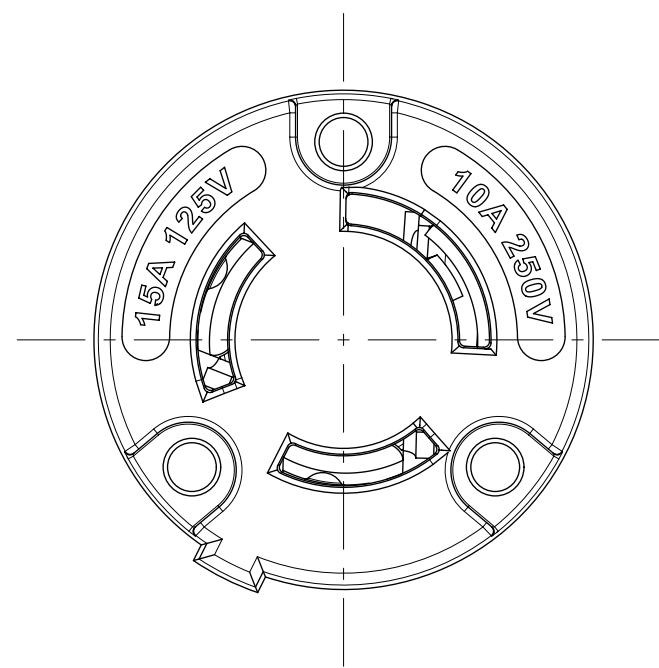
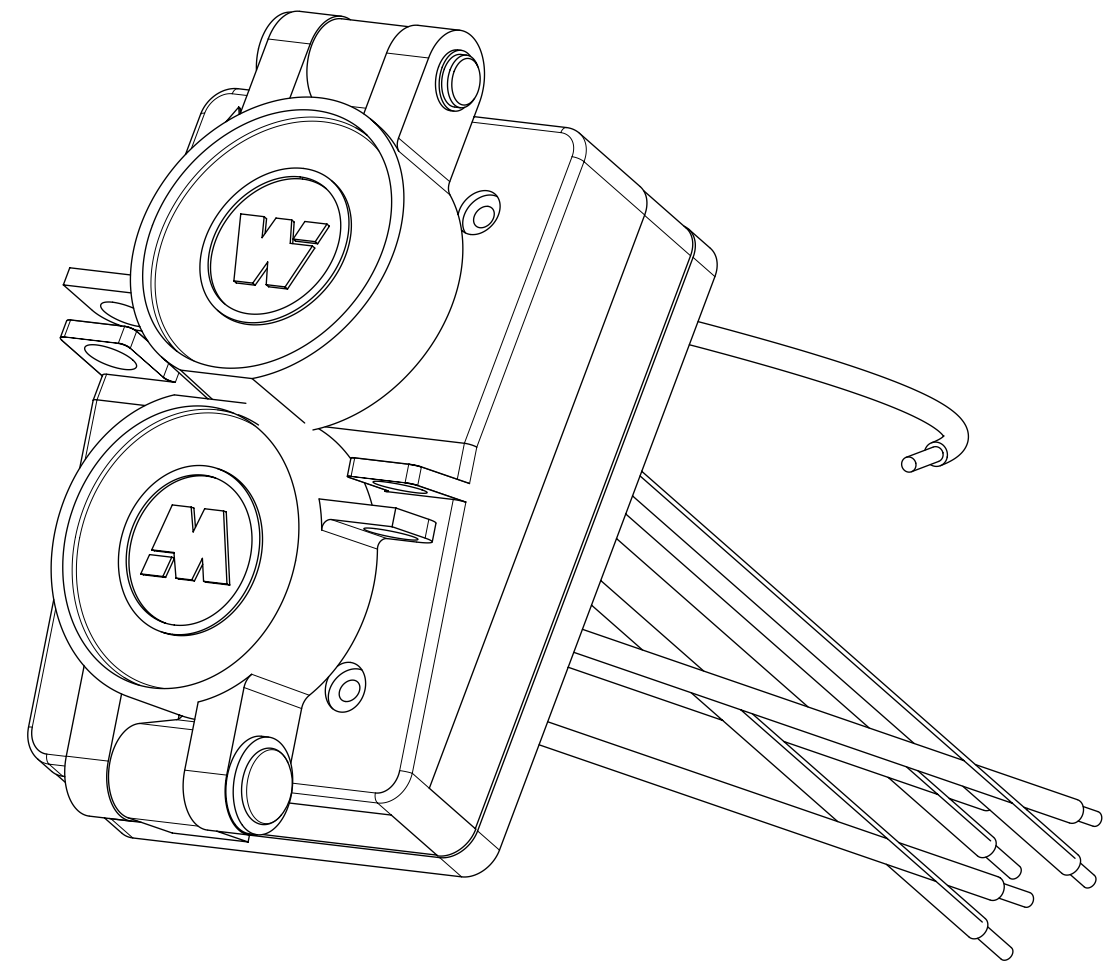
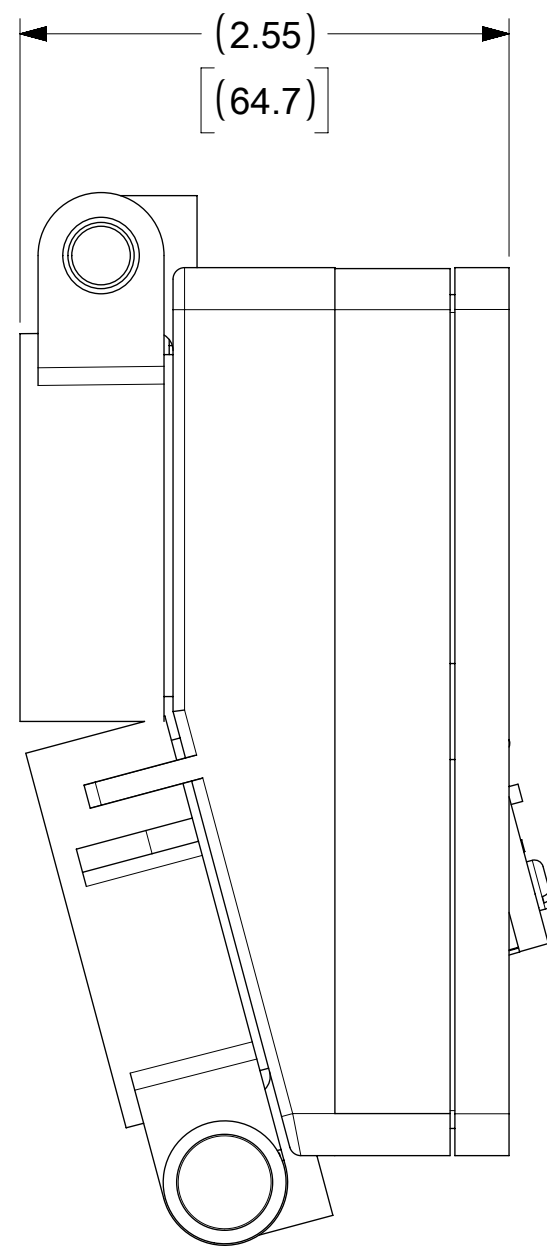
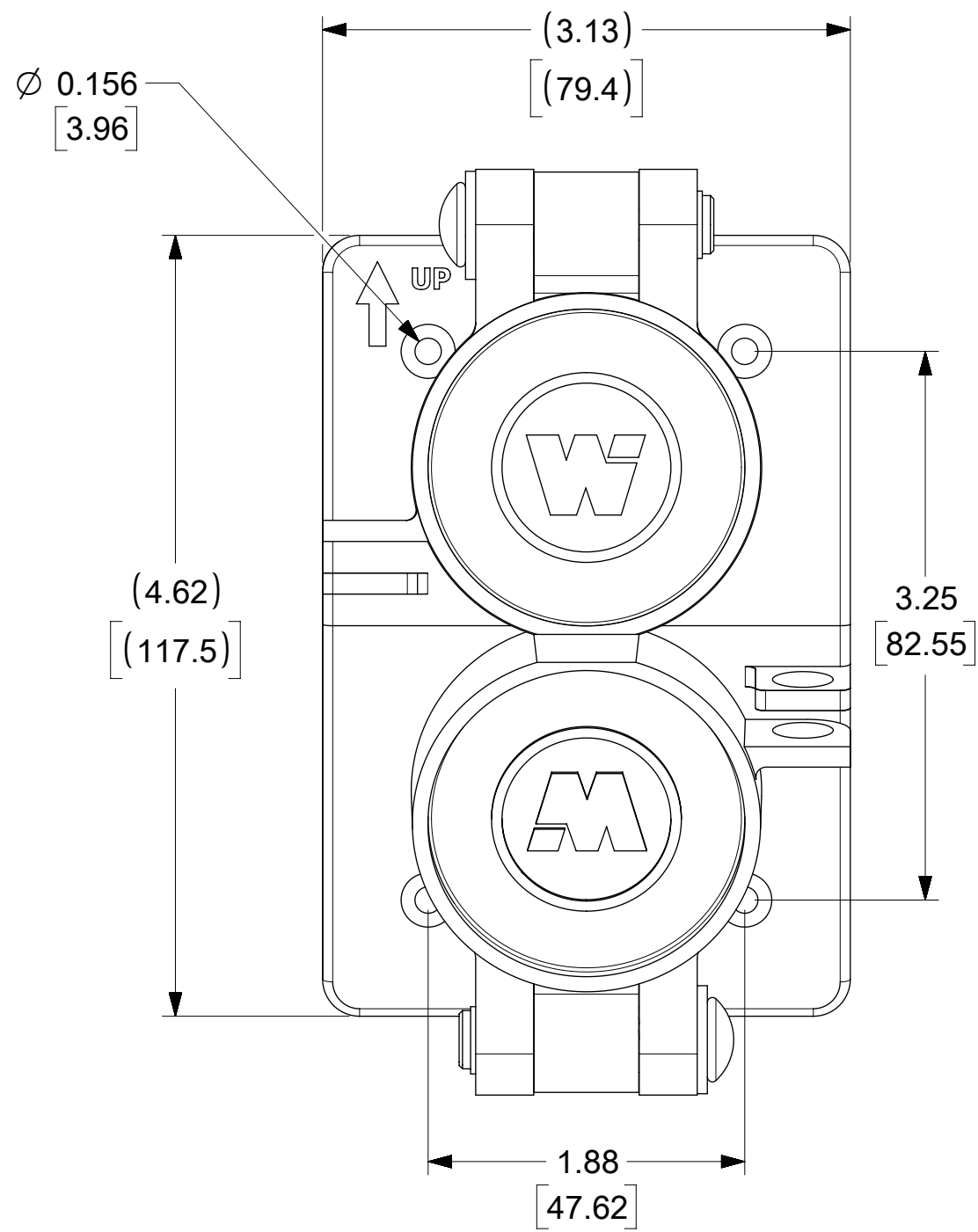
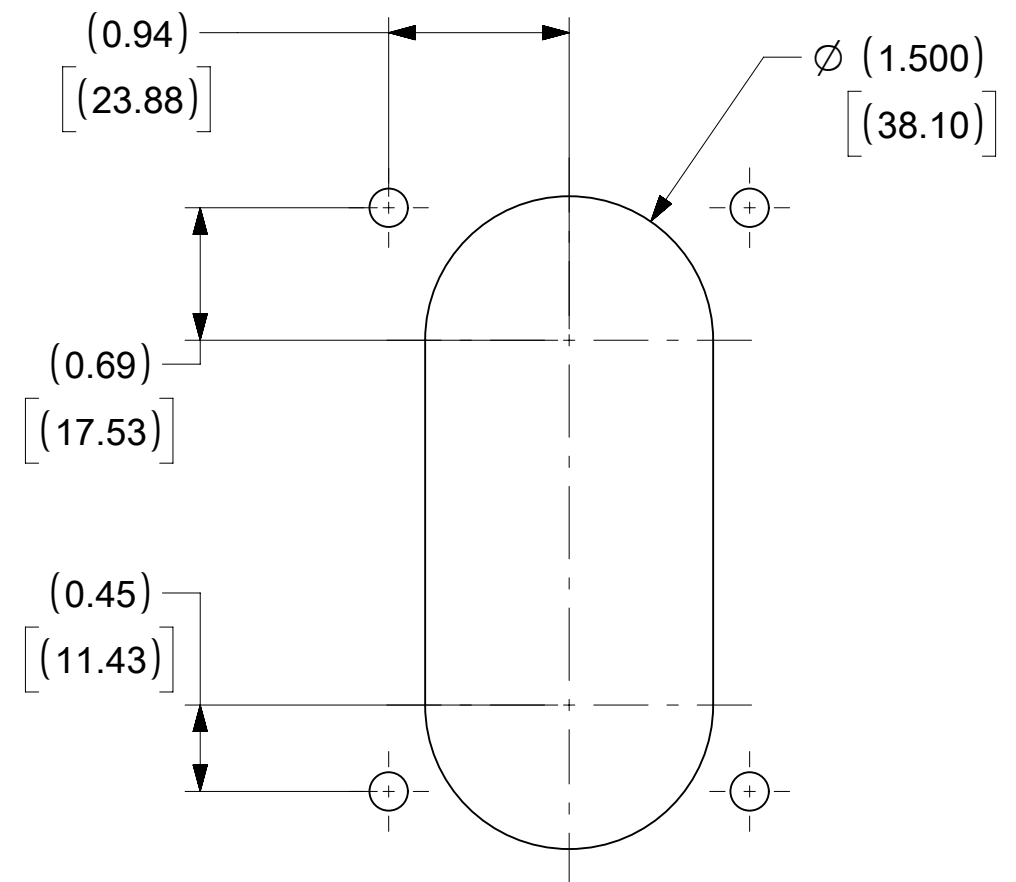


ORDER NO.	WOODHEAD NO.	COLOR
130146-0146	65W07DPLX	YELLOW



FACE VIEW



CLEARANCE HOLE
(FOR PANEL MOUNT)

DESCRIPTION	MATERIAL	QTY.
RETAINING SCREWS	STAINLESS STEEL	6
INSERT ASSY	NYLON, BRASS, NICKEL & ZINC PLATED	2
GASKET	NEOPRENE	1
BASE PLATE	POLYCARBONATE	1
COVER FLIP LID	POLYCARBONATE	2
COVER PLATE	STAINLESS STEEL	1
SCREW (GROUND WIRE)	STAINLESS STEEL	1
FLAT WASHER	STAINLESS STEEL	2
RIVET	ALUMINUM	2
TORSION SPRING	STAINLESS STEEL WIRE	2
WASHER	STAINLESS STEEL	2
DOME PUSH CAP	STAINLESS STEEL	2
JUMPER WIRE ASSY	COPPER, BRASS (TINNED FINISH)	1
#12-1 BLACK WIRE	COPPER WIRE	2
#12-1 WHITE WIRE	COPPER WIRE	2
#12-1 GREEN WIRE	COPPER WIRE	2

THIS DRAWING CONTAINS INFORMATION THAT IS PROPRIETARY TO MOLEX ELECTRONIC TECHNOLOGIES, LLC AND SHOULD NOT BE USED WITHOUT WRITTEN PERMISSION									
SYMBOLS		DIMENSION UNITS		SCALE		CURRENT REV DESC: MIGRATE TO NX/ECTR			
= 0		INCH[MM]		NTS		molex WATERTITE FD DOUBLE COVERPLATE 3P3W NON-NEMA PRODUCT CUSTOMER DRAWING			
= 0		GENERAL TOLERANCES (UNLESS SPECIFIED)							
= 0		4 PLACES ±		MM		INCH		EC NO: 613663	
= 0		3 PLACES ±						DRWN: SRPATIL 2019/01/10	
= 0		2 PLACES ±						CHK'D: DNGUYEN62 2019/03/18	
= 0		1 PLACE ±						APPR: HKNEELAND 2019/03/30	
= 0		0 PLACES ±						INITIAL REVISION:	
= 0		ANGULAR TOL ± °						DRWN: SRPATIL 2019/01/10	
= 0		DRAFT WHERE APPLICABLE MUST REMAIN WITHIN DIMENSIONS						APPR: HKNEELAND 2019/03/30	
= 0		THIRD ANGLE PROJECTION		DRAWING		SERIES		MATERIAL NUMBER	
		C-SIZE		130146		SEE TABLE		CUSTOMER	
								GENERAL MARKET	
								SHEET NUMBER	
								1 OF 1	

DOCUMENT STATUS	P1	RELEASE DATE	2019/03/30 22:56:19
-----------------	----	--------------	---------------------