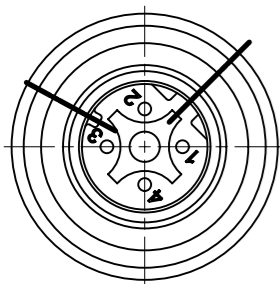


M12 4 POLE MALE



VIEW FROM THE FRONT SIDE

Pin	Wire color
1	WH/OG
2	WH/GN
3	OG
4	GN

PART No. MATRIX

E W W A 0 6 2 1 5 M X X X

E=ETHERNET

HEADS:  
W=M12 4-Pole Ultra Lock D-Coding  
W=M12 4-Pole Ultra Lock D-Coding

HEADS STYLE:  
062=MALE STR / MALE RA

UNITS:  
M=METER  
T=10x METER

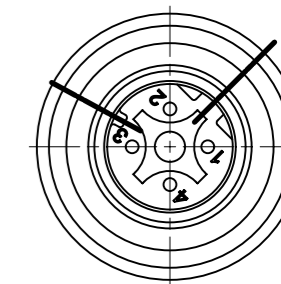
WIRING TYPE:  
A=4 Pole (STRAIGHT WIRED)

CABLE TYPE

LENGTH EXAMPLES:  
005=0.5m  
010=1m  
150=15m

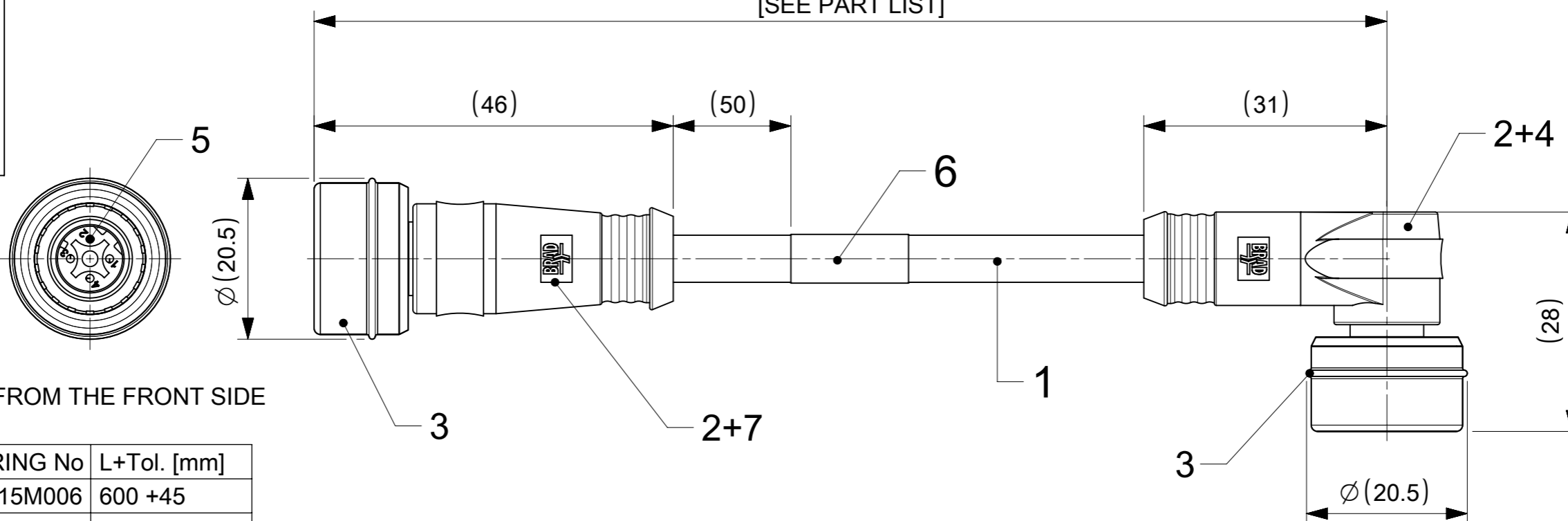
L+Tol.  
[SEE PART LIST]

M12 4 POLE MALE

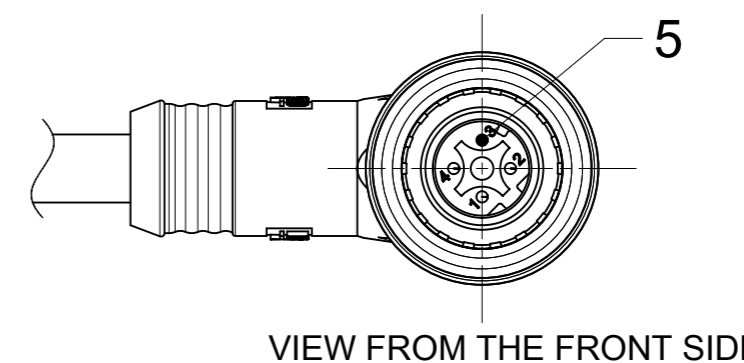


VIEW FROM THE FRONT SIDE

Pin	Wire color
1	WH/OG
2	WH/GN
3	OG
4	GN



VIEW FROM THE FRONT SIDE



VIEW FROM THE FRONT SIDE

PART LIST

MOLEX PN	ENGINEERING No	L+Tol. [mm]
1201080049	EWWA06215M006	600 +45
1201080050	EWWA06215M010	1000+56
1201080051	EWWA06215M020	2000 +89
1201080052	EWWA06215M050	5000+165
1201080053	EWWA06215M100	10000+317
1201080054	EWWA06215M150	15000+622
1201080055	EWWA06215M300	30000+622
1201088209	EWWA06215M200	20000+622
1201088210	EWWA06215M400	40000+800
1201088211	EWWA06215M600	60000+1200
1201088212	EWWA06215M800	80000+1600
1201088213	EWWA06215T100	100000+2000

BOM

ITEM	QTY.	DESCRIPTION	MATERIAL	FINISH / COLOR
7	1	M12S-SLEEVE STRAIGHT	BRASS	Ni-PLATED
6	1	WRAP LABEL	VINYL	YELLOW
5	8	CONTACT MALE	BRASS	GOLD OVER Ni-PLATED
4	1	SHIELD CLOSURE CAP 90	BRASS	Ni-PLATED
3	2	ULTRALOCK ASSEMBLY MALE	-	-
2	-	MOULDING MATERIAL	TPU	BLACK
1	-	CABLE SHIELDED PVC CAT5E	PVC	TEAL

DOCUMENT STATUS	P1	RELEASE DATE	2022/04/22	06:35:56
-----------------	----	--------------	------------	----------

NOTES :

ACC. TO CAT5e ETHERNET STD.  
MAX. VOLTAGE : 30V  
MAX. CURRENT : 1.5A  
IP RATING : IP67  
TEMPERATURE RANGE : -20°C TO +75°C

FUNCTIONAL SYMBOLS	THIS DRAWING CONTAINS INFORMATION THAT IS PROPRIETARY TO MOLEX ELECTRONIC TECHNOLOGIES, LLC AND SHOULD NOT BE USED WITHOUT WRITTEN PERMISSION	CURRENT REV DESC:		<b>molex</b>																														
	<table border="1"> <tr><td>FUNCTIONAL SYMBOLS</td><td>THIS DRAWING CONTAINS INFORMATION THAT IS PROPRIETARY TO MOLEX ELECTRONIC TECHNOLOGIES, LLC AND SHOULD NOT BE USED WITHOUT WRITTEN PERMISSION</td></tr> <tr><td>▽A = 0</td><td>mm 3:2</td></tr> <tr><td>▽E = 0</td><td>GENERAL TOLERANCES (UNLESS SPECIFIED)</td></tr> <tr><td>▽V = 0</td><td>ANGULAR TOL ± 1.0°</td></tr> <tr><td>4 PLACES</td><td>±</td></tr> <tr><td>3 PLACES</td><td>±</td></tr> <tr><td>2 PLACES</td><td>± 0.05</td></tr> <tr><td>1 PLACE</td><td>± 0.3</td></tr> <tr><td>0 PLACES</td><td>± 0.5</td></tr> </table>	FUNCTIONAL SYMBOLS	THIS DRAWING CONTAINS INFORMATION THAT IS PROPRIETARY TO MOLEX ELECTRONIC TECHNOLOGIES, LLC AND SHOULD NOT BE USED WITHOUT WRITTEN PERMISSION			▽A = 0	mm 3:2	▽E = 0	GENERAL TOLERANCES (UNLESS SPECIFIED)	▽V = 0	ANGULAR TOL ± 1.0°	4 PLACES	±	3 PLACES	±	2 PLACES	± 0.05	1 PLACE	± 0.3	0 PLACES	± 0.5	<table border="1"> <tr><td>EC NO:</td><td>703538</td></tr> <tr><td>DRWN:</td><td>SSM</td></tr> <tr><td>CHK'D:</td><td>RSILLER</td></tr> <tr><td>APPR:</td><td>RSILLER</td></tr> </table>		EC NO:	703538	DRWN:	SSM	CHK'D:	RSILLER	APPR:	RSILLER	<table border="1"> <tr><td>DATE:</td><td>2022/03/29</td></tr> <tr><td>DATE:</td><td>2022/04/22</td></tr> </table>		DATE:
FUNCTIONAL SYMBOLS	THIS DRAWING CONTAINS INFORMATION THAT IS PROPRIETARY TO MOLEX ELECTRONIC TECHNOLOGIES, LLC AND SHOULD NOT BE USED WITHOUT WRITTEN PERMISSION																																	
▽A = 0	mm 3:2																																	
▽E = 0	GENERAL TOLERANCES (UNLESS SPECIFIED)																																	
▽V = 0	ANGULAR TOL ± 1.0°																																	
4 PLACES	±																																	
3 PLACES	±																																	
2 PLACES	± 0.05																																	
1 PLACE	± 0.3																																	
0 PLACES	± 0.5																																	
EC NO:	703538																																	
DRWN:	SSM																																	
CHK'D:	RSILLER																																	
APPR:	RSILLER																																	
DATE:	2022/03/29																																	
DATE:	2022/04/22																																	
DIVISIONAL SYMBOLS	<table border="1"> <tr><td>DRWN:</td><td>SSM</td></tr> <tr><td>APPR:</td><td>RSILLER</td></tr> </table>	DRWN:	SSM	APPR:	RSILLER	<table border="1"> <tr><td>DATE:</td><td>2022/03/29</td></tr> <tr><td>DATE:</td><td>2022/04/22</td></tr> </table>		DATE:	2022/03/29	DATE:	2022/04/22	<table border="1"> <tr><td>DOCUMENT NUMBER</td><td>1201080049</td></tr> <tr><td>DOC TYPE</td><td>PSD</td></tr> <tr><td>DOC PART</td><td>000</td></tr> <tr><td>REVISION</td><td>A</td></tr> </table>		DOCUMENT NUMBER	1201080049	DOC TYPE	PSD	DOC PART	000	REVISION	A													
DRWN:	SSM																																	
APPR:	RSILLER																																	
DATE:	2022/03/29																																	
DATE:	2022/04/22																																	
DOCUMENT NUMBER	1201080049																																	
DOC TYPE	PSD																																	
DOC PART	000																																	
REVISION	A																																	
DRAFT WHERE APPLICABLE MUST REMAIN WITHIN DIMENSIONS		THIRD ANGLE PROJECTION	DRAWING	SERIES	MATERIAL NUMBER	CUSTOMER	SHEET NUMBER																											
			A3-SIZE	120108	SEE PART LIST	GENERAK MARKET	1 OF 1																											

6

5

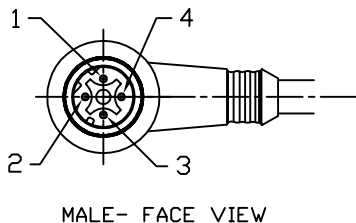
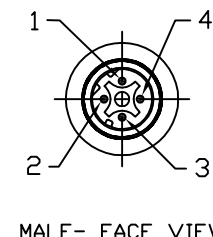
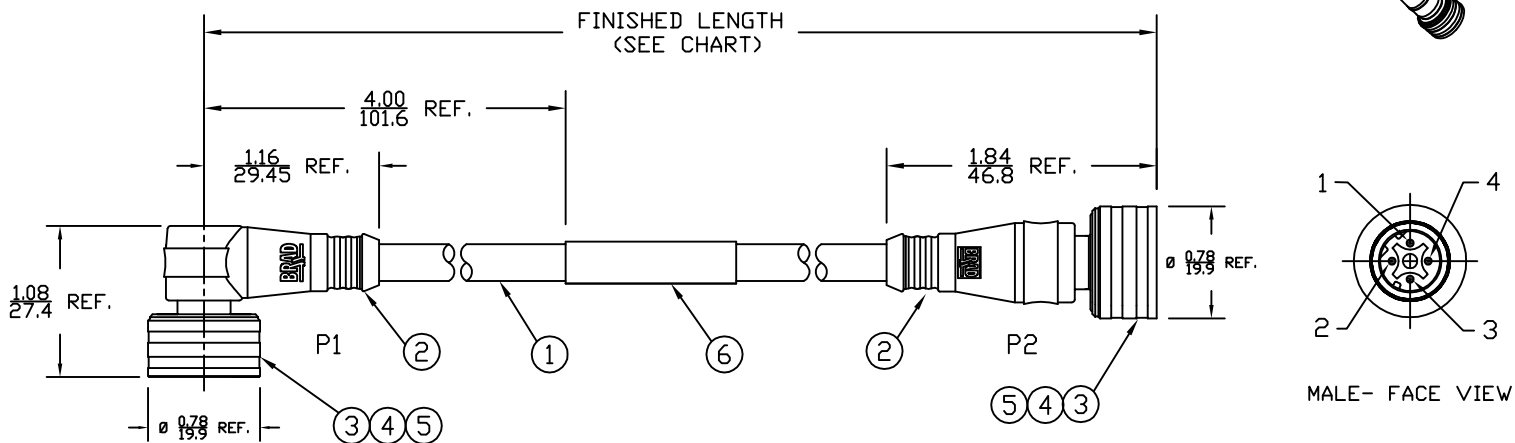
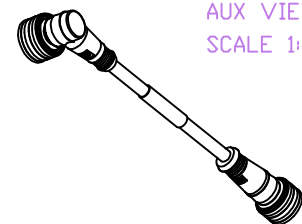
4

3

2

1

PART NUMBER	ENGINEERING NO.	LENGTH ± TOLERANCE
1201080050	EWWA06215M010	3' 3" +2.19"/-0" [ 1M +55.6/-0 mm ]
1201080052	EWWA06215M050	16' 4" +6.5"/-0" [ 5M +165.0/-0 mm ]



P1		P2	
1	WHITE/DRG	1	
2	WHITE/GRN	2	
3	ORANGE	3	
4	GREEN	4	

WIRING DIAGRAM

- NOTES:
- 1) MATERIAL: SEE TABLE
  - 2) FINISHES: SEE TABLE
  - 3) CABLE: #26/4 SHIELDED PVC
  - 4) ELECTRICAL DATA: ACCORDING TO CAT5e ETHERNET STANDARD  
MAX. VOLTAGE: 30V  
MAX. CURRENT 1.5A
  - 5) ENVIRONMENTAL: PROTECTION IP67  
TEMPERATURE RANGE: -20°C TO 75°C
  - 6) WRAP LABEL IS MARKED WITH P/N, DATE CODE, VOLTAGE & AMPERAGE.
  - 7) ASSEMBLY IS RoHS COMPLIANT.

ITEM	QTY.	DESCRIPTION	MATERIAL	FINISH
6	1	LABEL	PLASTIC FILM	BLACK/YELLOW
5	2	INSERT	PUR	BLACK
4	8	PIN CONTACT	COPPER ALLOY	GOLD PLATED
3	2	M12 ULTRA-LOCK HEAD ASSY	BRASS	NICKEL
2	2	OVERMOLD	PUR	BLACK
1	1	ETHERNET CABLE-CAT5E	PVC JACKET	TEAL

SD RELEASE EC NO: MEL2010-0005 7/7/09 DRWN: VOU CHKD: BWOODMAN APPR: JFMURPHY 2009/07/20	QUALITY SYMBOLS	GENERAL TOLERANCES (UNLESS SPECIFIED)	DIMENSION STYLE IN/MM	SCALE 3:4	DESIGN UNITS INCH	THIRD ANGLE PROJECTION																											
	$\nabla=0$ $\nabla C=0$	<table border="1"> <tr> <th></th> <th>mm</th> <th>INCH</th> </tr> <tr> <td>4 PLACES</td> <td>±----</td> <td>±----</td> </tr> <tr> <td>3 PLACES</td> <td>±----</td> <td>±.005</td> </tr> <tr> <td>2 PLACES</td> <td>±----</td> <td>±.010</td> </tr> <tr> <td>1 PLACE</td> <td>±----</td> <td>±.020</td> </tr> </table>		mm	INCH	4 PLACES	±----	±----	3 PLACES	±----	±.005	2 PLACES	±----	±.010	1 PLACE	±----	±.020	<table border="1"> <tr> <td>DRAWN BY</td> <td>DATE</td> </tr> <tr> <td>VOU</td> <td>2009/07/07</td> </tr> <tr> <td>CHECKED BY</td> <td>DATE</td> </tr> <tr> <td>BWOODMAN</td> <td>2009/07/31</td> </tr> <tr> <td>APPROVED BY</td> <td>DATE</td> </tr> <tr> <td>---</td> <td>---</td> </tr> </table>	DRAWN BY	DATE	VOU	2009/07/07	CHECKED BY	DATE	BWOODMAN	2009/07/31	APPROVED BY	DATE	---	---	TITLE <b>M12 ULTRA-LOCK CABLE ASSY</b> <b>4P M/MP ST/90 D-CODE</b> <b>#26/4 SHIELDED PVC</b>		
		mm	INCH																														
	4 PLACES	±----	±----																														
3 PLACES	±----	±.005																															
2 PLACES	±----	±.010																															
1 PLACE	±----	±.020																															
DRAWN BY	DATE																																
VOU	2009/07/07																																
CHECKED BY	DATE																																
BWOODMAN	2009/07/31																																
APPROVED BY	DATE																																
---	---																																
1	DESCRIPTION	ANGULAR ± 1/2° <b>DRAFT WHERE APPLICABLE MUST REMAIN WITHIN DIMENSIONS</b>	MATERIAL NO. <b>SEE CHART</b>	mox <b>MOLEX INCORPORATED</b>	DOCUMENT NO. <b>SD-120108-005</b>	SHEET NO. <b>1 OF 1</b>																											

THIS DRAWING CONTAINS INFORMATION THAT IS PROPRIETARY TO MOLEX INCORPORATED AND SHOULD NOT BE USED WITHOUT WRITTEN PERMISSION

6

5

4

3

2

1

E

E

D

D

C

C

B

B

A

A