

High-Speed, Low r_{ON} , SPDT Analog Switch (2:1 Multiplexer)

DESCRIPTION

The DG2307 is a single-pole-double-throw switch/2:1 mux designed for 2 to 5.5 V applications. Using Vishay Siliconix proprietary sub-micro CMOS process, the DG2307 achieves low on-resistance, low power consumption. It is 1.6 V TTL logic compatible across the operation voltage range. With its low r_{ON} and low parasitic capacitance character, it is ideal for clock signal and high speed data stream switching. It has low insertion loss and negligible propagation delay.

The DG2307 can handle both analog and digital signals and permits signals to be transmitted in either direction. When Bn pin is at off status, the path will have a high impedance with respect to the output. Break before make is guaranteed.

As a committed partner to the community and the environment, Vishay Siliconix manufactures this product with the lead (Pb)-free device terminations. For analog switching products manufactured with 100 % matte tin device terminations, the lead (Pb)-free "-E3" suffix is being used as a designator.

FEATURES

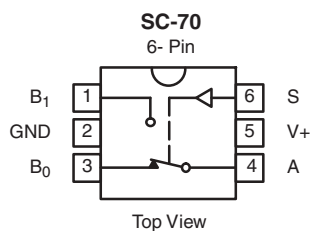
- Operates From Single 2 ~ 5.5 V
- SC70-6 Package
- 5Ω Switch Connection Between Ports
- Minimal Propagation Delay
- TTL Compatible Input Level
- RoHS Compliant


RoHS
COMPLIANT

APPLICATIONS

- Cellular Phones
- PDAs
- GPS
- MP3
- Data Acquisition

FUNCTIONAL BLOCK DIAGRAM AND PIN CONFIGURATION



Device Marking: G1

TRUTH TABLE

Logic Input (S)	Function
0	B ₀ Connected to A
1	B ₁ Connected to A

ORDERING INFORMATION

Temp Range	Package	Part Number
- 40 to 85 °C	SC70-6	DG2307DL-T1-E3



ABSOLUTE MAXIMUM RATINGS			
Parameter		Limit	Unit
Reference V+ to GND		- 0.3 to + 6	V
S, A, B ^a		- 0.3 to (V+ + 0.3 V)	
Continuous Current (Any terminal)		± 50	mA
Peak Current (Pulsed at 1 ms, 10 % duty cycle)		± 200	
Storage Temperature	(D Suffix)	- 65 to 150	°C
Power Dissipation (Packages) ^b	6-Pin SC70 ^c	250	mW

Notes:

- a. Signals on A, or B or S exceeding V+ will be clamped by internal diodes. Limit forward diode current to maximum current ratings.
- b. All leads welded or soldered to PC Board.
- c. Derate 3.1 mW/°C above 70 °C.

Stresses beyond those listed under “Absolute Maximum Ratings” may cause permanent damage to the device. These are stress ratings only, and functional operation of the device at these or any other conditions beyond those indicated in the operational sections of the specifications is not implied. Exposure to absolute maximum rating conditions for extended periods may affect device reliability.

SPECIFICATIONS								
Parameter	Symbol	Test Conditions Otherwise Unless Specified V+ = 3.0 V, V _S = 0.25 V to 0.7 V+ ^e		Temp ^a	Limits - 40 to 85 °C			Unit
		Min ^b	Typ ^c		Max ^b			
DC Characteristics								
High Level Input Voltage	V _{SH}	V+ = 2.3 to 5.5 V		Full	0.7 V+			V
Low Level Input Voltage	V _{SL}	V+ = 2.3 to 5.5 V		Full			0.3 V+	
On Resistance	R _{ON}	V+ = 4.5 V	V _{BN} = 0 V, I _A = - 30 mA	Full		4	6	Ω
			V _{BN} = 2.3 V, I _A = - 30 mA	Full		9	12	
		V+ = 3.0 V	V _{BN} = 0 V, I _A = - 24 mA	Full		6	9	
			V _{BN} = 1.5 V, I _A = - 24 mA	Full		13.5	20	
On Resistance Matching Between Channels	ΔR _{ON}	V+ = 4.5 V, V _{BN} = 0 V, I _A = - 30 mA		Room		0.32		
		V+ = 3.0 V, V _{BN} = 0 V, I _A = - 24 mA		Room		0.31		
Input Leakage Current	I _S	V+ = 5.5 V, V _A = 5.5 V		Room Full	- 0.1 - 1.0		0.1 - 1.0	μA
Off Stage Switch Leakage	I _{BN(off)}	V+ = 5.5 V, V _A /V _B = 0 V/5.5 V		Room Full	- 0.1 - 1.0		0.1 - 1.0	
On State Switch Leakage	I _{BN(on)}	V+ = 5.5 V, V _A /V _B = 0 V/5.5 V		Room Full	- 0.1 - 1.0		0.1 - 1.0	
Power Supply								
Power Supply Range	V+			Full	2		5.5	
Quiescent Supply Current	I+	V+ = 5.5 V, V _A = V _B = V+ or GND		Room Full			1 10	μA



SPECIFICATIONS							
Parameter	Symbol	Test Conditions Otherwise Unless Specified $V_+ = 3.0\text{ V}$, $V_S = 0.25\text{ V}$ to 0.7 V ^e	Temp ^a	Limits - 40 to 85 °C			Unit
				Min ^b	Typ ^c	Max ^b	
AC Electrical Characteristics							
Prop Delay Time ^f	t_{PHL}/t_{PLH}	$V_A = 0\text{ V}$	$V_+ = 2.3$ to 2.7 V	Full		1.2	ns
			$V_+ = 3.0$ to 3.6 V	Full		0.8	
			$V_+ = 4.5$ to 5.5 V	Full		0.3	
Output Enable Time ^f	t_{PZL}/t_{PZH}	$V_{LOAD} = 2 \times V_+$ for t_{PZL} $V_{LOAD} = 0\text{ V}$ for t_{PZH}	$V_+ = 2.3$ to 2.7 V	Room Full		5.9 6.2	ns
			$V_+ = 3.0$ to 3.6 V	Room Full		4.1 4.5	
			$V_+ = 4.5$ to 5.5 V	Room Full		2.6 2.9	
Output Disable Time ^f	t_{PLZ}/t_{PHZ}	$V_{LOAD} = 2 \times V_+$ for t_{PLZ} $V_{LOAD} = 0\text{ V}$ for t_{PHZ}	$V_+ = 2.3$ to 2.7 V	Room Full		5.9 6.2	ns
			$V_+ = 3.0$ to 3.6 V	Room Full		4.1 4.5	
			$V_+ = 4.5$ to 5.5 V	Room Full		2.6 2.9	
Break-Before-Make Time ^d	t_{BBM}		$V_+ = 2.3$ to 2.7 V	Full	0.5		pC
			$V_+ = 3.0$ to 3.65 V	Full	0.5		
			$V_+ = 4.5$ to 5.5 V	Full	0.5		
Charge Injection ^d	Q	$C_L = 0.1\text{ nF}$, $V_{GEN} = 0\text{ V}$ $R_{GEN} = 0\ \Omega$	$V_+ = 5\text{ V}$	Room		7	pC
			$V_+ = 3.3\text{ V}$	Room		3	
Analog Switch Characteristics							
Off Isolation ^d	OIRR	$V_+ = 5\text{ V}$, $R_L = 50\ \Omega$, $f = 10\text{ MHz}$	Room		- 57.6		dB
Crosstalk ^d	X_{TALK}		Room		- 58.7		
- 3 db Bandwidth ^d	BW	$R_L = 50\ \Omega$	Room		250		MHz
Capacitance							
Control Pin Capacitance ^d	C_{IN}	$V_+ = 0\text{ V}$	Room		4.9		pF
B Port Off Capacitance ^d	C_{IO-B}	$V_+ = 5\text{ V}$	Room		6.5		
A Port Capacitance When Switch Enable ^d	$C_{IO-A(on)}$		Room		18.5		

Notes:

- a. Room = 25 °C, Full = as determined by the operating suffix.
- b. The algebraic convention whereby the most negative value is a minimum and the most positive a maximum, is used in this data sheet.
- c. Typical values are for design aid only, not guaranteed nor subject to production testing.
- d. Guarantee by design, nor subjected to production test.
- e. V_{IN} = input voltage to perform proper function.
- f. Guaranteed by design and not production tested. The bus switch propagation delay is a function of the RC time constant contributed by the on-resistance and the specified load capacitance with an ideal voltage source (zero output impedance) driving the switch.

LOGIC DIAGRAM (POSITIVE LOGIC)

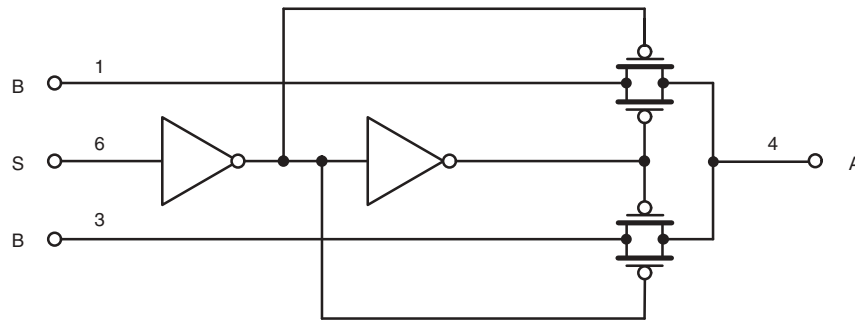
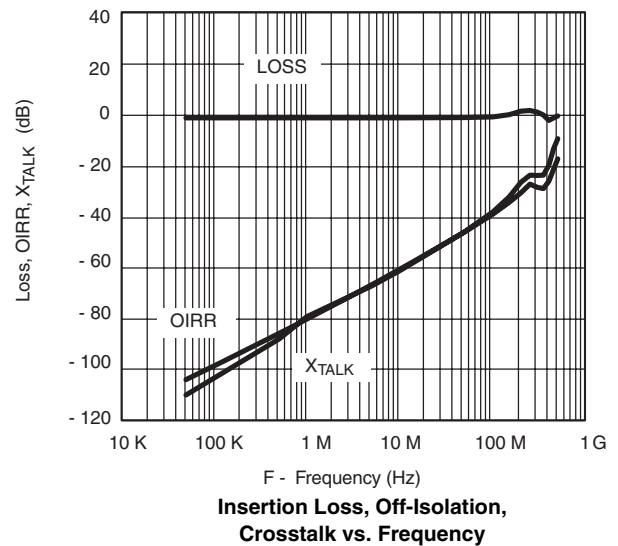
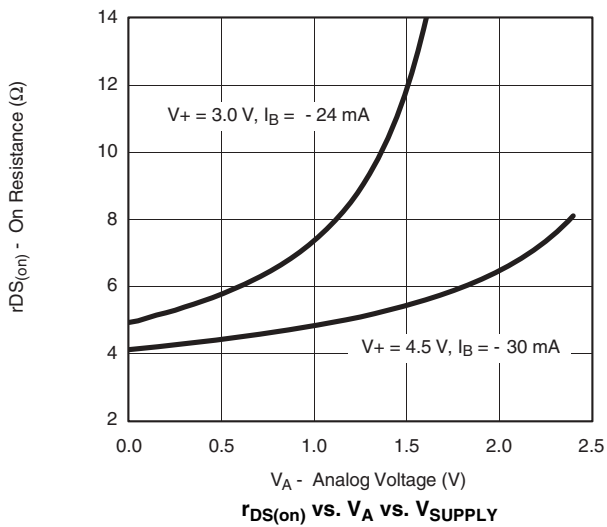


Figure 1.

TYPICAL CHARACTERISTICS 25 °C, unless otherwise noted



AC LOADING AND WAVEFORMS

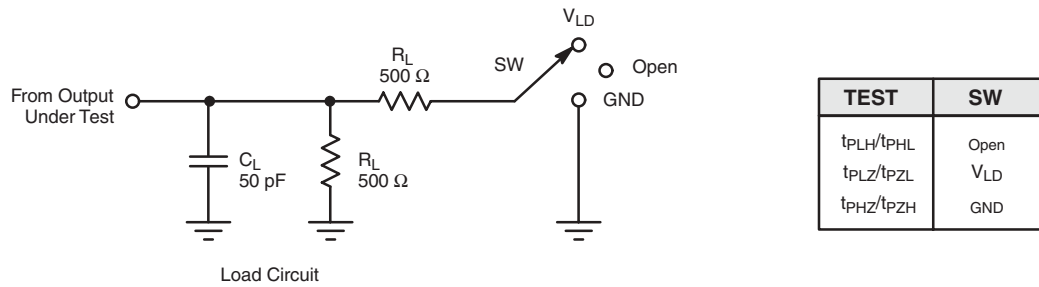


Figure 2. AC Test Circuit

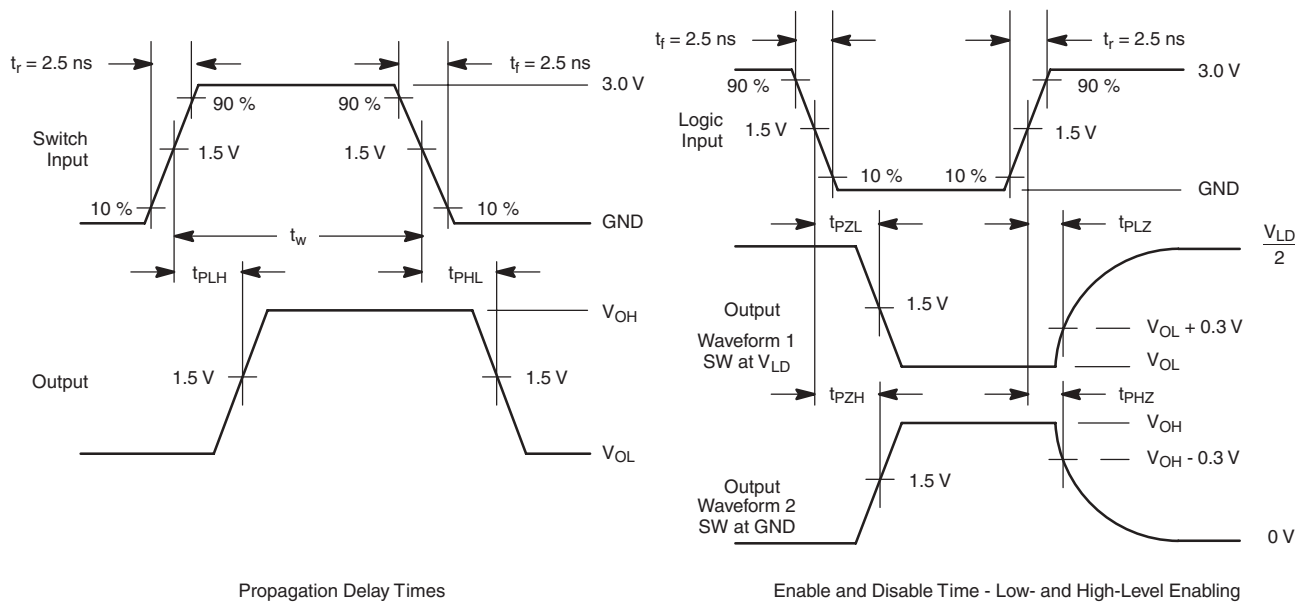
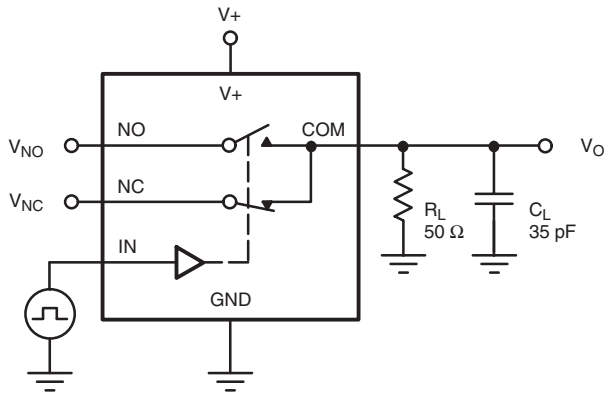


Figure 3. AC Waveforms

Notes:

- a. C_L includes probe and jig capacitance.
- b. Waveform 1 is for an output with internal conditions such that the output is low except when disabled by the output control.
- c. Waveform 2 is for an output with internal conditions such that the output is high except when disabled by the output control.
- d. All input pulses are supplied by generators having the following characteristics: $PRR \leq 10 \text{ MHz}$, $Z_O = 50 \Omega$.
- e. The outputs are measured one at a time with one transition per measurement.
- f. t_{PLZ} and t_{PHZ} are the same as t_{dis} .
- g. t_{PZL} and t_{PZH} are the same as t_{dis} .
- h. t_{PLH} and t_{PHL} are the same as t_{dis} .
- i. $V_{LD} = 2 \text{ V+}$.

TEST CIRCUITS



C_L (includes fixture and stray capacitance)

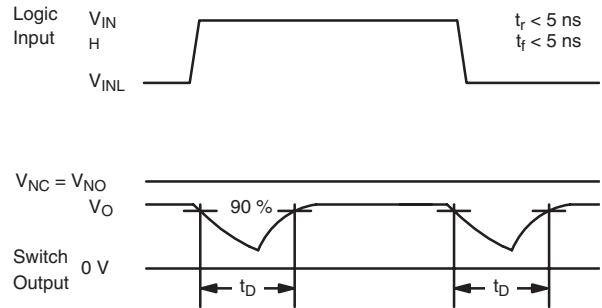
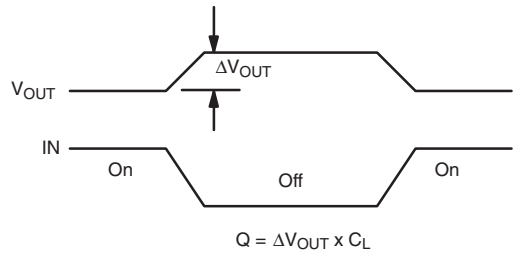
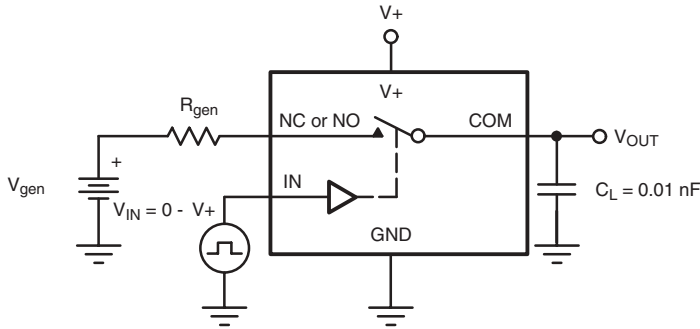


Figure 4. Break-Before-Make Interval



IN depends on switch configuration: input polarity determined by sense of switch.

Figure 5. Charge Injection

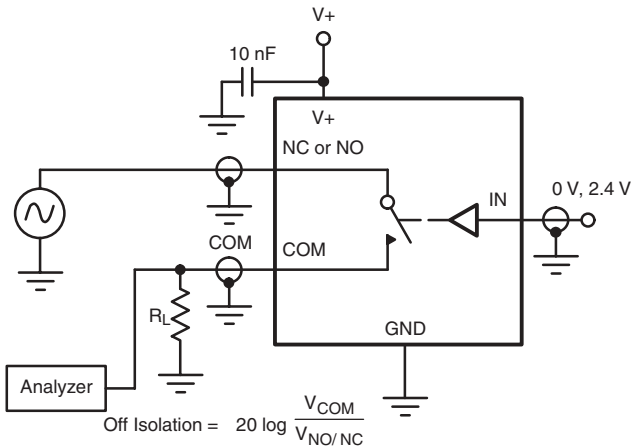


Figure 6. Off-Isolation

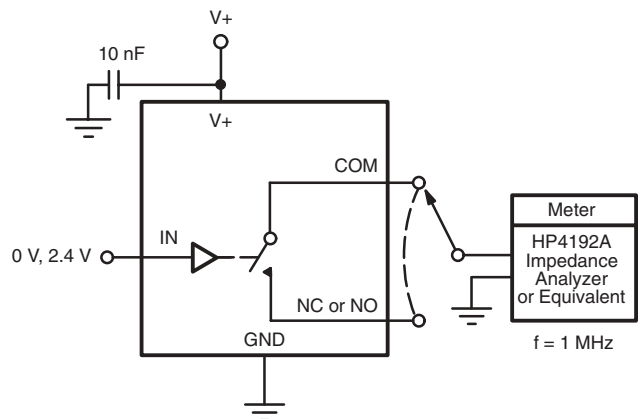


Figure 7. Channel Off/On Capacitance

Vishay Siliconix maintains worldwide manufacturing capability. Products may be manufactured at one of several qualified locations. Reliability data for Silicon Technology and Package Reliability represent a composite of all qualified locations. For related documents such as package/tape drawings, part marking, and reliability data, see <http://www.vishay.com/ppg?73361>.



Disclaimer

All product specifications and data are subject to change without notice.

Vishay Intertechnology, Inc., its affiliates, agents, and employees, and all persons acting on its or their behalf (collectively, "Vishay"), disclaim any and all liability for any errors, inaccuracies or incompleteness contained herein or in any other disclosure relating to any product.

Vishay disclaims any and all liability arising out of the use or application of any product described herein or of any information provided herein to the maximum extent permitted by law. The product specifications do not expand or otherwise modify Vishay's terms and conditions of purchase, including but not limited to the warranty expressed therein, which apply to these products.

No license, express or implied, by estoppel or otherwise, to any intellectual property rights is granted by this document or by any conduct of Vishay.

The products shown herein are not designed for use in medical, life-saving, or life-sustaining applications unless otherwise expressly indicated. Customers using or selling Vishay products not expressly indicated for use in such applications do so entirely at their own risk and agree to fully indemnify Vishay for any damages arising or resulting from such use or sale. Please contact authorized Vishay personnel to obtain written terms and conditions regarding products designed for such applications.

Product names and markings noted herein may be trademarks of their respective owners.