

HIT-W222H

21.5" Healthcare Information Terminal with Intel® Haswell Core™ i7-4650U Processor



Features

- All-in-one computer with high performance and low power consumption
- Industrial design in a slim (49mm) and stylish form factor for healthcare and hospitality applications
- Isolated I/O for COM & LAN
- True flat touch screen for easy cleaning
- IP65 compliant front panel
- Standard 75mm/100mm VESA mounting
- Rich Options - Handset/ RFID/ Smart card reader/ Barcode Scanner/ MSR
- ITE & Medical dual certifications (EN-60950 & EN-60601-1)



Introduction

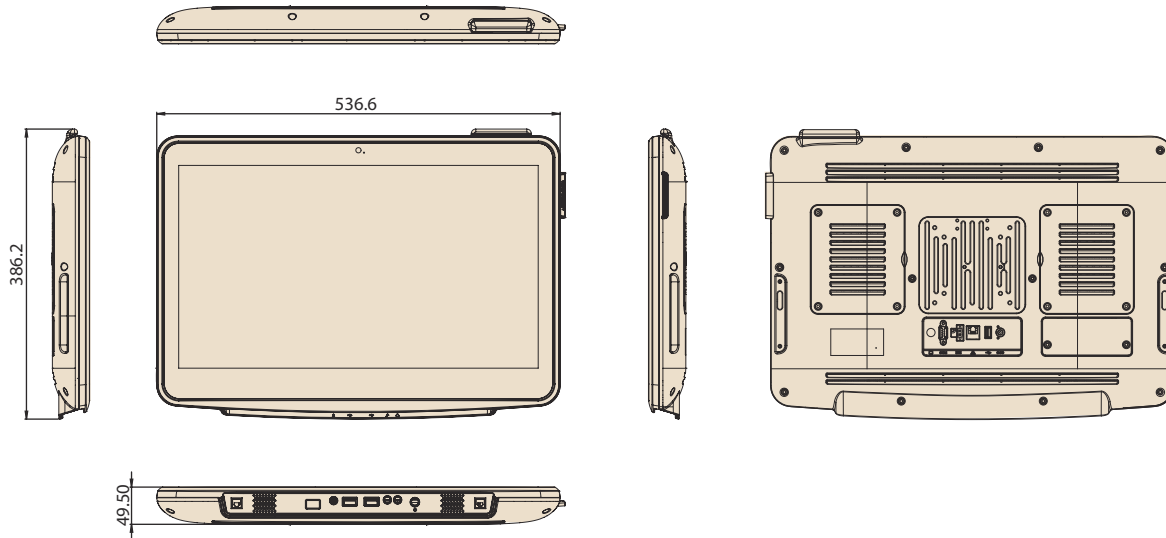
HIT-W222H is an 21.5" all-in-one information terminal for healthcare and Service IoT. It is powered by an Intel Haswell i7 processor that supports Windows and Linux operating systems. The HIT-W222H can be used for communication between family members and patients via webcam, WiFi, and Ethernet network connectivity. It can also be used to authenticate hospital staff and patients through RFID and Smart Card Reader modules. HIT-W222H is ideal for applications within hospitals, such as nurse calls control panel or bedside information terminals.

Specifications

Hardware	CPU	Intel Haswell Core i7-4650U 1.7GHz
	System Chipset	(Default) (Optional : 2.5" SSD)
	Memory	4G DDR3 (up to 8G)
	Storage	Default: 500GB HDD (Optional: SSD)
	Camera	5 Megapixel
	Bus Expansion	Mini PCIe x 2
Display	Size	21.5" (16:9)
	Max Resolution	1920 x 1080
	Brightness	250 nits
	Contrast	5000:1
Touchscreen	Type	Analog Resistive (Optional: Projective Capacitive Touch)
	Light Transmission	80%
	Durability	30 million touches
I/O	USB Port	USB 3.0x1, USB2.0x2
	Smart Card Reader	1
	RFID	1
	Line out	1
	Microphone in	1
	COM Port (Isolated)	1
Audio	Speaker	2 W x 2
	Microphone	1
Network	LAN	10/100/1000 RJ45 1+1 (Optional)
	WLAN	802.11 a/b/g/n (2T2R)
	Bluetooth	BT4.0
Emergency Alarm	LED Light Indicator	1
Bus Expansion	Mini-PCIe	2
Software	Operating System	Windows: WES7E/P, WES8, Win10. (Optional: Linux: Fedora, Ubuntu)
Mechanical	Mounting	VESA 75/100 mm
	Dimensions (W x H x D)	512 x 368 x 51.2 mm
	Weight	6.8 Kg
Options	MSR	Optional
	Barcode Scanner	Optional (1D/2D)
	Handset	Optional
Power Supply	AC/DC Adapter	
	Input Voltage	100 ~ 240 V _{ac} , 1.1 ~ 0.45 A @ 47 ~ 63 Hz
	Output Voltage	IT: 19 V _{dc} , 3.5A MAX; Medical : 16 ~ 20 V _{dc} (SET UP 18V), 5.55A MAX
Environment	Operating Temperature	0 ~ 40° C
	Vibration	1 G
	Shock	10 G
	Certifications	CE, FCC, CB, ITE UL, EN 60950 & EN 60601-1 approved

Dimensions

Unit: mm



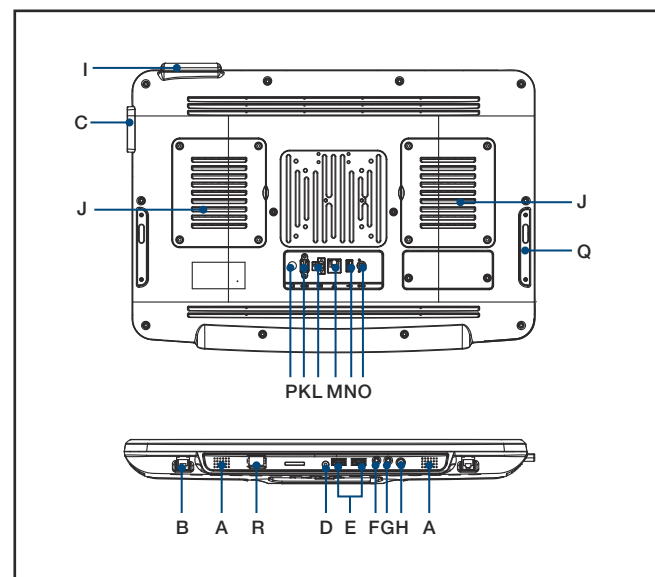
Ordering Information

Part No.	Description
HIT-W222HR-AMW1E	Haswell Core i7, Resistive Flat Touch, 4G RAM, 500G HDD, Wi-Fi, RFID, 5M Camera, WES7P, Medical Adapter

Accessories

Part Number	Description
HIT-W221-HSK0E	HIT-W221 Handset Kit

Fully- Integrated I/O



- A. Speaker
- B. RJ-12 Handset Connector
- C. Smart Card Reader
- D. MIC
- E. USB 2.0 x 2
- F. Mic-in
- G. Line Out
- H. Power Switch
- I. Led Indicator
- J. Access Door
- K. COM port (isolated)
- L. 2-Pin connector
- M. RJ-45 LAN port
- N. USB 3.0
- O. DC-In
- P. Reserved port
- Q. Handset Dock
- R. Barcode Scanner (Optional)