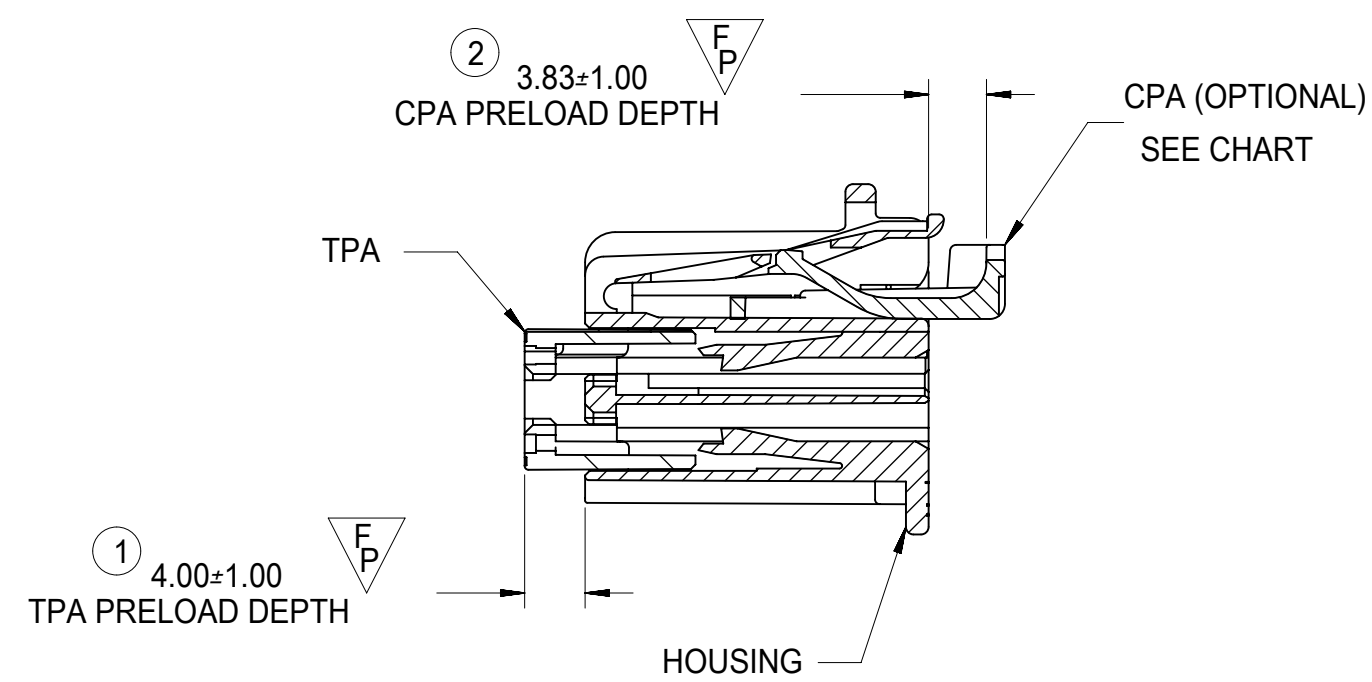
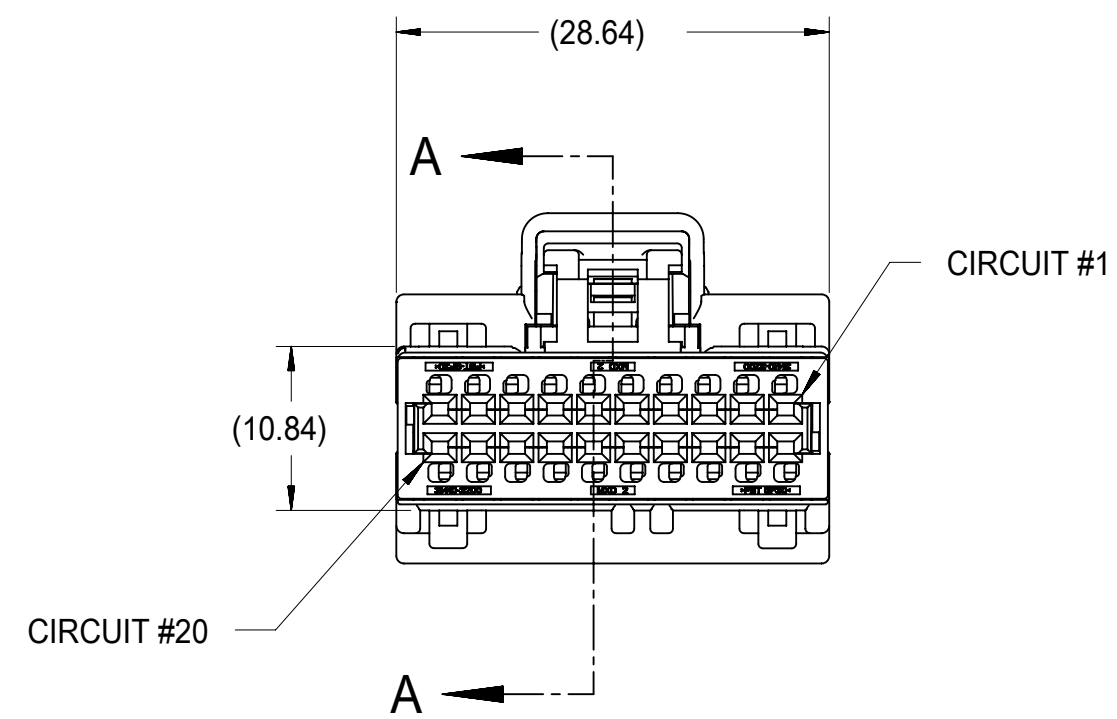
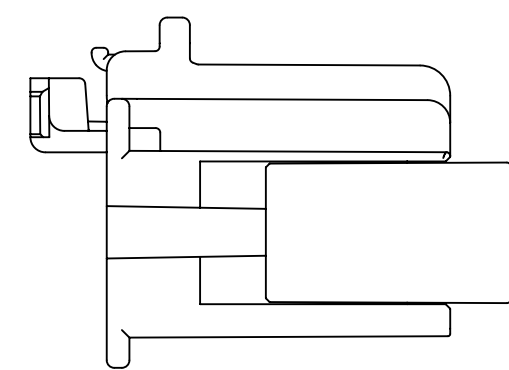
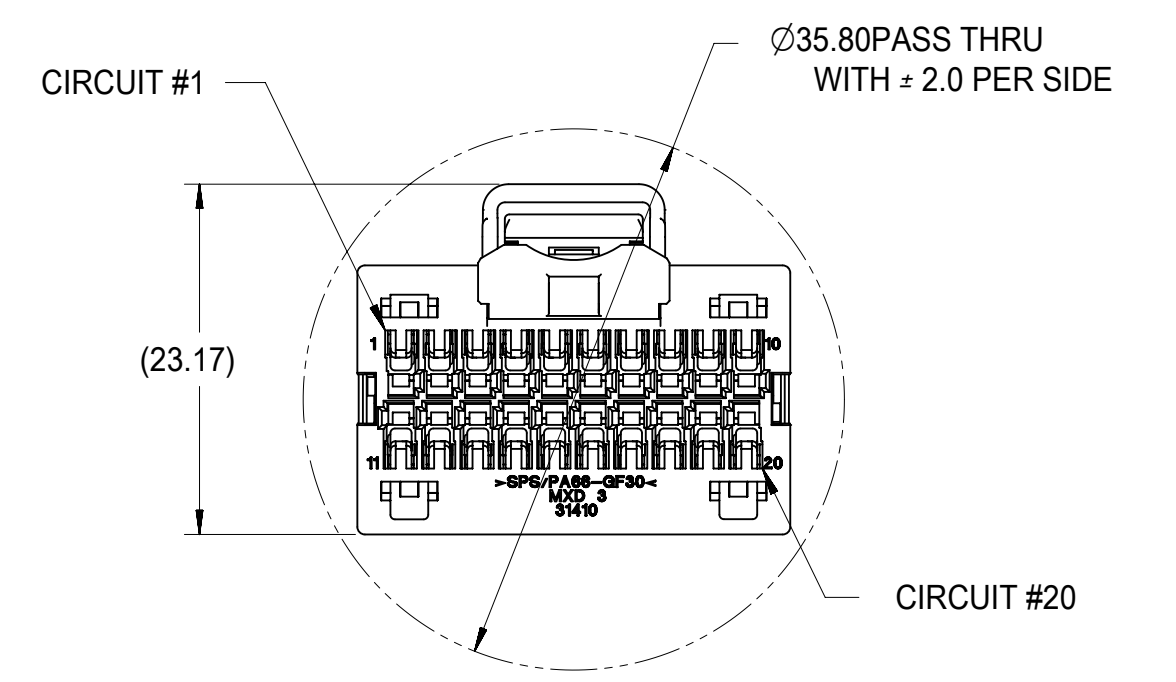


POLARIZATION OPTIONS



SECTION A-A



PART OPTIONS

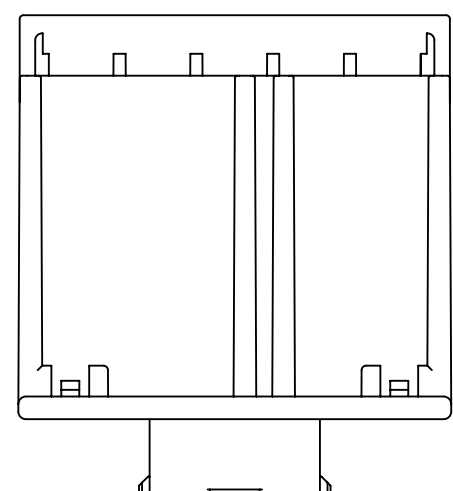
| MOLEX ASSY/PIN | HOUSING/PIN | TPA/PIN | POLARIZATION | COLOR | CPA | TOOLED |
|----------------|-------------|------------|--------------|-------|------|--------|
| 31410-0200 | 31410-2200 | 31410-3200 | A | BLACK | Y | YES |
| 31410-1200 | | | | | N | YES |
| 31410-0201 | | | 31410-2201 | B | GRAY | Y |
| 31410-1201 | N | | | | | YES |
| 31410-0202 | 31410-2202 | | C | BROWN | Y | YES |
| 31410-1202 | | | | | N | YES |
| 31410-0203 | 31410-2203 | D | GREEN | Y | YES | |
| 31410-1203 | | | | N | YES | |
| 31410-0205 | 31410-2204 | A | BLACK | Y | YES | |
| 31410-0206 | 31410-2205 | B | GRAY | Y | YES | |
| 31410-0207 | 31410-2206 | C | BROWN | Y | YES | |
| 31410-0208 | 31410-2207 | D | GREEN | Y | YES | |

GM PREFERRED

| | |
|------------------------------|----------------------------|
| MOLEX AUTOMATION ENGINEERING | FUNCTIONAL ASSEMBLY = 0 |
| CUSTOMER | FUNCTIONAL CUSTOMER = 0 |
| MOLEX PRODUCT ENGINEERING | FUNCTIONAL PERFORMANCE = 2 |

NOTES:

- DIMENSIONED IN ACCORDANCE WITH ANSI Y14.5M-1994.
- PARTS SHIPPED WITH TPA IN PRELOADED POSITION AS SHOWN UPON FULL TERMINAL ASSEMBLY, THE TPA MUST BE SNAPPED INTO ITS FINAL LOCKED POSITION.
- TPA's MAY BECOME SEATED DURING TRANSIT. IF THIS OCCURS REFERENCE MOLEX PRODUCT SPECIFICATION PS-34646-001.
- SOME CONNECTORS MAY BECOME DAMAGED DURING SHIPPING AND SHOULD BE DISCARDED.
- TO BE USED WITH YAZAKI KAIZEN CAVITY COMPATIBLE FEMALE TERMINALS.
- OPTIONAL CPA SHOWN IN ALL VIEWS. SEE TABLES FOR SPECIFIC ASSEMBLY OPTION AND NUMBER.
- PACKAGING PER DRAWING PK-31300-044.



| | | |
|-----------------------------|---|--------|
| SYMBOLS | THIS DRAWING CONTAINS INFORMATION THAT IS PROPRIETARY TO MOLEX ELECTRONIC TECHNOLOGIES, LLC AND SHOULD NOT BE USED WITHOUT WRITTEN PERMISSION | |
| | DIMENSION UNITS | SCALE |
| ▽ = 0 | mm | 1:1 |
| ▽ = 0 | GENERAL TOLERANCES (UNLESS SPECIFIED) | |
| ▽ = 0 | ANGULAR TOL | ± 3.0° |
| ▽ = 0 | 4 PLACES | ± |
| ▽ = 0 | 3 PLACES | ± |
| ▽ = 0 | 2 PLACES | ± 0.13 |
| ▽ = 0 | 1 PLACE | ± 0.25 |
| ▽ = 0 | 0 PLACES | ± |
| ■ = 0 | DRAFT WHERE APPLICABLE MUST REMAIN WITHIN DIMENSIONS | |
| ▽ = 0 | THIRD ANGLE PROJECTION | |
| CURRENT REV DESC: | | |
| EC NO: 172167 | | |
| DRWN: JFISCHER01 2018/02/09 | | |
| CHK'D: RBAUMAN 2018/02/13 | | |
| APPR: RBAUMAN 2018/02/13 | | |
| INITIAL REVISION: | | |
| DRWN: MDANIELS 2003/09/25 | | |
| APPR: BBWILSON 2004/04/16 | | |
| DRAFTING | | |
| SERIES | | |
| D-SIZE 31410 | | |
| MATERIAL NUMBER | | |
| CUSTOMER | | |
| SHEET NUMBER | | |
| GENERAL MARKET | | 1 OF 2 |

molex

USCAR 0.64MM RECEPTACLE SALES DRAWING, 20 CKT.

PRODUCT CUSTOMER DRAWING

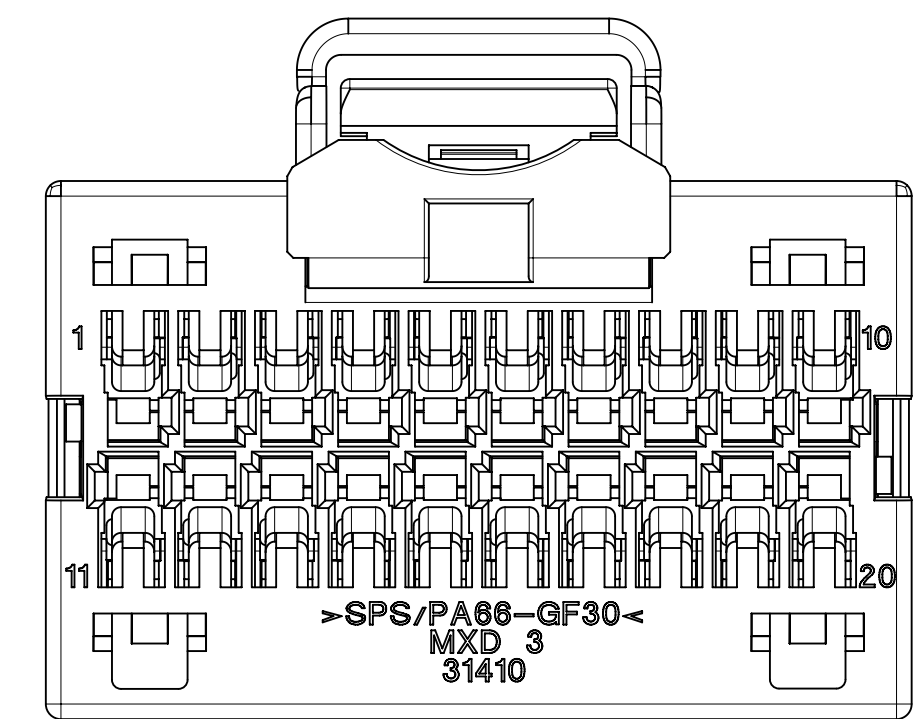
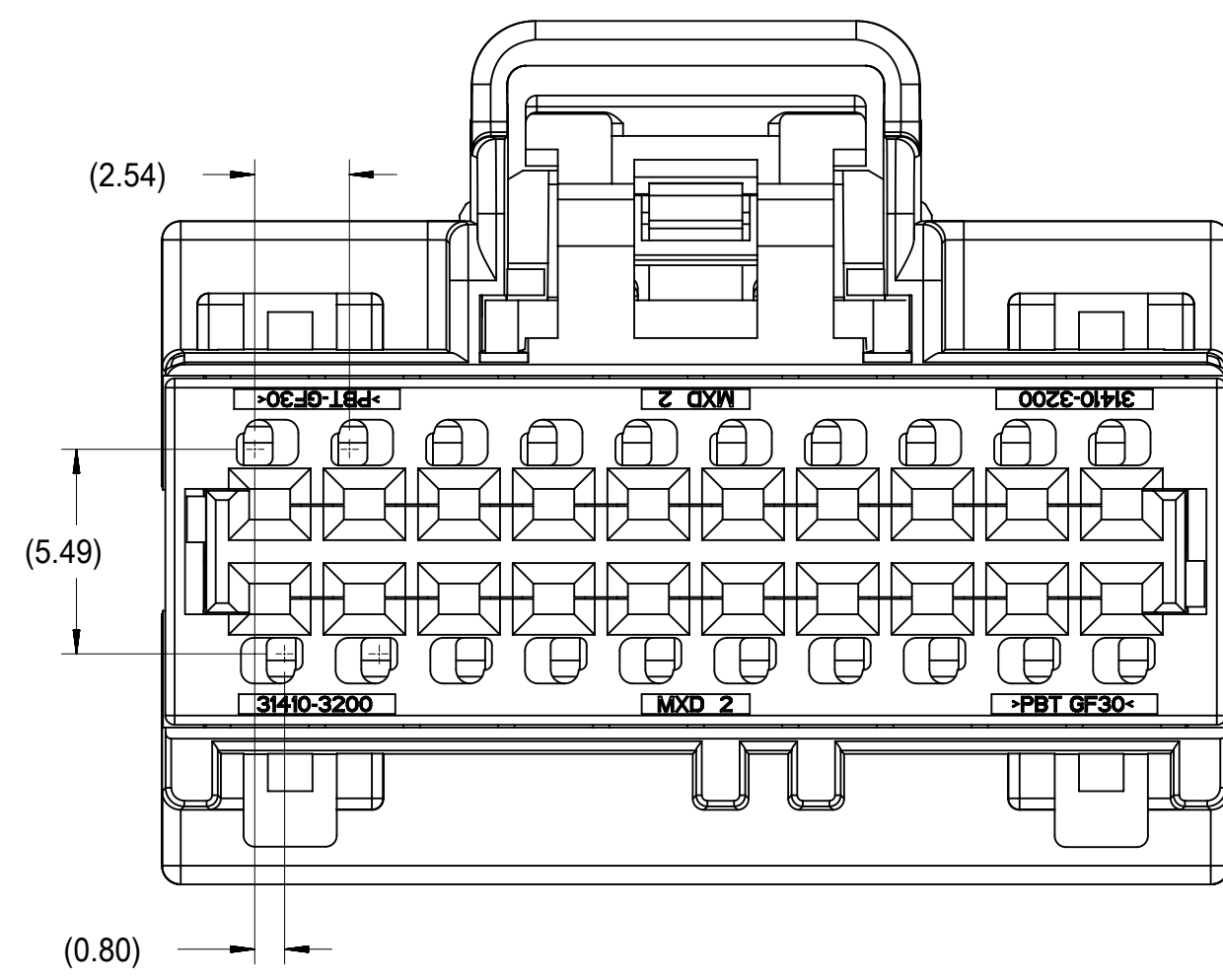
DOCUMENT NUMBER DOC TYPE DOC PART REVISION

SD-31410-100 PSD 001 G1

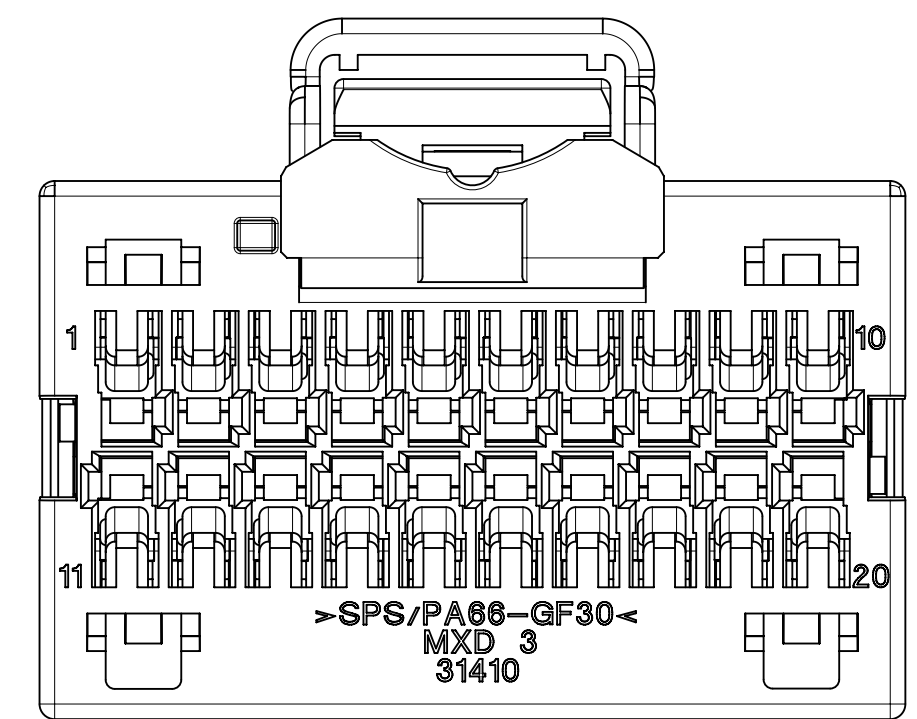
| SUPPLIER | TERMINAL | ORIENTATION | AWG | MATERIAL | PLATING | SUPP PART # | GM PART # |
|----------|----------|-------------|-------|----------|---------|-----------------|-----------|
| TYCO | GEN Y | SIDE | 20-22 | CuNiSi | TIN | 2035170-1 | 13576204 |
| TYCO | GEN Y | SIDE | 18 | CuNiSi | TIN | 2035170-2 | 13576205 |
| TYCO | GEN Y | SIDE | 20-22 | BRONZE | SILVER | 2035124-1 | 13576200 |
| TYCO | GEN Y | SIDE | 18 | BRONZE | SILVER | 2035124-2 | 13576201 |
| TYCO | GEN Y | DOWN | 20-22 | CuNiSi | TIN | 1924727-1 | 13576202 |
| TYCO | GEN Y | DOWN | 18 | CuNiSi | TIN | 1924727-2 | 13576203 |
| JST | AIT | SIDE | 20-22 | Cu ALLOY | AuSn | SAIT-A03GF-M064 | 19167039 |
| JST | AIT | SIDE | 18 | Cu ALLOY | AuSn | SAIT-A02GF-M064 | 19167040 |
| JST | AIT | SIDE | 20-22 | Cu ALLOY | PRE-TIN | SAIT-A03T-M064 | 19167037 |
| JST | AIT | SIDE | 18 | Cu ALLOY | PRE-TIN | SAIT-A02T-M064 | 19167038 |

USING 18GA TERMINAL SYSTEMS RESULTS IN HIGHER THAN NORMAL TERMINAL-TO-CONNECTOR INSERTION FORCE

PROBE HOLE LOCATIONS



31410-0200/1/2/3
GM NON-PREFERRED



31410-0205/6/7/8
GM PREFERRED

| | | | | | | | |
|---------|---|-------|---------------------------------------|--|-------------------|------------|---|
| SYMBOLS | THIS DRAWING CONTAINS INFORMATION THAT IS PROPRIETARY TO MOLEX ELECTRONIC TECHNOLOGIES, LLC AND SHOULD NOT BE USED WITHOUT WRITTEN PERMISSION | | CURRENT REV DESC: | | | | |
| | DIMENSION UNITS | SCALE | | | | | |
| ▽ = 0 | mm | 4:1 | GENERAL TOLERANCES (UNLESS SPECIFIED) | | CHK'D: RBAUMAN | 2018/02/13 | USCAR 0.64MM RECEPTACLE SALES DRAWING, 20 CKT. |
| ▽ = 0 | ANGULAR TOL ± 3.0° | | 4 PLACES ± | | APPR: RBAUMAN | 2018/02/13 | |
| ▽ = 0 | 3 PLACES ± | | 2 PLACES ± 0.13 | | INITIAL REVISION: | | PRODUCT CUSTOMER DRAWING |
| ▽ = 0 | 2 PLACES ± 0.25 | | 1 PLACE ± | | DRWN: MDANIELS | 2003/09/25 | |
| ▽ = 0 | 0 PLACES ± | | 0 PLACES ± | | APPR: BBWILSON | 2004/04/16 | DOCUMENT NUMBER |
| □ = 0 | DRAFT WHERE APPLICABLE | | THIRD ANGLE PROJECTION | | DRAWING | | SD-31410-100 |
| ▽ = 0 | MUST REMAIN WITHIN DIMENSIONS | | D-SIZE | | SERIES | | DOC TYPE |
| | | | 31410 | | MATERIAL NUMBER | | PSD |
| | | | GENERAL MARKET | | CUSTOMER | | DOC PART |
| | | | 2 OF 2 | | SHEET NUMBER | | REVISION |
| | | | | | | | G1 |