



6

5

4

3

2

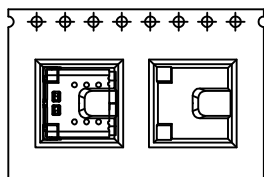
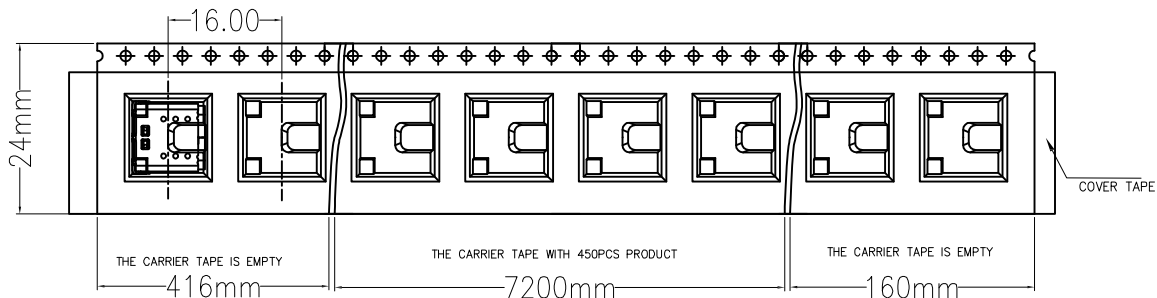
1

APPROVED: \_\_\_\_\_

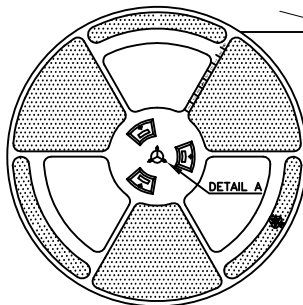
DATE: \_\_\_\_\_ TITLE: \_\_\_\_\_

Rev	AWO #	Description	Date	Appr
-----	-------	-------------	------	------

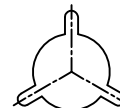
SEE SHT 1 OF 2 FOR REVISION



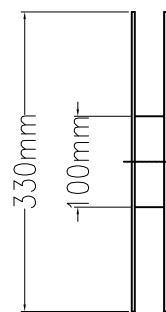
(Conn. TYPE)



DIRECTION OF UNREELING



DETAIL A



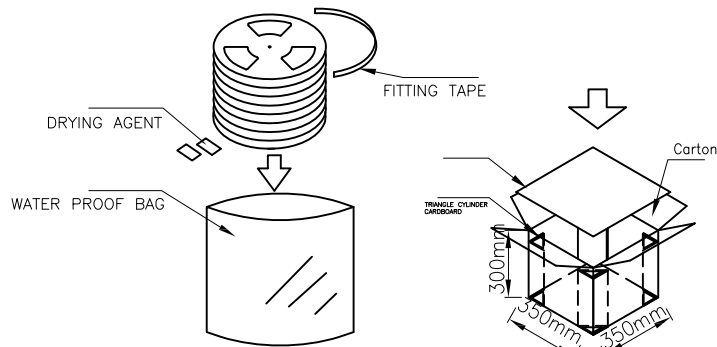
REEL

For SIP

For CmK/Cpk

24.5mm

11 REEL/CARTON  
4950 PCS/CARTON



- 1.Fill in a corrugated paper board
- 2.Put 4 triangle cylinder cardboard in all corner.
- 3.Put 11 reels of products into water proof bag, with 4pcs of drying agent.
- 4.Cover with corrugated paper board.

UNLESS OTHERWISE SPECIFIED ALL DIMENSIONS ARE MILLIMETERS. TOLERANCES: EXCEPT AS NOTED		
MM	ANGLE	
0. ± 0.50	±5°	
.0 ± 0.30		
.00 ± 0.20		
DRAWN	OW	7/23/20
CHECKED	JL	7/23/20
APPROVED		
THIS DRAWING CONTAINS INFORMATION THAT IS PROPRIETARY AND SHOULD NOT BE USED WITHOUT PRIOR WRITTEN PERMISSION FROM ADAM TECH		

**ADAM TECH** 909 Rahway Avenue, Union, NJ 07083  
Phone: 908-687-5000 Fax: 908-687-5710

TITLE	USB 4.0, TYPE C, FEMALE, RIGHT ANGLE, 40Gbps, BLACK INSULATOR, GOLD PLATED	
SIZE	PART NO.	REV.
X	USB-C40-S-RA-BK-30-T/R	A
REF: S00013T	SCALE: NTS	SHEET 2 OF 2

6

5

4

3

2

1