

NOTES:

1. MATERIAL:

- A. BODY; PHOSPHOR BRONZE PER QQ-B-750.
- B. CAPTIVE SCREW; STAINLESS STEEL PER QQ-S-763, 300 SERIES.
- C. CLAMP INSERT; FLUOROSILICONE ELASTOMER PER MIL-R-25988.

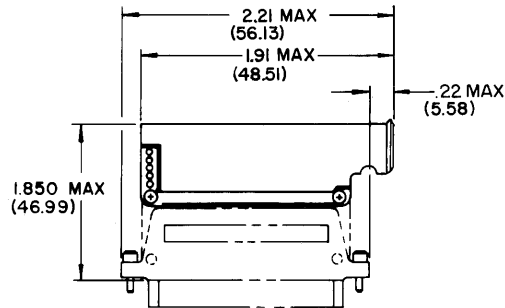
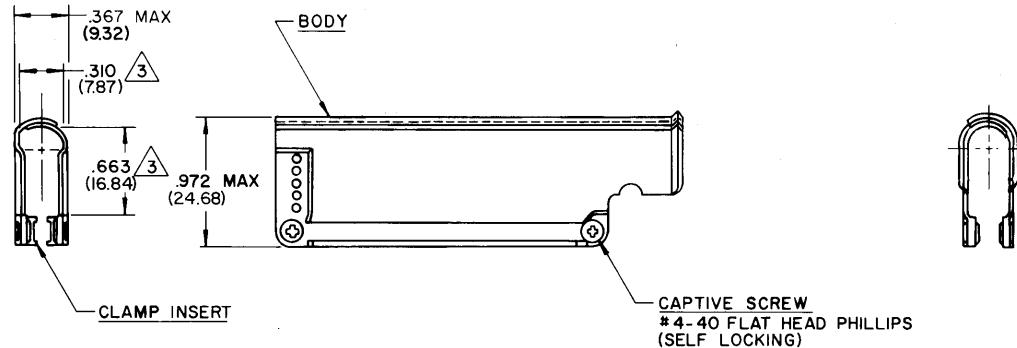
2. FINISH:

- A. BODY; TIN PLATED PER MIL-T-10727 OVER NICKEL PER MIL-C-26074.
- B. CAPTIVE SCREW; PASSIVATED PER QQ-P-35.

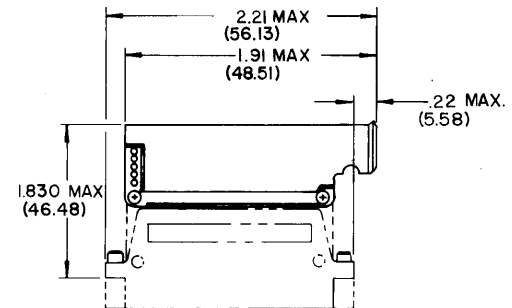
△ THESE DIMENSIONS ARE FOR MAXIMUM CABLE ACCOMMODATION.

- 4. **Raychem** PART NUMBER CHA-0048 IS MARKED ON BACKSHELL PACKAGE.
- 5. THIS BACKSHELL IS FOR USE WITH **Raychem** MTC SERIES CONNECTORS. 1" PLUG OR 1" RECEPTACLE AS SHOWN.

N/C	INITIAL RELEASE PER ECN # T-4011	2-16-83	CB
-----	----------------------------------	---------	----



1 INCH PLUG ASSY
INSTALLATION DATA
REF



1 INCH RECEPTACLE ASSY
INSTALLATION DATA
REF

If this document is printed it becomes uncontrolled. Check for the latest revision

CONNECTOR SPECIFICATION CONTROL DRAWING

UNLESS OTHERWISE SPECIFIED DIMENSIONS ARE IN INCHES BRACKETED DIMENSIONS () ARE METRIC AND TOLERANCES ARE: .XXX: ± — (—) .XX: ± — (—) Δ: ± —	DRAWN	PIERCE	2-83	Raychem <small>RAYCHEM CORPORATION 400 CLAYTON DRIVE MENLO PARK, CALIFORNIA 94025</small>
	CHECKED	<i>QFB</i>		
	APPROVED	<i>Blair</i>	2/16/83	
	APPROVED	<i>Yat</i>	2/16/83	
				TITLE
				RIGHT ANGLE BREAKOUT (1.9 LG.) BACKSHELL ASSY 1 INCH MTC
		SIZE	CODE IDENT	DWG. NO.
		C	NO. 06090	CHA-0048
			WEIGHT	SHEET 1 OF 1

DO NOT SCALE THIS DRAWING