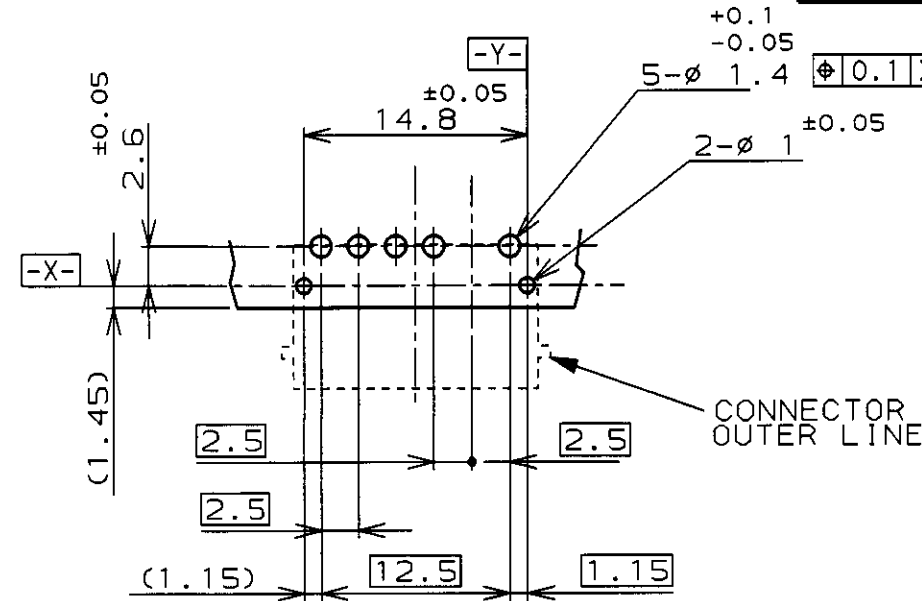
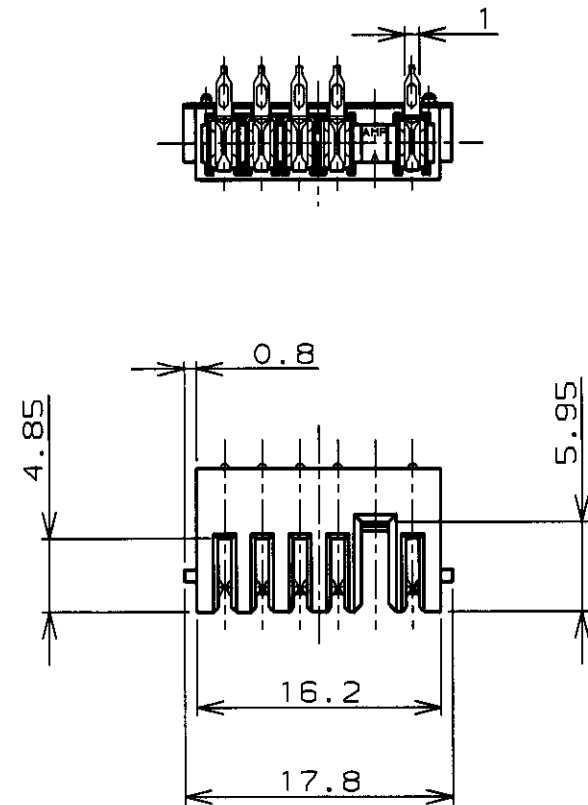


P	LTR	DESCRIPTION	ECN	DATE	DWN	APVD
	O	RELEASED	FJ00-2315-98	24DEC'98	N.S	T.Y
	A	REVISED	FJ00-2093-99	6 DEC '99	N.S	T.Y

-2 ; AS SHOWN



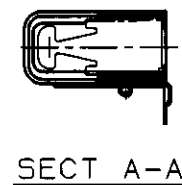
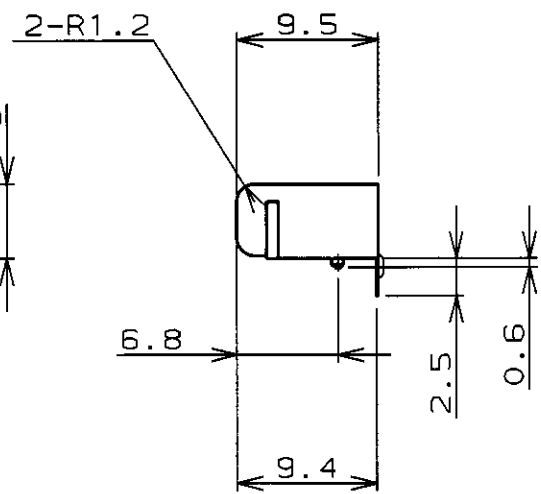
基板取付推奨寸法
 RECOMMENDED P.C. BOARD LAYOUT
 P.C. BOARD THK 0.8~1.2
 (VIEW FROM CONNECTOR MOUNTING SIDE)

注記

- ① 材料 ハウジング : 熱可塑性樹脂 UL94V-0
色 ; 黒
- ② 仕上げ コンタクト : Ni 下地めっき
接触部 Pd-Niめっき
接触部 Au フラッシュめっき
半田付け部 Sn-Pb めっき

NOTES

- ① MATERIAL HOUSING : THERMOPLASTIC RESIN, UL94V-0
COLOR ; BLACK
- ② FINISH CONTACT : COPPER ALLOY
CONTACT : Ni ALL OVER UNDER PL
Pd-Ni PL. AT CONTACT AREA
Au FLASH PL. AT CONTACT AREA
TIN-LEAD PL. AT LEAD AREA



THIS DRAWING IS A CONTROLLED DOCUMENT FOR AMP INCORPORATED. IT IS SUBJECT TO CHANGE AND THE CONTROLLING ENGINEERING ORGANIZATION SHOULD BE CONTACTED FOR THE LATEST REVISION.		DWN N. SASAME 24/DEC/'98	AMP 日本エー・エム・ピー株式会社 Kawasaki, Japan
DIMENSIONS: 単位: 概 mm		CHK S. ABE 24/DEC/'98	
TOLERANCES UNLESS OTHERWISE SPECIFIED 一般公差 10% : ±0.2 30% : ±0.25 100% : ±0.3 ANGLE : ±3°		APVD T. YAMADA 24/DEC/'98	NAME 名称 RECEPTACLE ASSEMBLY FOR 2.5mm PITCH 2ND BATTERY CONNECTOR
MATERIAL 材料 ①		PRODUCT SPEC 製品規格 108-5652	SIZE A3
FINISH 仕上 ②		APPLICATION SPEC 取付適用規格 T1	CAGE CODE 00779
		WEIGHT T1	DRAWING NO 番号 1318430
		CUSTOMER DRAWING	RESTRICTED TO -
		SCALE 尺度 2:1	SHEET 1 OF 1
			REV A