

QPD P 4PE6,0 9-14 GY - Connector

1410388

<https://www.phoenixcontact.com/us/products/1410388>

Please be informed that the data shown in this PDF document is generated from our online catalog. Please find the complete data in the user documentation. Our general terms of use for downloads are valid.



QUICKON connector, gray, 4+PE-pos., 2.5 mm² ... 6.0 mm²/690 V/20 A, with QUICKON nut, for cables with a diameter of 9 mm ... 14 mm.

Your advantages

- Innovative and time saving - QUICKON fast connection for time saving of up to 80 % for on-site connection
- Robust throughout: housing with IP68/IP69K and IK07 protection for a wide range of applications
- Safer connection with mechanical coding to protect against mismatching, and touch-proof protection in accordance with DIN EN 0105
- Easy maintenance – the connectors enable fast device replacement and preassembled cables simplify startup

Commercial data

Item number	1410388
Packing unit	1 pc
Minimum order quantity	1 pc
Note	Made to order (non-returnable)
Sales key	BF50
Product key	BF6BCC
GTIN	4046356929615
Weight per piece (including packing)	110.4 g
Weight per piece (excluding packing)	110.4 g
Customs tariff number	85366990
Country of origin	PL

QPD P 4PE6,0 9-14 GY - Connector



1410388

<https://www.phoenixcontact.com/us/products/1410388>

Technical data

Product properties

Type	QPD 5x6,0
Product type	Installation connector
Product family	QPD
Number of positions	5
Connection profile	4+PE
Position marking	1, 2, L, N, PE

Insulation characteristics

Overvoltage category	III
Degree of pollution	3

Electrical properties

Rated surge voltage (II/2)	8 kV
Rated surge voltage (III/2)	8 kV
Rated surge voltage (III/3)	6 kV
Rated current	40 A
Contact resistance	< 4 mΩ
rated voltage (II/2)	1000 V
rated voltage (III/2)	1000 V
Rated voltage (III/3)	690 V
Nominal current I_N	40 A

Connection data

Connection technology

Connection technology	QUICKON connection
Connection system, internal	IDC connection
Frequency of connections between conductors of the same cross section	max. 10

Conductor connection

Conductor cross section flexibel	2.5 mm ² ... 6 mm ²
Conductor cross section solid	2.5 mm ² ... 6 mm ²
Connection cross section AWG	14 ... 10
Tightening torque, union nut	15 Nm

Material specifications

Material	PA
Flammability rating according to UL 94	V0
Contact material	Cu
Contact surface material	silver-plated
Contact carrier material	PA

QPD P 4PE6,0 9-14 GY - Connector



1410388

<https://www.phoenixcontact.com/us/products/1410388>

Cable/line

Structure of individual litz in acc. with VDE 0295 / smallest wire diameter	VDE 0295 class 1 to 6/min. 0.15 mm
Wire diameter including insulation	2.95 mm ... 5 mm
Position marking	1, 2, L, N, PE
Material wire insulation	PVC/PE/TPE/rubber

Mechanical properties

Mechanical data

Insertion/withdrawal cycles	max. 50
-----------------------------	---------

Environmental and real-life conditions

Ambient conditions

Degree of protection	IP66
	IP68 (2 m / 24 h)
	IP69K
Ambient temperature (operation)	-40 °C ... 100 °C
Temperature when conductor connected	-5 °C ... 50 °C
Ambient temperature (storage/transport)	-40 °C ... 80 °C

Mounting

Connection method	Single wires
-------------------	--------------

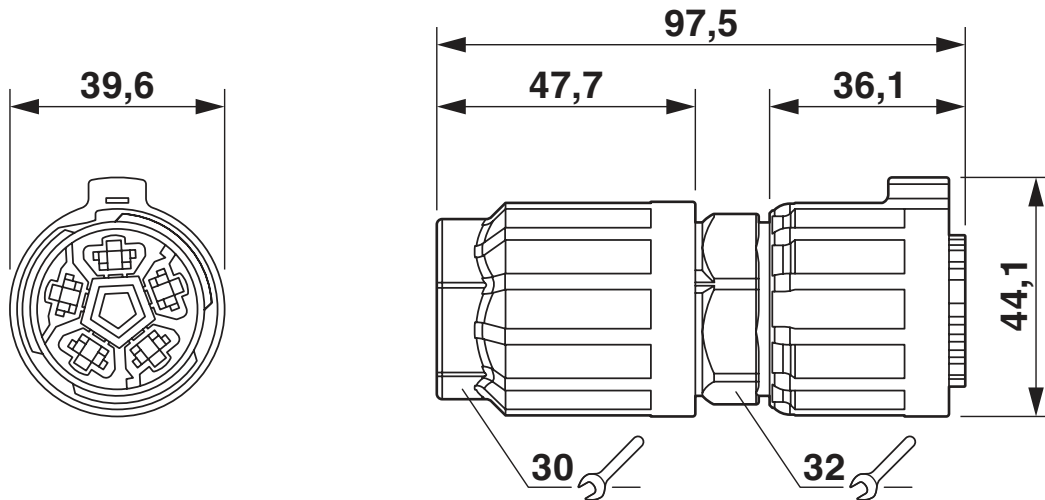
QPD P 4PE6,0 9-14 GY - Connector

1410388

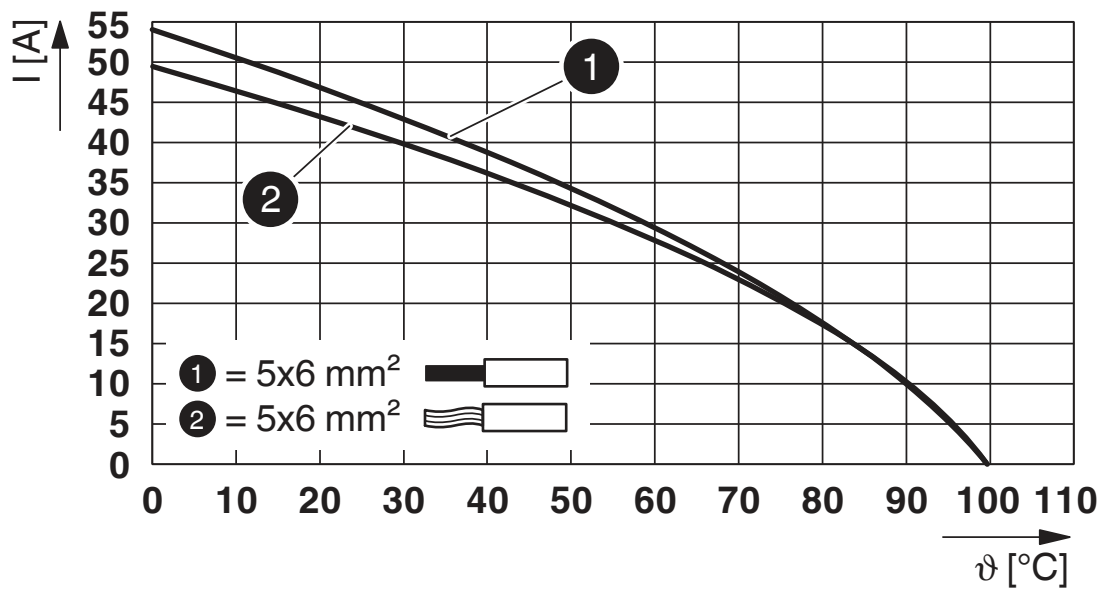
<https://www.phoenixcontact.com/us/products/1410388>

Drawings

Dimensional drawing



Diagram



Derating diagram

QPD P 4PE6,0 9-14 GY - Connector



1410388

<https://www.phoenixcontact.com/us/products/1410388>

Approvals

To download certificates, visit the product detail page: <https://www.phoenixcontact.com/us/products/1410388>



IECEE CB Scheme
Approval ID: DE1-65875



EAC
Approval ID: RU C-DE.AI30.B.01102



DNV GL
Approval ID: TAE00003J5



VDE Zeichengenehmigung
Approval ID: 40029149



UL Listed
Approval ID: E468743

Nominal voltage U_N	Nominal current I_N	Cross section AWG	Cross section mm^2
600 V	20 A	-	- 12



cUL Listed
Approval ID: E468743

Nominal voltage U_N	Nominal current I_N	Cross section AWG	Cross section mm^2
600 V	20 A	- 12	-

cULus Listed

QPD P 4PE6,0 9-14 GY - Connector



1410388

<https://www.phoenixcontact.com/us/products/1410388>

Classifications

ECLASS

ECLASS-11.0	27440605
ECLASS-13.0	27440605
ECLASS-12.0	27440605

ETIM

ETIM 8.0	EC002560
----------	----------

UNSPSC

UNSPSC 21.0	39121400
-------------	----------

QPD P 4PE6,0 9-14 GY - Connector

1410388

<https://www.phoenixcontact.com/us/products/1410388>



Accessories

CP-QPD 5X6,0 - Coding profile

1411402

<https://www.phoenixcontact.com/us/products/1411402>



Coding profile, red, for insertion into the 5-pos. QUICKON dome and connector, can be positioned in 72° increments.

QPD QSK 5X6,0 - Protective cap

1411403

<https://www.phoenixcontact.com/us/products/1411403>



Protective cap, black plastic, for 5 x 2.5 mm² QPD connector, IP50.

QPD P 4PE6,0 9-14 GY - Connector

1410388

<https://www.phoenixcontact.com/us/products/1410388>



QPD PSK 5X6,0 - Protective cap

1411404

<https://www.phoenixcontact.com/us/products/1411404>



Protective cap, transparent plastic, for 5x 6.0 mm² QPD QUICKON connection, IP50.

SEALING PLUG 10X16 RD - Closing cap

1400284

<https://www.phoenixcontact.com/us/products/1400284>



Closing cap, for threads pluggable, color: red

Phoenix Contact 2023 © - all rights reserved
<https://www.phoenixcontact.com>

Phoenix Contact USA
586 Fulling Mill Road
Middletown, PA 17057, United States
(+717) 944-1300
info@phoenixcon.com