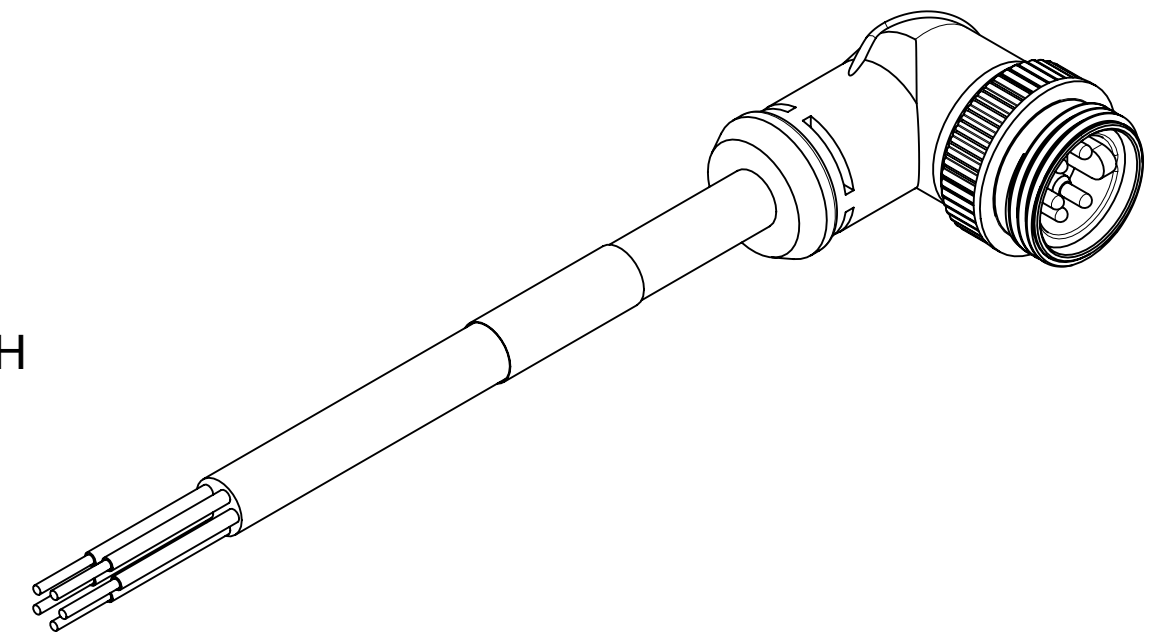


MATERIAL NO.	ENGINEERING NO.	FINISHED LENGTH
1300240058	DN09A-M005	0.5M (1 FT 7.70 IN)
1300240065	DN09A-M080	8M (26 FT 3 IN)
1300240067	DN09A-M160	16M (52 FT 6 IN)

PART NUMBER LEGEND

DN09A-M010

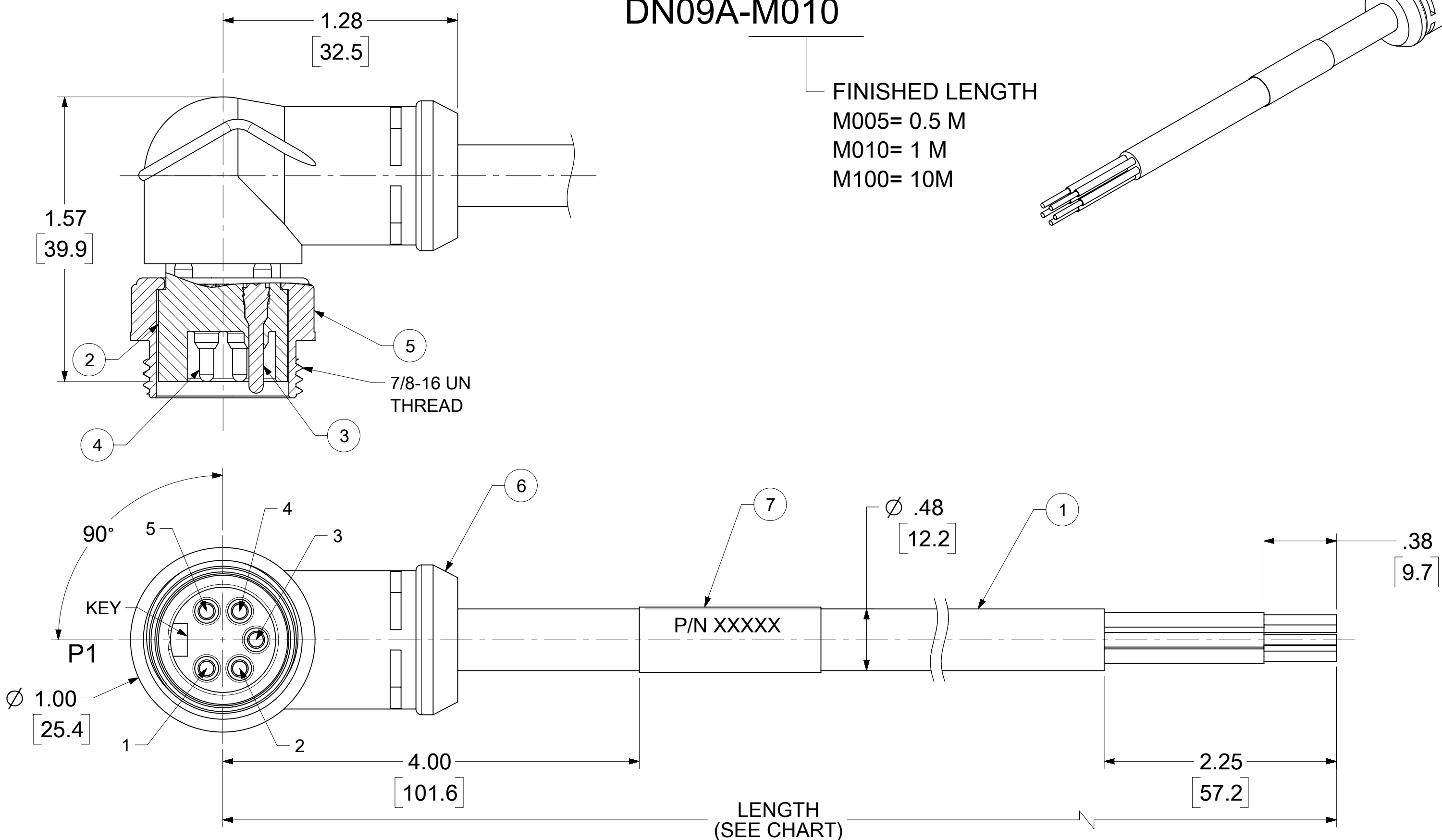
FINISHED LENGTH
M005= 0.5 M
M010= 1 M
M100= 10M



WIRING DIAGRAM

P1

1	DRAIN
2	RED
3	BLACK
4	WHITE
5	BLUE



- NOTES:
1. MATERIAL: AS NOTED
 2. FINISH: AS NOTED
 3. ELECTRICAL:
VOLTAGE: 300V PER IEC60664
300V PER UL2238
CURRENT: 4A
 4. TEMP RATING: -20°C TO +80°C
 5. PROTECTION: IP67 (WHEN MATED)
 6. UL RECOGNIZED FILE: E152210
CSA CERTIFIED FILE: LR6837
 7. ALL DIMS ARE FOR REFERENCE UNLESS TOLERANCED OR NOTED OTHERWISE

CABLE LENGTH TOLERANCES

<.3M [1FT]:	+19mm-0 [+0.75in-0]
.3 - .9M [1 - 3FT]:	+44.5mm-0 [+1.75in-0]
.9 - 1.8M [3 - 6FT]:	+55.6mm-0 [+2.19in-0]
1.8 - 3.7M [6 - 12FT]:	+88.9mm-0 [+3.50in-0]
3.7 - 7.3M [12 - 24FT]:	+165.1mm-0 [+6.50in-0]
7.3-14.6M [24 - 48FT]:	+317.5mm-0 [+12.50in-0]
14.6 - 30.5M [48-100FT]:	+622.3mm-0 [+24.50in-0]
OVER 30M [100FT]	+2% OF FINISHED LENGTH

ITEM	DESCRIPTION	MATERIAL	FINISH
7	WRAP LABEL	VINYL	BLACK/YELLOW
6	OVERMOLD	TPE	GRAY
5	COUPLING NUT	ZINC DIE CAST	BLACK E-COAT
4	CONTACT PIN, 18 AWG	BRASS	GOLD OVER NICKEL
3	CONTACT PIN, 16 AWG	BRASS	GOLD OVER NICKEL
2	MALE INSERT	TPE	BLACK
1	CABLE, DEV-NET, TRUNK, 18/2, 15/2	PVC JACKET	GRAY

FUNCTIONAL SYMBOLS	THIS DRAWING CONTAINS INFORMATION THAT IS PROPRIETARY TO MOLEX ELECTRONIC TECHNOLOGIES, LLC AND SHOULD NOT BE USED WITHOUT WRITTEN PERMISSION			
	DIMENSION UNITS	SCALE	CURRENT REV DESC: ITEM 2 & 6 WERE PVC.	
$\frac{F}{A} = 0$	INCH/MM	NTS	<p>molex</p> <p>MINI-CHANGE DEVICENET, A-SIZE 5 POLE, MALE, 90 DEG, SINGLE KEY, 15/18 AWG</p>	
$\frac{F}{C} = 0$	GENERAL TOLERANCES (UNLESS SPECIFIED)			
$\frac{F}{P} = 0$	MM	INCH		
DIVISIONAL SYMBOLS	4 PLACES	±		
	3 PLACES	±	±	
	2 PLACES	±	±	
	1 PLACE	±	±	
	0 PLACES	±	±	
	ANGULAR TOL	±	°	
	DRAFT WHERE APPLICABLE MUST REMAIN WITHIN DIMENSIONS	THIRD ANGLE PROJECTION	DRAWING	SERIES
			C-SIZE	130024

EC NO: 720800	2022/07/11	DOCUMENT NUMBER	DOC TYPE	DOC PART	REVISION
DRWN: VASUTHKARP	2022/09/09	SD-130024-002	PSD	001	B
CHK'D: RSTONE	2022/09/09	PRODUCT CUSTOMER DRAWING			
APPR: BWOODMAN	2022/09/09				
INITIAL REVISION:					
DRWN: RSTONE	2009/04/27				
APPR: JFMURPHY	2009/04/30				
MATERIAL NUMBER	CUSTOMER	SHEET NUMBER			
SEE TABLE	GENERAL MARKET	1 OF 1			