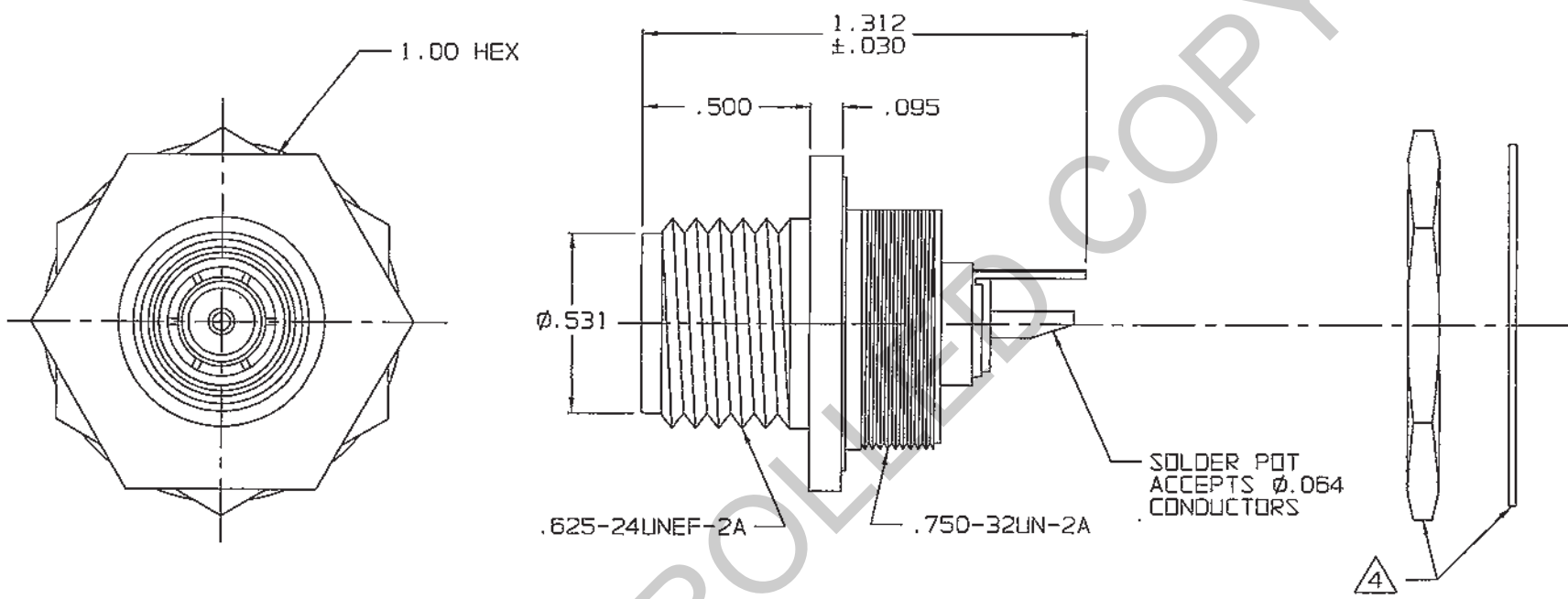


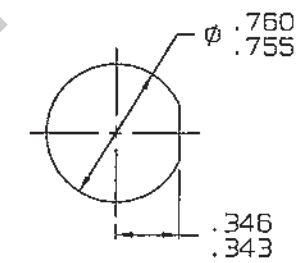
RED INDICATES ORIGINAL

DATA CONTAINED IN THIS DOCUMENT IS PROPRIETARY TO TROMPETER ELECTRONICS INC. AND SHALL NOT BE DISCLOSED, COPIED OR USED FOR PROCUREMENT OR MANUFACTURE WITHOUT EXPRESS WRITTEN PERMISSION OF TROMPETER ELECTRONICS INC.

REVISIONS		3-0056	SH 1
REV	DESCRIPTION	DATE	APPROVED
C	REVISED PER ECO 15788	3-16-05	BS



- 4 MOUNTING HARDWARE SUPPLIED LOOSE
- 3. MAXIMUM PANEL THICKNESS .133
- 2. FINISH; BODY: TFS-1U (NICKEL)  
INNER SHIELD: TFS-1B (GOLD)  
CONTACT: TFS-1B (GOLD)
- 1. TRN STYLE TWINAX/TRIAX FRONT BULKHEAD MOUNT THREADED SOLDER POT RECEPTACLE



RECOMMENDED PANEL CUT-OUT SCALE: 1/1

INTERPRET DRAWING PER MIL-STD-100 DIMENSIONS ARE IN INCHES AND INCLUDE FINISH THICKNESS UNLESS OTHERWISE SPECIFIED		TOL: UNLESS SPECIFIED .XX .XXX ±.005 .XXXX		 a cinch connectivity solutions brand		
DRAWN AAH	DATE 3-8-05	MATERIALS				TITLE: BJ380
CHECKED T. Kish	DATE 3-8-05	FINISH:		SIZE CAGE CODE A 14949	DRAWINGS NO. 3-0056	REV. C
APPROVED BS	DATE 3/16/05	DO NOT SCALE DWG		SCALE 2/1	DATE: 12-22-83	SHEET 1C

NEXT ASSY