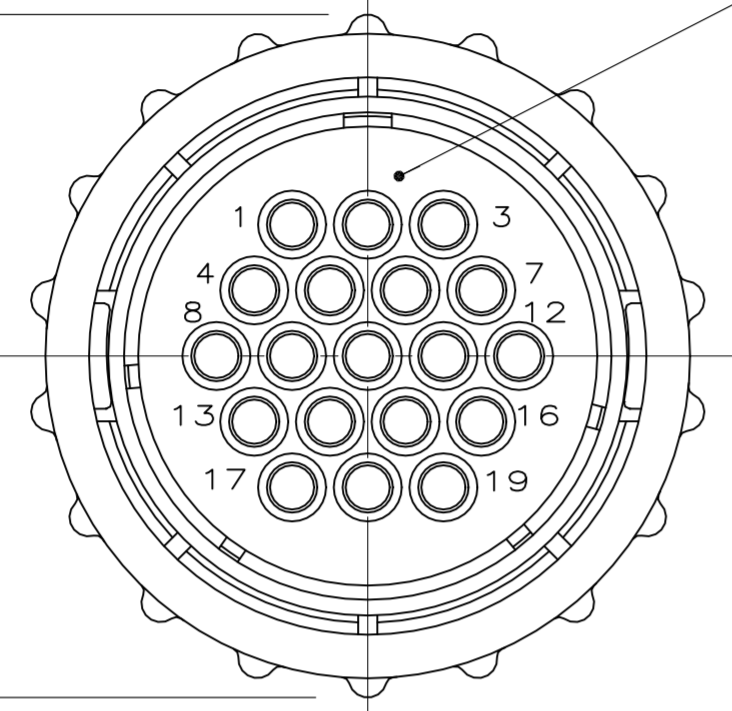


REVISIONS					
P	LTR	DESCRIPTION	DATE	DWN	APVD
F1		REVISED PER ECN-23-199892	01MAR2023	RK	MZ

Ø45.29 [1.783] MAX

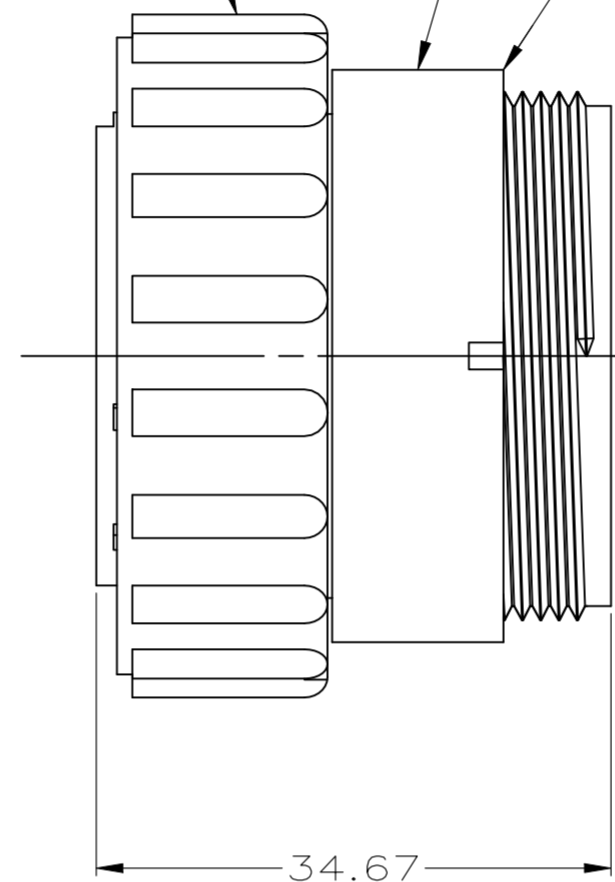


MATING FACE

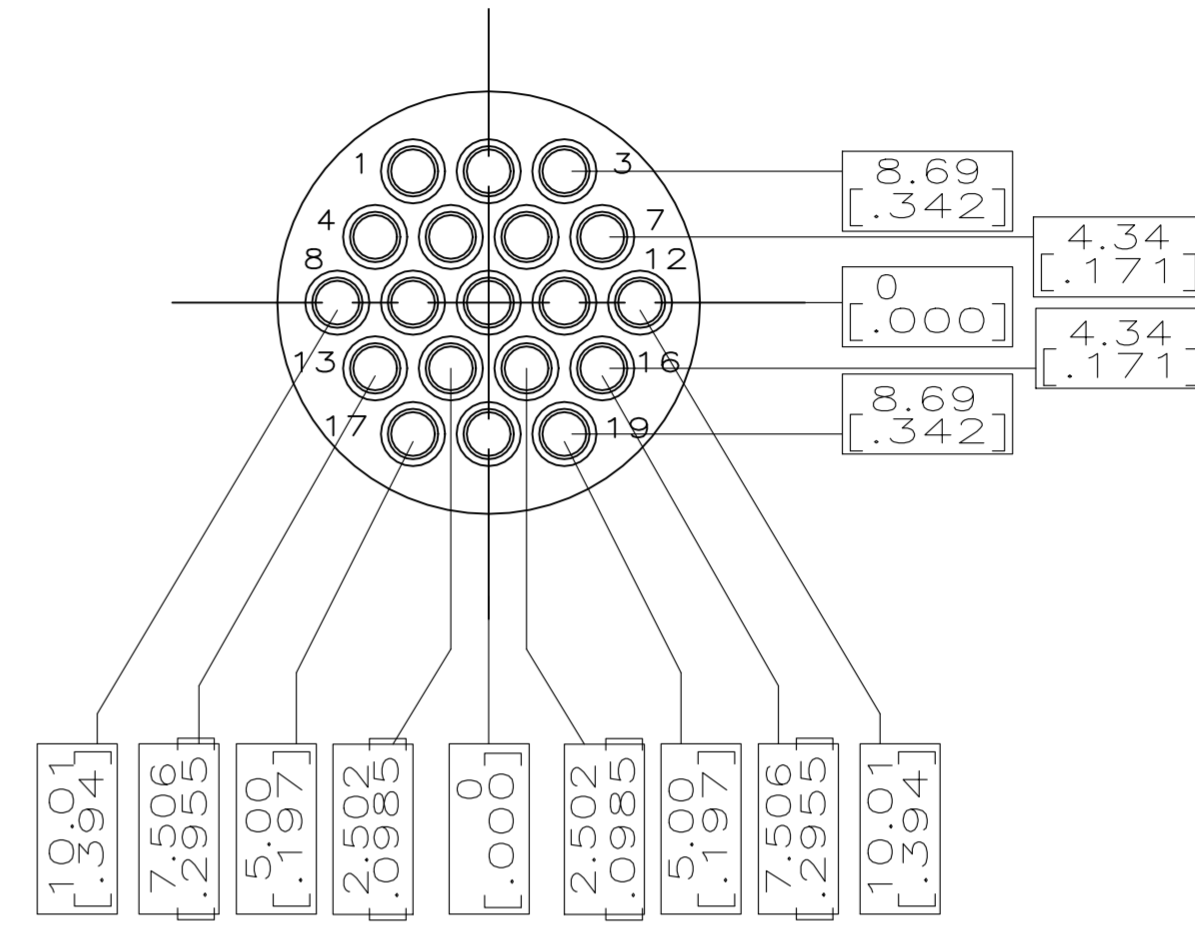
COUPLING RING MATERIAL: SEE TABLE

AMP & MEXICO located on this surface

PLUG HOUSING MATERIAL: SEE TABLE



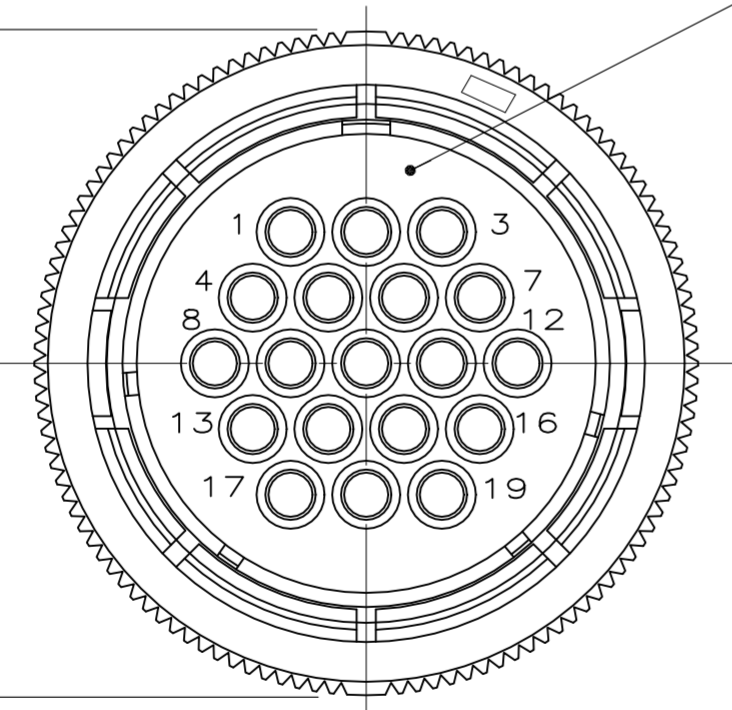
34.67 [1.365] MAX



MATING FACE CONFIGURATION

(-1 & -4 ONLY)

Ø44.15 [1.738] MAX

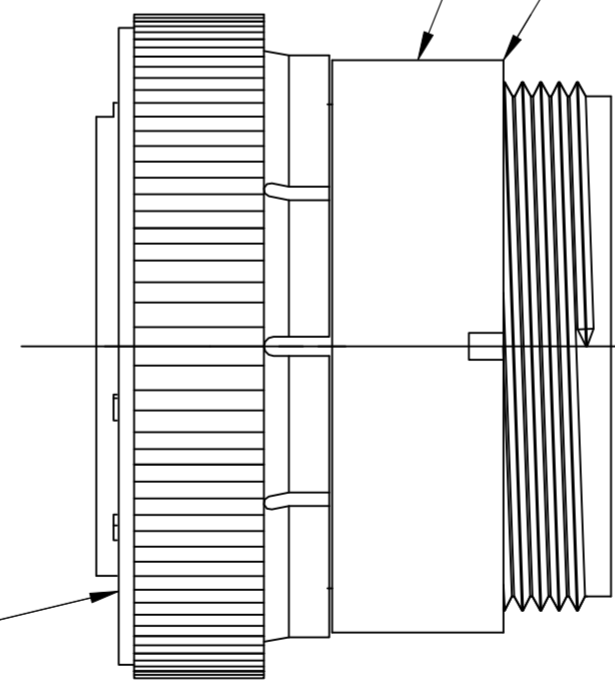


MATING FACE

COUPLING RING MATERIAL: SEE TABLE

AMP & MEXICO located on this surface

PLUG HOUSING MATERIAL: SEE TABLE



34.67 [1.365] MAX

OBsolete

POLYESTER, BLACK	POLYESTER, BLACK	211772-5
	DIE CAST ZINC	211772-4
PA66, BLACK	POLYESTER, BLACK	211772-3
	POLYESTER, BLACK	211772-1
PLUG HOUSING MATERIAL	COUPLING RING MATERIAL	PART NUMBER

- CONTACT CAVITIES IDENTIFIED BY CHARACTERS ON FRONT AND REAR FACES OF CONNECTOR.
- THIS PART WILL ACCEPT 19 MULTIMATE PIN CONTACTS.
- NORMAL KEYING.

(-3 ONLY)

THIS DRAWING IS A CONTROLLED DOCUMENT.		DWN S. RIDGLEY BG 31 JUL 90		
DIMENSIONS: mm [INCHES]		CHK R. STONE 26 APR 91		
TOLERANCES UNLESS OTHERWISE SPECIFIED:		APVD K. BEAVER 03 APR 91	NAME	
0 PLC ± -		PRODUCT SPEC 108-10024	PLUG ASSEMBLY, SHELL SIZE 23, REVERSE SEX, SPECIAL VDE, CPC	
1 PLC ± -		APPLICATION SPEC	SIZE A2	CAGE CODE 00779
2 PLC ± -			DRAWING NO C=211772	RESTRICTED TO
3 PLC ± -			SCALE 2:1	SHEET 1 of 1
4 PLC ± -			REV F1	
ANGLES ± -				
FINISH				
MATERIAL		WEIGHT		
		CUSTOMER DRAWING		