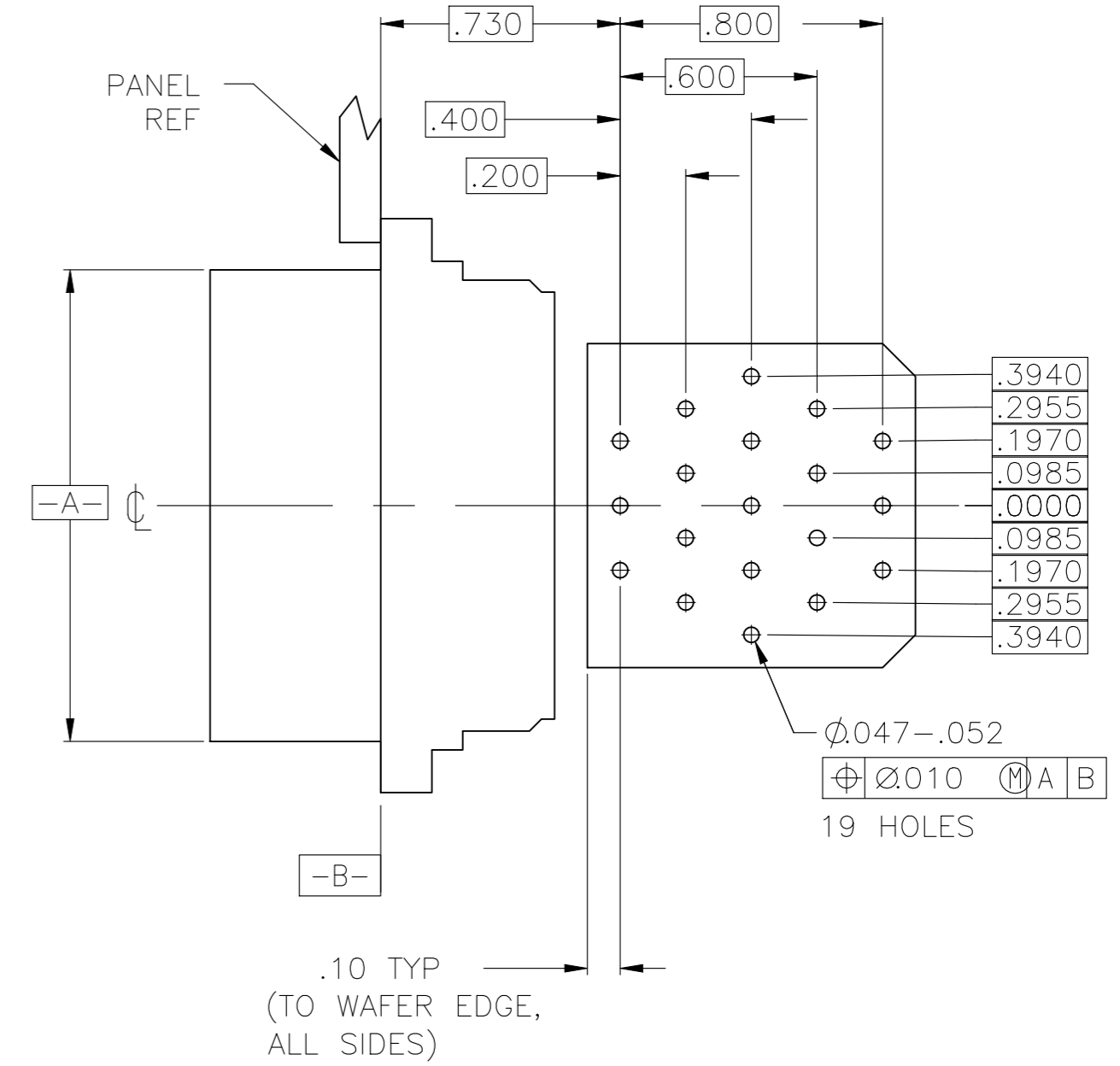
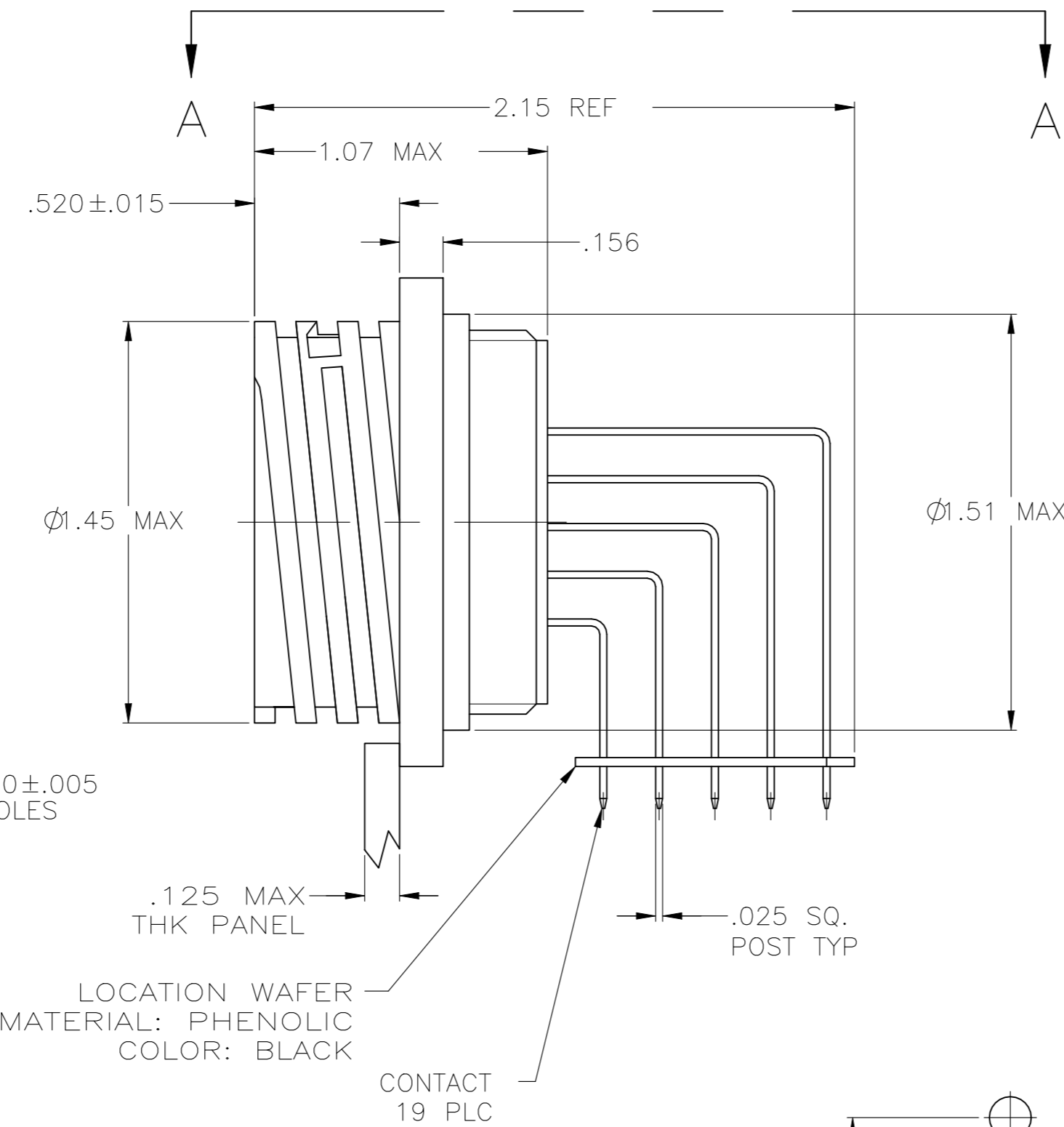
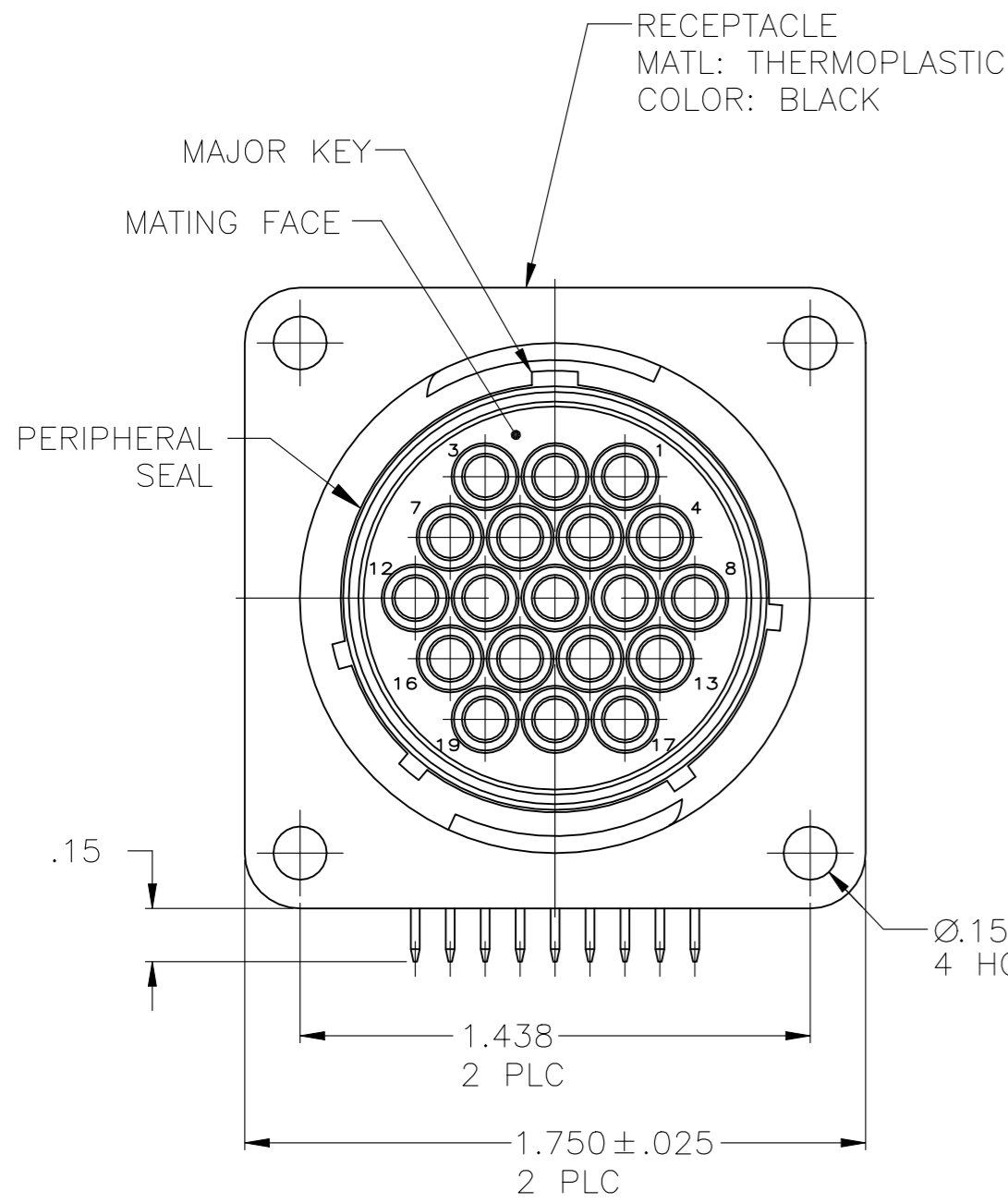
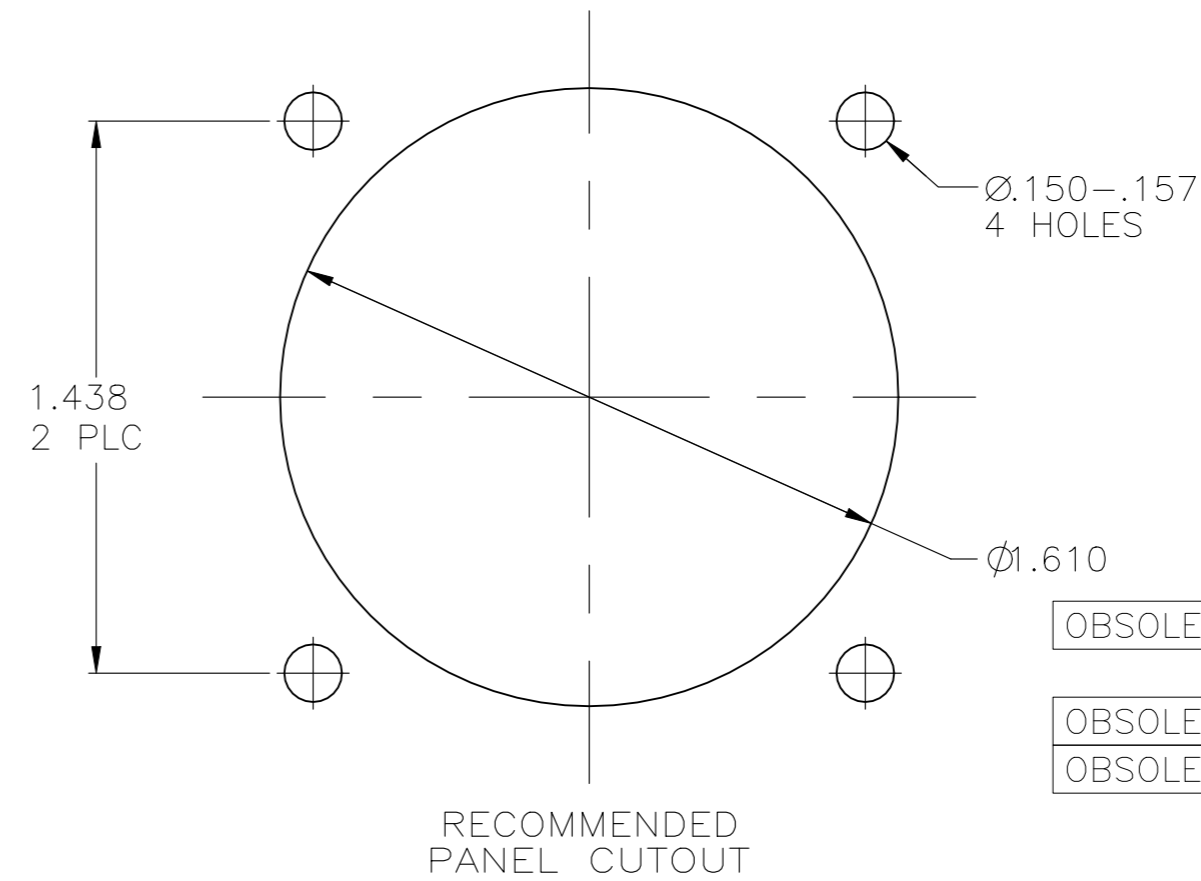


REVISIONS					
P	LTR	DESCRIPTION	DATE	DWN	APVD
C4		REVISED PER ECR-22-150475	26AUG2022	RK	MZ



VIEW A-A Δ
RECOMMENDED PC BOARD LAYOUT



- 1 CONTACT CAVITIES IDENTIFIED BY CHARACTERS ON FRONT AND REAR FACES OF CONNECTOR.
- 2 #6 FASTENER RECOMMENDED FOR MOUNTING.
- Δ 3 CONTACT BODY: .000030 MIN GOLD FOR A LENGTH OF .200 MIN FROM MATING END, WITH REMAINDER TO BE GOLD FLASH, BOTH OVER .000050 MIN NICKEL. CONTACT POST: .000100 MIN TIN-LEAD OVER .000100 MIN COPPER.
- Δ 4 PC BOARD HOLE PATTERN IS DEFINED RELATIVE TO CONNECTOR C.L. AND PANEL MOUNTING FACE INDICATED.
- Δ 5 CONTACT BODY: .000030 MIN GOLD FOR A LENGTH OF .200 MIN FROM MATING END, WITH REMAINDER TO BE GOLD FLASH, BOTH OVER .000050 MIN NICKEL. CONTACT POST: .000100 MIN TIN OVER .000100 MIN COPPER.
- Δ 6 CONTACT BODY AND POST-TIN/NICKEL PLATE

OBSOLETE	YES	Δ 6	4-796502-2
OBSOLETE	NO	Δ 5	1-796502-1
OBSOLETE	YES	Δ 3	796502-2
OBSOLETE	NO	Δ 3	796502-1

PERIPHERAL SEAL	CONTACT FINISH	PART NUMBER

THIS DRAWING IS A CONTROLLED DOCUMENT.		DWN HAMNER 4-12-00	TE TE Connectivity	
DIMENSIONS: INCHES		CHK M.CHACKO 4-13-00		
TOLERANCES UNLESS OTHERWISE SPECIFIED:		APVD M.CHACKO 4-13-00	NAME	
0 PLC ± -		PRODUCT SPEC	RECEPTACLE ASSY, POSTED, RT ANGLE, RVS SEX, SIZE 23-19, SERIES 1, CPC	
1 PLC ± -		APPLICATION SPEC	SIZE	RESTRICTED TO
2 PLC ± .03			CAGE CODE	
3 PLC ± .010		WEIGHT	DRAWING NO	
4 PLC ± -			A2 00779	
ANGLES ± -		CUSTOMER DRAWING	SCALE	
FINISH			2:1	
			SHEET	
			1 OF 1	
			REV	
			C4	