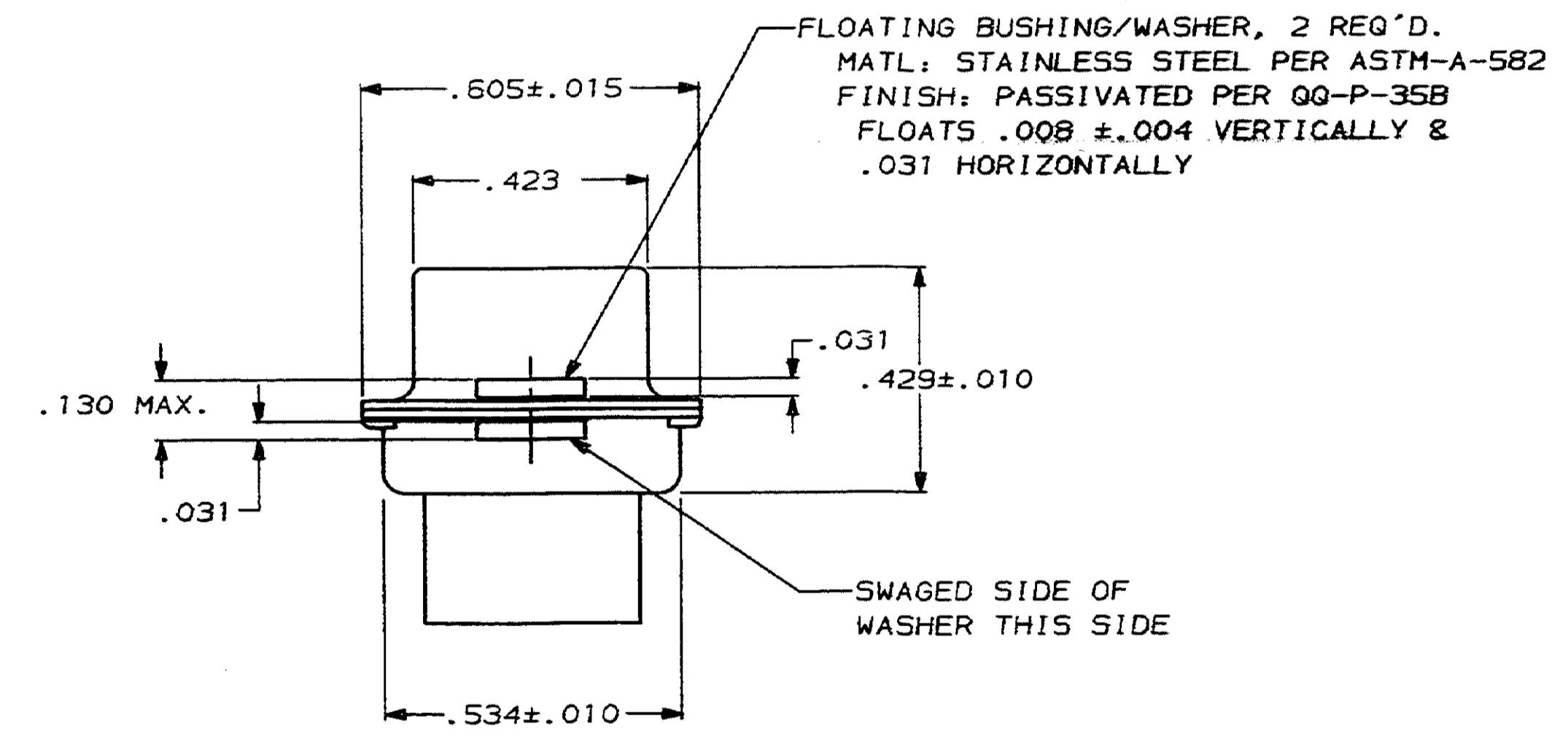
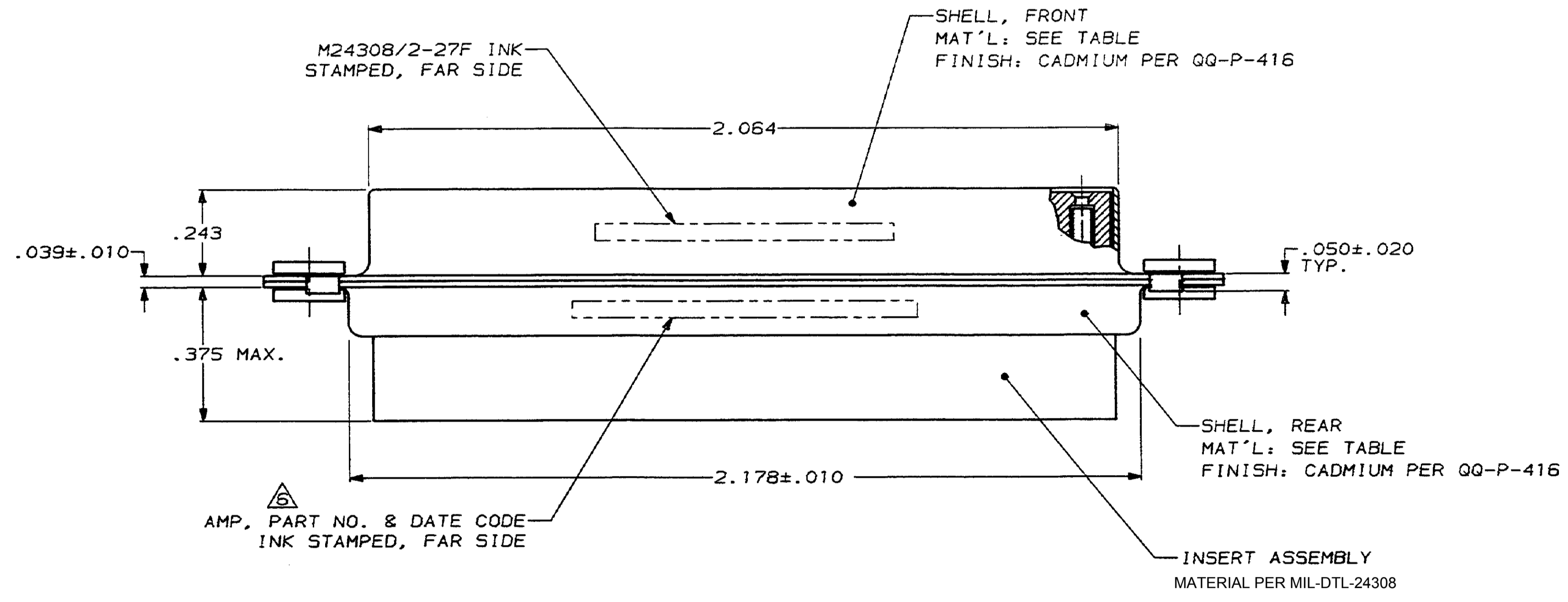
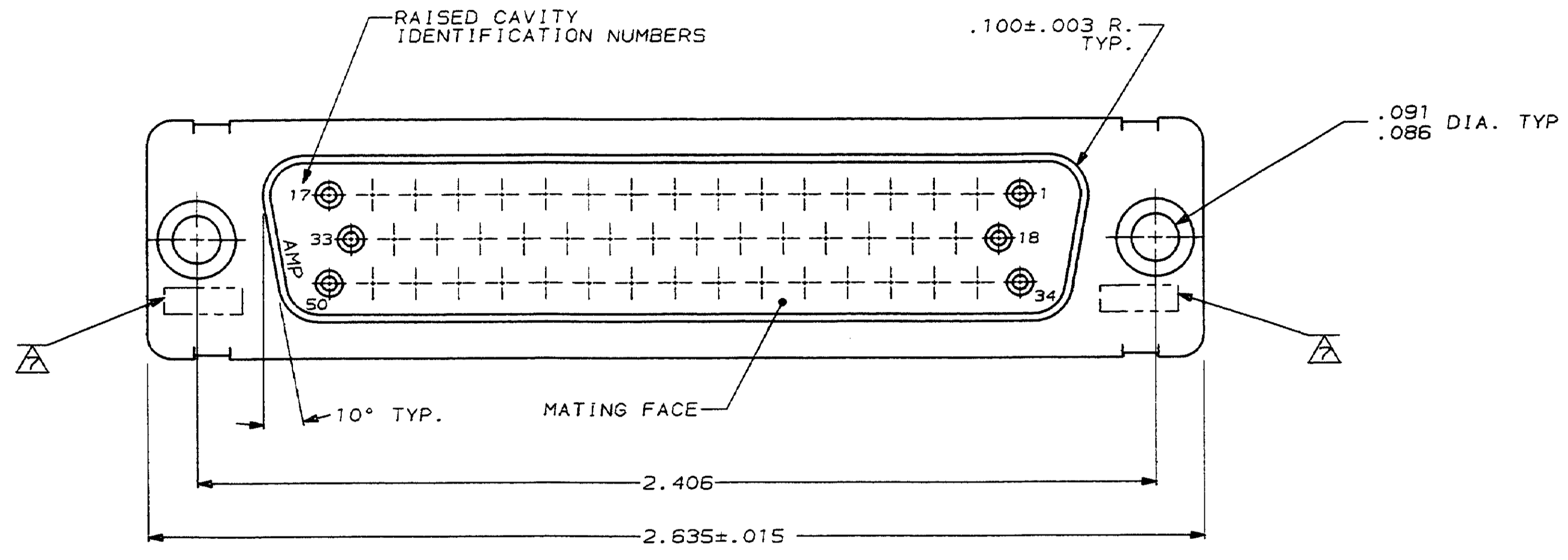


PROG		LOC	DISY	REVISONS		DATE	APPD
5066	DF	DO	P	ZONE	LTR	DESCRIPTION	
				M		REV PER ECO 15-016062	KG 5-17 CD



- THIS RCPT. IS DESIGNED TO CONFORM TO THE LATEST ISSUE OF MIL-C-24308
 - MAX WIRE INSUL TO BE USED WITH THIS RCPT IS .068 DIA
 - STAINLESS STEEL RETENTION CLIPS ARE INCLUDED IN INSERTS
 - PACKAGE STAMPED M24308/2-296F
 - THIS RCPT. WILL ACCEPT SIZE 20 SOCKET CONTACT M24308/10 OR AMP # 205090
- △ AMP PART NO. STAMPED ON CONNECTOR REPRESENTS KIT NUMBER WITH CONTACTS
- △ UL/CSA DESIGNATION STAMPED IN THIS AREA, OPTIONAL

OBSOLETE	BRASS	205420-2
	STEEL PER ASTM-A-109	205420-1
	SHELL MAT'L	PART NO

DO NOT SCALE PRINT. UNLESS SPECIFIED DIMENSIONS IN INCHES TOLERANCES ON : 2 PLC DEC ± 3 PLC DEC ± .005 ANGLES ± 0°30'	DR 12-09-87 C.C. THOMAS	AMP INCORPORATED Harrisburg, Pa. 17105
	CHK 12-10-87 F.C. BALLEW III	
MATERIAL SEE CALLOUTS	APPD 12-10-87 F.C. BALLEW III	NAME AMPLIMITE RCPT. FOR SOCKET CONTACTS HI-DENSITY "HDM-20" CONNECTOR SIZE 5 (50 POSN) SERIES 109 WITH FLOAT BUSHINGS
	APPD 12-10-87 D.J.M.	
FINISH SEE CALLOUTS	APPLICATION SPEC -	SIZE D
WEIGHT -	SCALE 4:1	DRAWING NO 205420 REV M SHEET 1 OF 1