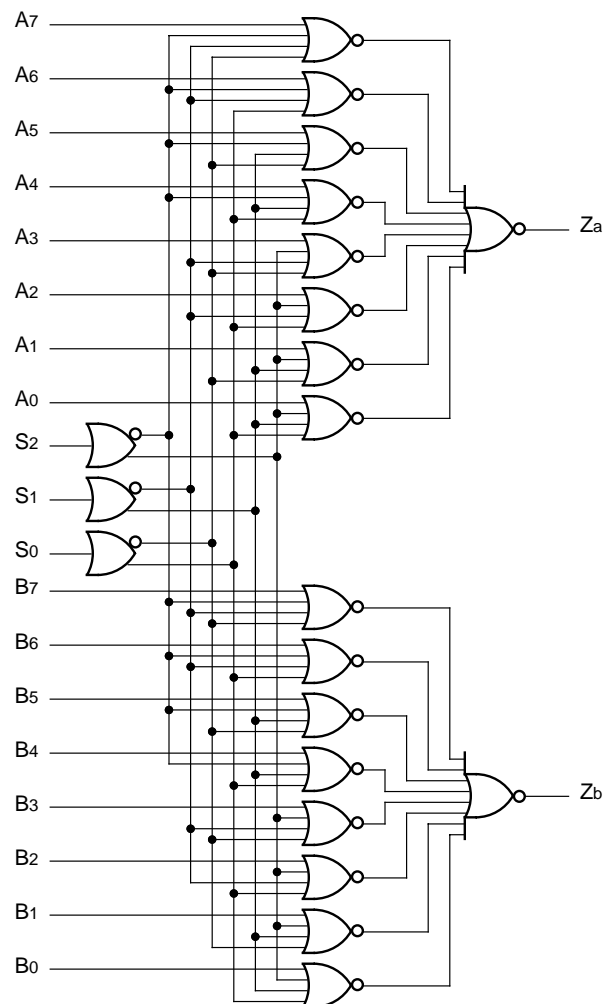


DESCRIPTION

The SY100S363 is a dual 8-input multiplexer designed for use in new, high-performance ECL systems. The three Data Select inputs (S_0 , S_1 , S_2) determine the bits from each of the inputs (A_n , B_n) that will be passed on through the two outputs. The same bit will be selected from the two groups of 8 inputs. The inputs on this device have 75K Ω pull-down resistors.

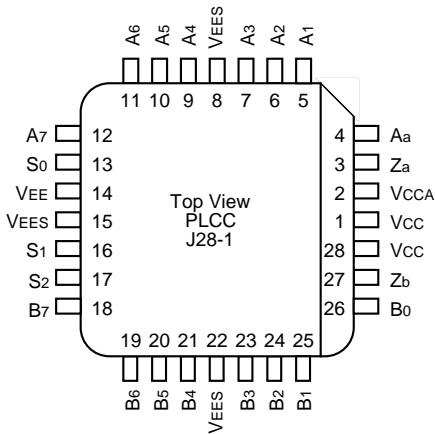
- Max. propagation delay of 900ps
- IEE min. of -92mA
- Industry standard 100K ECL levels
- Extended supply voltage option:
VEE = -4.2V to -5.5V
- Voltage and temperature compensation for improved noise immunity
- Internal 75K Ω input pull-down resistors
- 60% faster than Fairchild 300K at lower power
- Function and pinout compatible with Fairchild F100K
- Available in 24-pin CERPACK and 28-pin PLCC packages

BLOCK DIAGRAM

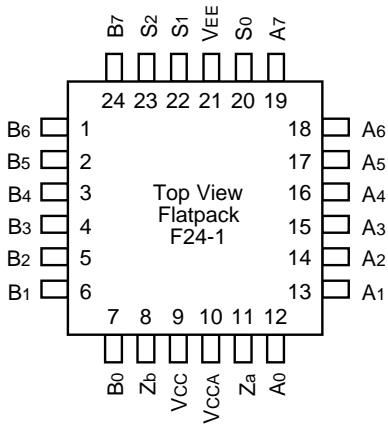


PACKAGE/ORDERING INFORMATION

Ordering Information



28-Pin PLCC (J28-1)



24-Pin Cerpack (F24-1)

Part Number	Package Type	Operating Range	Package Marking	Lead Finish
SY100S363FC	F24-1	Commercial	SY100S363FC	Sn-Pb
SY100S363FCTR ⁽¹⁾	F24-1	Commercial	SY100S363FC	Sn-Pb
SY100S363JC	J28-1	Commercial	SY100S363JC	Sn-Pb
SY100S363JCTR ⁽¹⁾	J28-1	Commercial	SY100S363JC	Sn-Pb
SY100S363JZ ⁽²⁾	J28-1	Commercial	SY100S363JZ with Pb-Free bar-line indicator	Matte-Sn
SY100S363JZTR ^(1, 2)	J28-1	Commercial	SY100S363JZ with Pb-Free bar-line indicator	Matte-Sn

Notes:

1. Tape and Reel.
2. Pb-Free package is recommended for new designs.

PIN NAMES

Pin	Function
S0 – S2	Data Select Inputs
A0 – A7	A Data Inputs
B0 – B7	B Data Inputs
Za, Zb	Data Outputs
VEES	VEE Substrate
VCCA	Vcco for ECL Outputs

Inputs											Outputs
Select			Data								
S2	S1	S0	A7/B7	A6/B6	A5/B5	A4/B4	A3/B3	A2/B2	A1/B1	A0/B0	Za/Zb
L	L	L								L	L
L	L	L								H	H
L	L	H							L		L
L	L	H							H		H
L	H	L						L			L
L	H	L						H			H
L	H	H					L				L
L	H	H					H				H
H	L	L				L					L
H	L	L				H					H
H	L	H			L						L
H	L	H			H						H
H	H	L		L							L
H	H	L		H							H
H	H	H	L								L
H	H	H	H								H

Note:

- 1. H = HIGH Voltage Level
- L = LOW Voltage Level
- Blank = X = Don't Care

DC ELECTRICAL CHARACTERISTICS

$V_{EE} = -4.2V$ to $-5.5V$ unless otherwise specified; $V_{CC} = V_{CCA} = GND$

Symbol	Parameter	Min.	Typ.	Max.	Unit	Condition
I _{IH}	Input HIGH Current	—	—	200	μA	V _{IN} = V _{IH} (Max.)
	S _n A _n , B _n	—	—	200		
I _{EE}	Power Supply Current	-92	-66	-45	mA	Inputs Open

AC ELECTRICAL CHARACTERISTICS**CERPACK**

$V_{EE} = -4.2V$ to $-5.5V$ unless otherwise specified; $V_{CC} = V_{CCA} = GND$

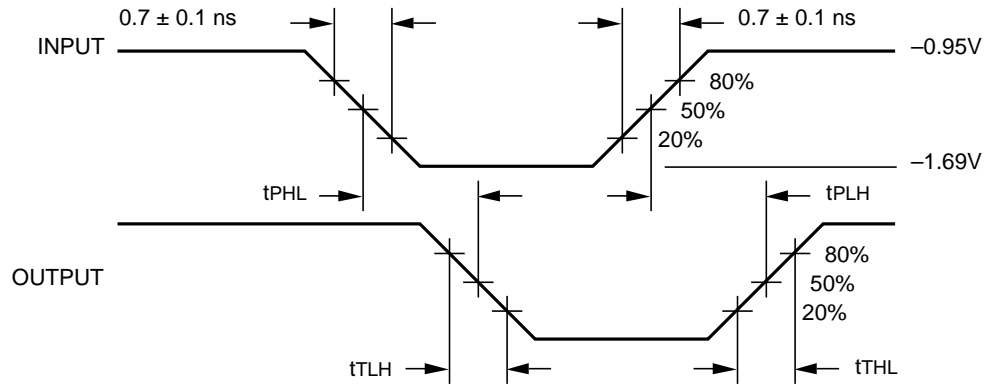
Symbol	Parameter	T _A = 0°C		T _A = +25°C		T _A = +85°C		Unit	Condition
		Min.	Max.	Min.	Max.	Min.	Max.		
t _{PLH} t _{PHL}	Propagation Delay A ₀ – A ₇ , B ₀ – B ₇ to Output	300	1000	300	1000	300	1000	ps	
t _{PLH} t _{PHL}	Propagation Delay S ₀ – S ₂ to Output	400	1400	400	1400	400	1400	ps	
t _{TLH} t _{THL}	Transition Time 20% to 80%, 80% to 20%	300	1000	300	1000	300	1000	ps	

PLCC

$V_{EE} = -4.2V$ to $-5.5V$ unless otherwise specified; $V_{CC} = V_{CCA} = GND$

Symbol	Parameter	T _A = 0°C		T _A = +25°C		T _A = +85°C		Unit	Condition
		Min.	Max.	Min.	Max.	Min.	Max.		
t _{PLH} t _{PHL}	Propagation Delay A ₀ – A ₇ , B ₀ – B ₇ to Output	300	900	300	900	300	900	ps	
t _{PLH} t _{PHL}	Propagation Delay S ₀ – S ₂ to Output	400	1300	400	1300	400	1300	ps	
t _{TLH} t _{THL}	Transition Time 20% to 80%, 80% to 20%	300	900	300	900	300	900	ps	

TIMING DIAGRAM

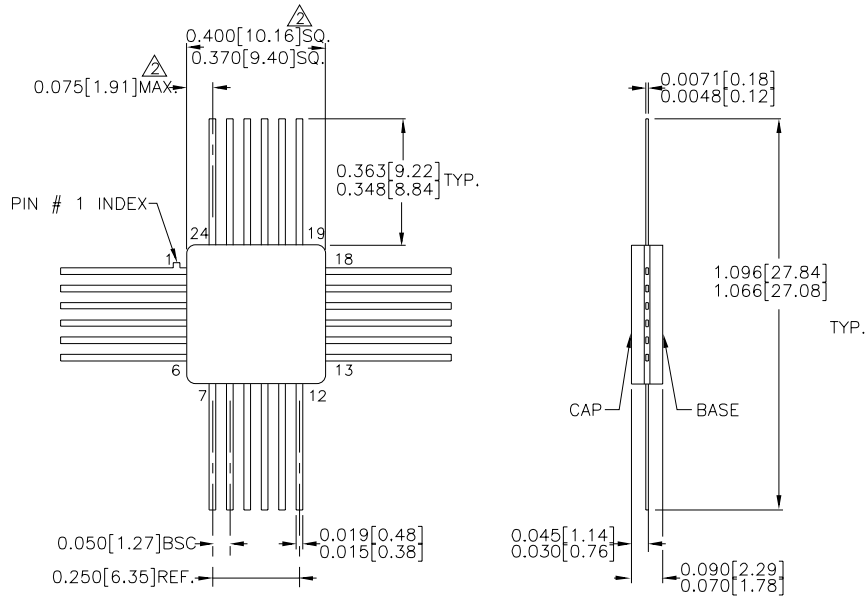


Propagation Delay and Transition Times

Note:

$V_{EE} = -4.2\text{V}$ to -5.5V unless otherwise specified; $V_{CC} = V_{CCA} = \text{GND}$

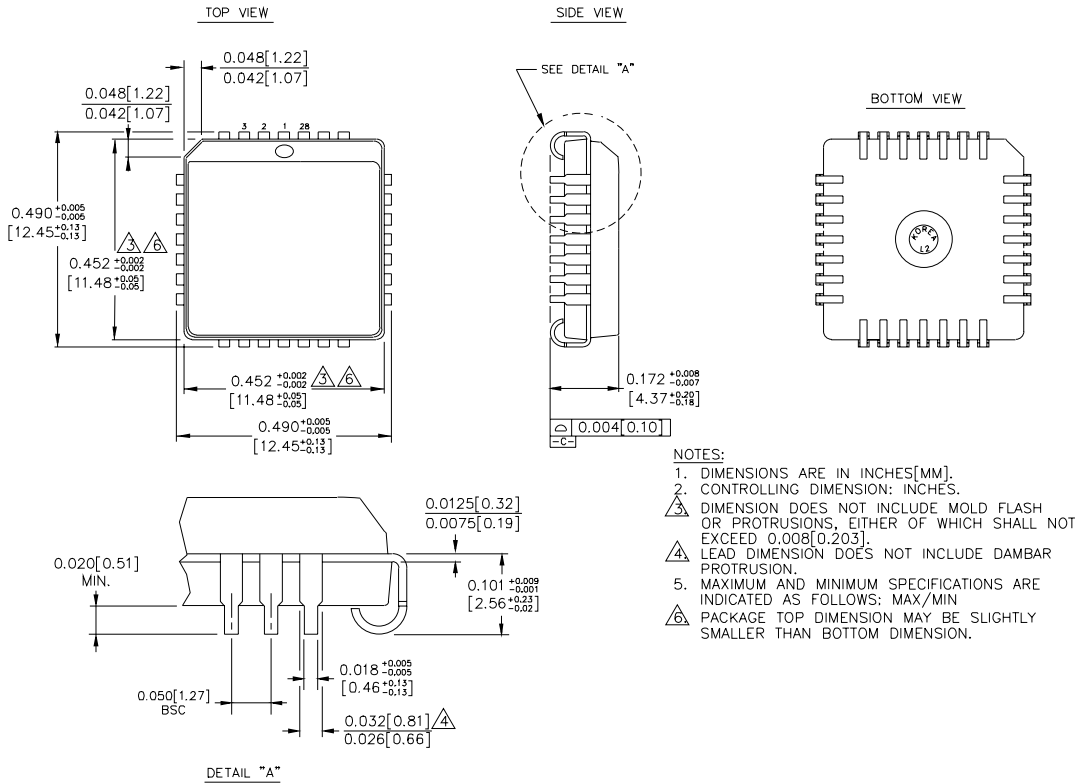
24-PIN CERPACK (F24-1)



- NOTES:
1. DIMENSIONS ARE IN INCHES[MM].
 2. THIS DIMENSION INCLUDES GLASS PROTRUSION AND CAP TO BASE ALIGNMENT TOLERANCES.
 3. DIMENSIONS SHOWN ARE MAX/MIN, WHERE NOTED.

Rev. 03

28-PIN PLCC (J28-1)



Rev. 03

MICREL, INC. 2180 FORTUNE DRIVE SAN JOSE, CA 95131 USA

TEL + 1 (408) 944-0800 FAX + 1 (408) 474-1000 WEB <http://www.micrel.com>

The information furnished by Micrel in this datasheet is believed to be accurate and reliable. However, no responsibility is assumed by Micrel for its use. Micrel reserves the right to change circuitry and specifications at any time without notification to the customer.

Micrel Products are not designed or authorized for use as components in life support appliances, devices or systems where malfunction of a product can reasonably be expected to result in personal injury. Life support devices or systems are devices or systems that (a) are intended for surgical implant into the body or (b) support or sustain life, and whose failure to perform can be reasonably expected to result in a significant injury to the user. A Purchaser's use or sale of Micrel Products for use in life support appliances, devices or systems is at Purchaser's own risk and Purchaser agrees to fully indemnify Micrel for any damages resulting from such use or sale.

© 2006 Micrel, Incorporated.