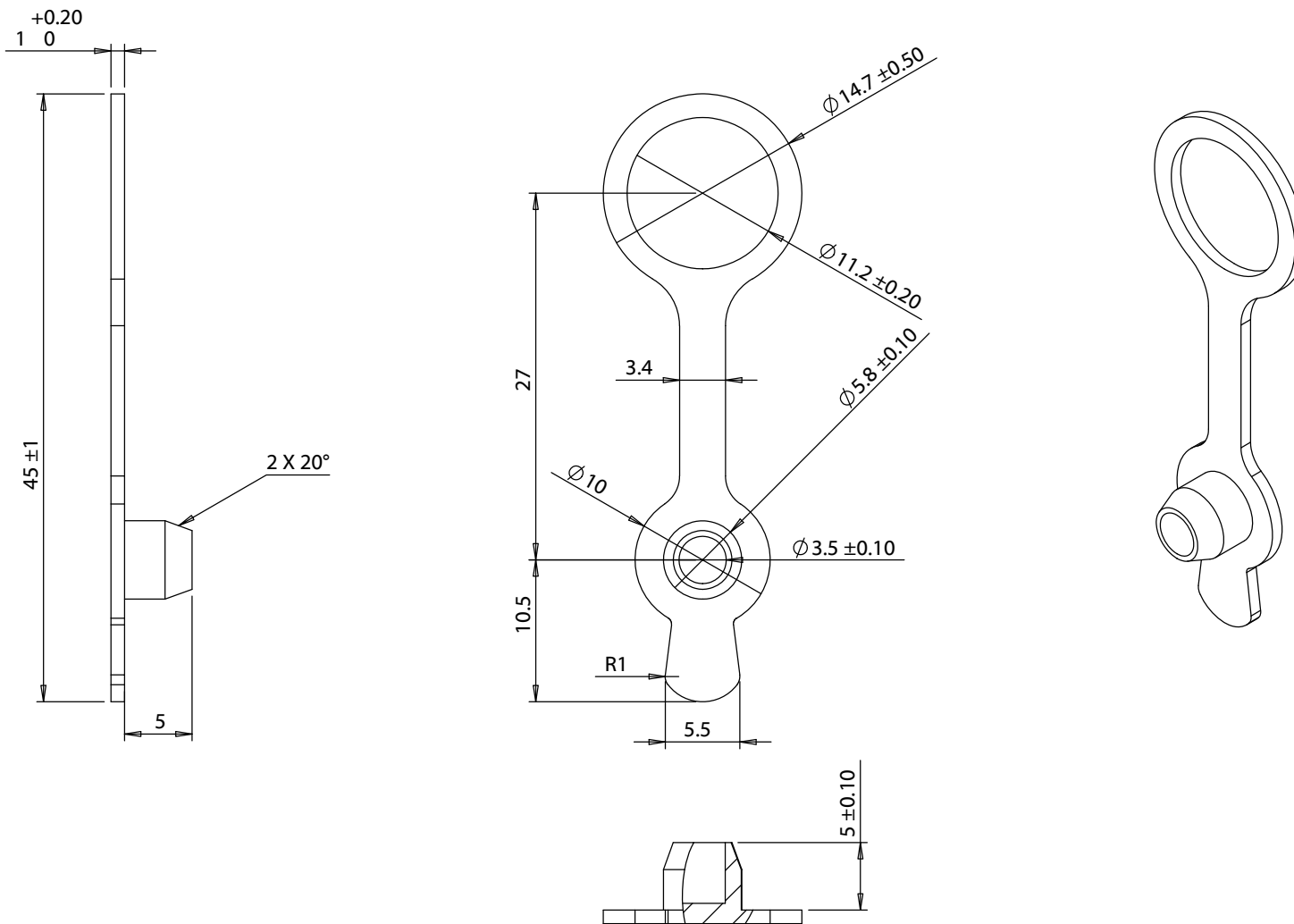



ITEM NO.	PART NUMBER	DESCRIPTION	QTY.	COMPONENT NOTES
1	55-00111	Dust cap, overmold snap fit, 5.5x2.0-2.5 mm	1	



Revision:	Date:	Description:	Prepared:	Notes:	TENSILITY
A	7/8/2019	Initial release	AG <small>Digitally signed by AG Date: 2019.07.08 15:58:26 -0700'</small>		
			Verified:	Function test: no open, no short circuit, no intermittent	tel 1.541.323.3228 800 877.670.7118 fax 1.541.323.4202 web tensility.com
			Dimensions are in millimeters. Tolerances: X: ± 0.3 mm X.X: ± 0.1 mm X.XX: ± 0.1 mm	Description: Dust cap, overmold snap fit, 5.5x2.0-2.5 mm	Size: Part number: A 55-00111
					Scale: 2:1  Sheet 1 of 1

5

4

3

2

1