

LOC	DIST	REVISIONS					
		P	LTR	DESCRIPTION	DATE	DWN	APVD
H	-		F1	ECO-11-005294	27APR11	-	HMR
			F2	ECR-12-021221	11DEC12	RK	BvH

1 CONSTRUCTION

- 1.1 Conductor:**
 1.1.1 Construction: Stranded 7x0.127 mm copper tin plated
 1.1.2 Cross-section: 28AWG (0.089 mm²)
 1.1.3 Diam.: 0.39 mm

- 1.2 Insulation:**
 1.2.1 Material: PVC 105°C
 1.2.2 Insulation thickness: nom. 0.25 mm
 1.2.3 Diam.: 0.93 mm
 1.2.4 Pitch: 1.27 (see Table 1)
 1.2.5 Colour: Gray RAL7032
 Conductor #1 Red
 1.2.6 Shore hardness: 94

- 2. Electrical requirements:**
 2.1 DC Resistance: 216 Ohm/km at 20°C
 2.2 Insulation Resistance: 100 MOhm x km at 20°C
 2.3 Max Operating Voltage: 300V at 50Hz
 2.4 Test voltage: min. 2000V 50Hz at 1Min
 2.5 Capacitance: max. 60pF/m

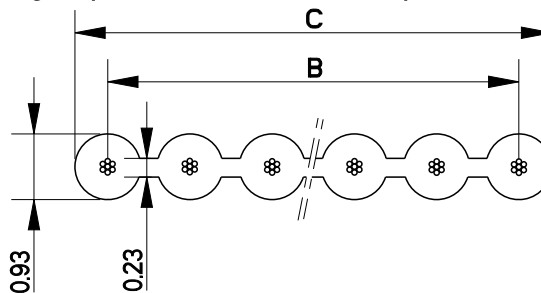
- 3 Mechanical Requirements**
 3.1 Temperature Range
 fixed -30°C +105°C
 fixed -40°C +105°C according DIN72551
 moving -20°C +105°C

- 3.2 Bending radius:
 One-time bending: min. radius = 5 x outer diameter
 Repeated bending: min. radius = 10 x outer diameter

- 4 Certification: UL2651**
 CSA
 VDE 0811

- 5 Dimensions (see Table 1)**

- 6 Remarks: Length per Reel has to be splice free**



20


RELEASED FOR PUBLICATION

ALL RIGHTS RESERVED.

BY -

© COPYRIGHT 20

THIS DRAWING IS UNPUBLISHED.

DIMENSIONS: mm	DWN F.VRIELINK	MATERIAL	1	FINISH	1
	CHK B.MAAS	 TE Connectivity			
TOLERANCES UNLESS OTHERWISE SPECIFIED:	APVD J.V.GRUNSVEN				
0 PLC ±	PRODUCT SPEC	SIZE	CAGE CODE	DRAWING NO	RESTRICTED TO
1 PLC ±	-	A 4	00779	C-167019	-
2 PLC ±	APPLICATION SPEC	Customer Drawing			
3 PLC ±	-	SCALE	-	SHEET	1 OF 2
4 PLC ±	WEIGHT	REV F2			
ANGLES ±° -'					

LOC	DIST	REVISIONS					
H	-	P	LTR	DESCRIPTION	DATE	DWN	APVD
			-	SEE SHEET 1	-	-	-

TABLE 1

100	80.94	80.01	64	6-167019-4
100	75.86	74.93	60	6-167019-0
100	63.16	62.23	50	5-167019-0
100	50.46	49.53	40	4-167019-0
100	46.65	45.72	37	3-167019-7
100	42.84	41.91	34	3-167019-4
100	32.68	31.75	26	2-167019-6
100	31.41	30.48	25	2-167019-5
100	30.14	29.21	24	2-167019-4
450	25.06	24.13	20	2-167019-0
500	22.52	21.59	18	1-167019-8
600	19.98	19.05	16	1-167019-6
625	18.71	17.78	15	1-167019-5
650	17.44	16.51	14	1-167019-4
700	14.90	13.97	12	1-167019-2
900	12.36	11.43	10	1-167019-0
950	11.09	10.16	9	0-167019-9
1000	9.82	8.89	8	0-167019-8
1300	7.28	6.35	6	0-167019-6
1800	4.74	3.81	4	0-167019-4
Length per Reel (m)	C (mm)	B (mm)	Number of Conductors	TE Partnumber

20


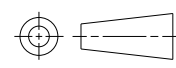
RELEASED FOR PUBLICATION

ALL RIGHTS RESERVED.

BY -

© COPYRIGHT 20

THIS DRAWING IS UNPUBLISHED.

DIMENSIONS: mm		DWN F.VRIELINK	MATERIAL	FINISH
TOLERANCES UNLESS OTHERWISE SPECIFIED: 0 PLC ± 1 PLC ±± 2 PLC ±±± 3 PLC ±±±± 4 PLC ±±±±± ANGLES ±° -'		CHK B.MAAS	1	1
		APVD J.V.GRUNSVEN	 TE Connectivity	
PRODUCT SPEC		NAME FLAT RIBBON CABLE 28AWG PITCH 1.27 mm		
APPLICATION SPEC		SIZE CAGE CODE DRAWING NO RESTRICTED TO		
WEIGHT		A 4 00779 C-167019 -		
		Customer Drawing SCALE - SHEET 2 OF 2 REV F2		