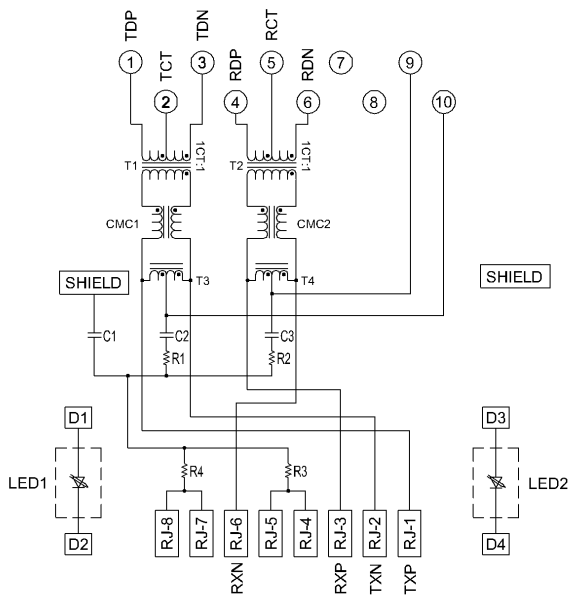
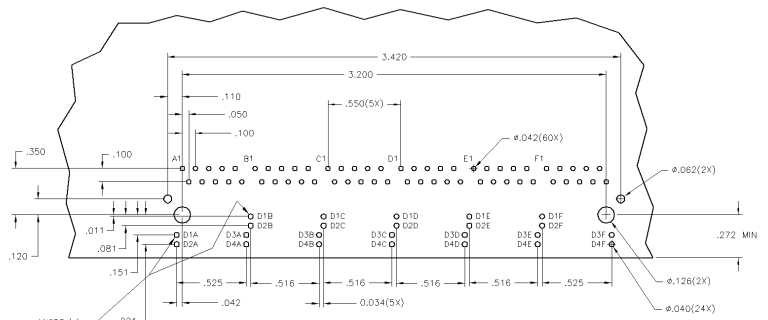




7Q15P1 MAGNETIC CIRCUIT



- C1 = 1000pF, 2kV CAPACITOR
- R1 - R4 = 75 OHMS, 1/16W RESISTORS
- C2 & C3 = 15nF, 100VDC CAPACITORS



Suggested PCB Layout  
(Component Side)

THIS DRAWING IS A CONTROLLED DOCUMENT.		REV: AA	DATE: 22	ISSUED BY: [Signature]	DATE: [Date]	ISSUED BY: [Signature]
DESIGNER: [Name]	CHECKED BY: [Name]	APPROVED BY: [Name]	DATE: [Date]	ISSUED BY: [Signature]	DATE: [Date]	ISSUED BY: [Signature]
TITLE: 15E MAG45(CM), MODULAR JACK, 7Q15P1 VOLTAGE: 100-2100 SIZE: 100x100 (mm)			PROJECT: [Project Name] DRAWING NO: 6610164 SHEET: 2 OF 2			