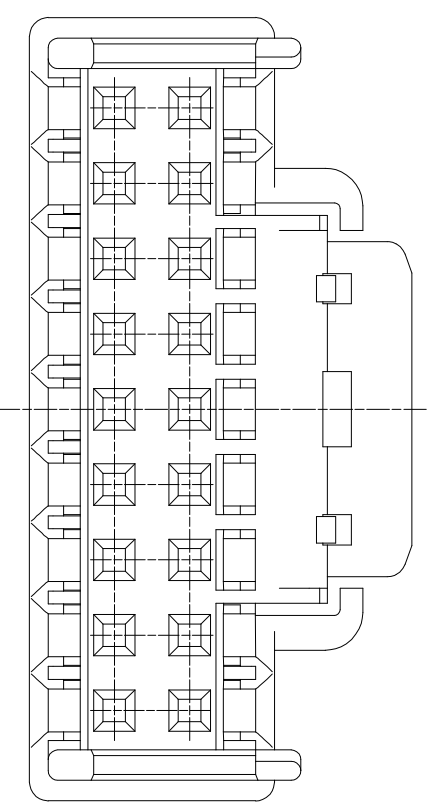
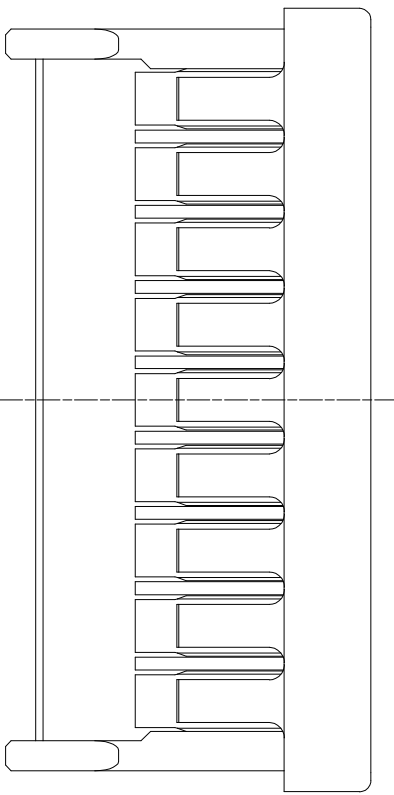
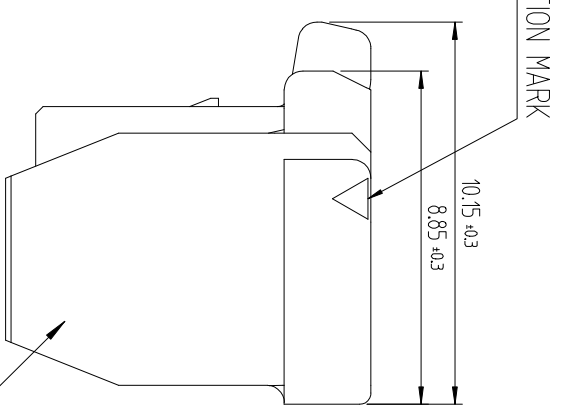
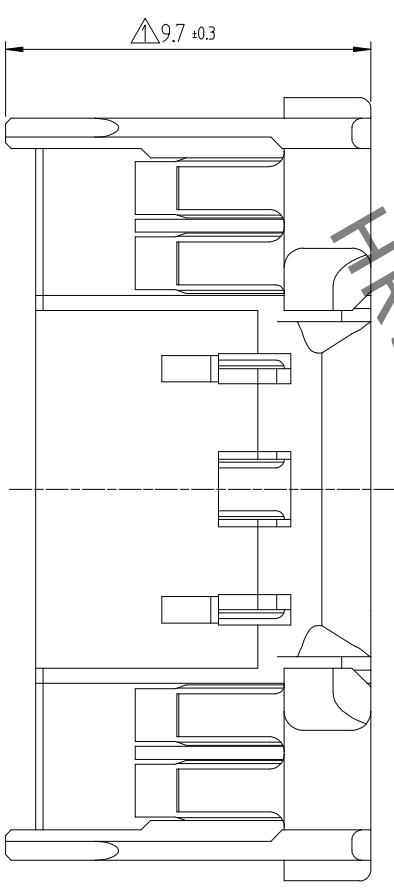
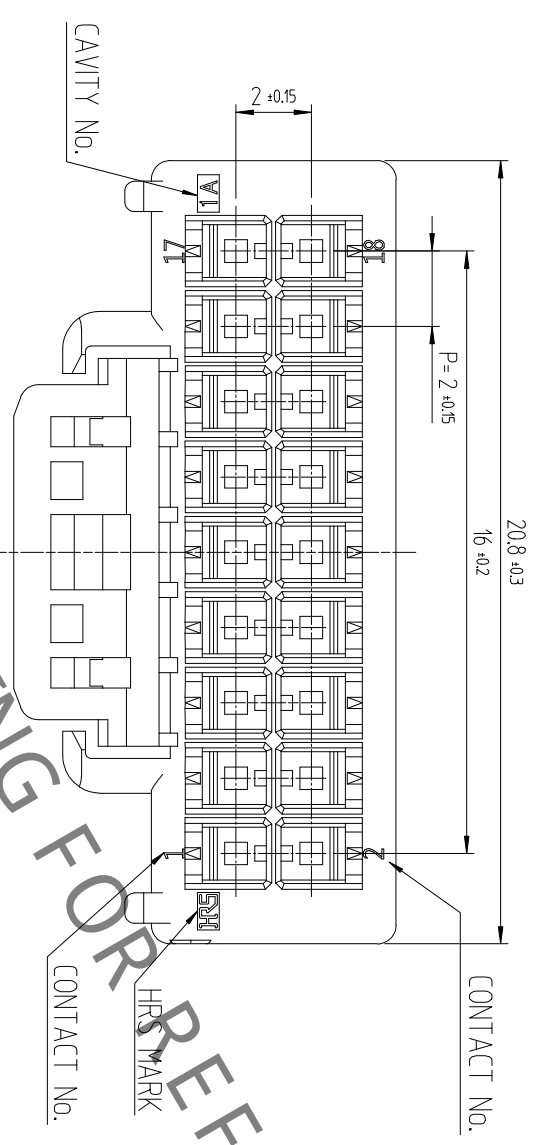


△數 COUNT	訂正事項 DESCRIPTION OF REVISIONS	檢査 CHKD	年月日 DATE	△數 COUNT	訂正事項 DESCRIPTION OF REVISIONS	檢査 CHKD	年月日 DATE
1	RE-6-1150	K.I.Y	18. 07. 04	△			.. .
2	RE-6-1579	K.I.Y	20. 01. 23	△			.. .



NOTE 1. 1PACK CONTAINS 100PCS.

△2. UL(UL File No. E132750) AUTHORIZATION ARTICLE.

C-UL(UL File No. E132750) AUTHORIZATION ARTICLE.



NO.	MATERIAL	FINISH/REMARKS	NO.	MATERIAL	FINISH/REMARKS
1	PBT	UL94V-0, BLACK			

SCALE	DRAWING NO.	PART NO.
5:1	EDC3-632496	DF51K-18DS-2C(800)
UNITS	HIROSE KOREA CO.,LTD.	CODE NO.
mm		CL 6652-0032-5-800

F E D C B A 1 2 3 4 5 6 7 8