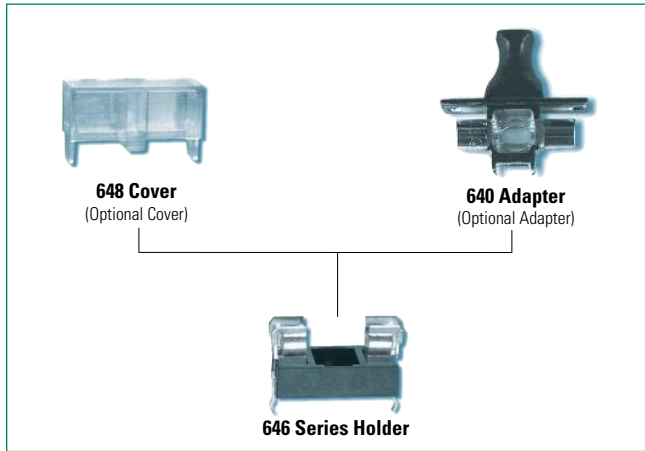


### 646 Series Molded Base Fuse Block For 5x20mm Fuses

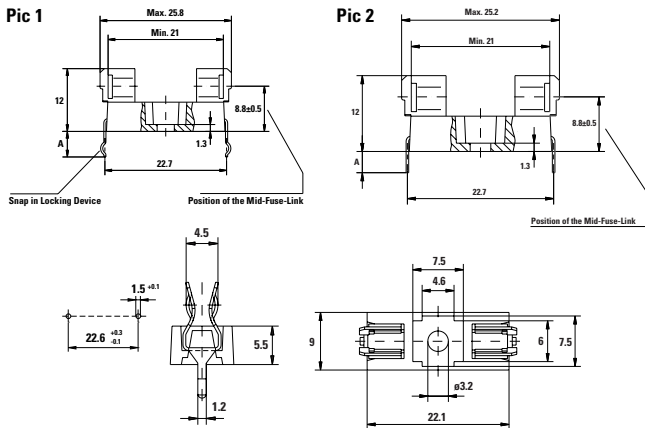


### Product Characteristics

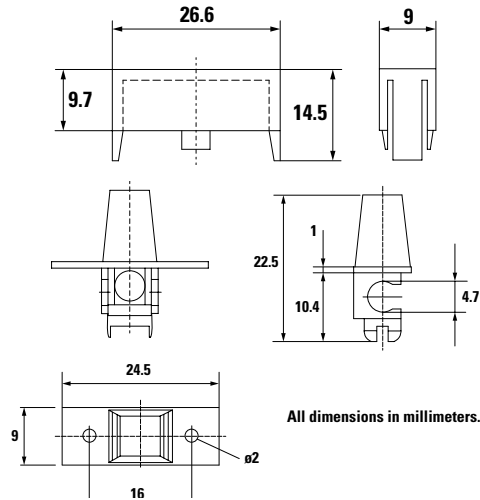
| Compatible Fuse Sizes         | For 5x20mm Fuses                                                                   |
|-------------------------------|------------------------------------------------------------------------------------|
| <b>Materials</b>              | <b>Holder:</b> Black Thermoplastic, UL94 V-0 Polyamide PA 6.6                      |
|                               | <b>Cover:</b> Transparent Thermoplastic, UL94 V-0, Polycarbonate PC                |
|                               | <b>Adapter:</b> Polyester PBT, UL94 V-0                                            |
|                               | <b>Metal Parts:</b> Tin plated Copper alloy                                        |
| <b>Electrical Data (23°C)</b> | <b>Rated Voltage:</b> 250V                                                         |
|                               | <b>Max. Current/Power:</b> 6.3A/2.5W 5A/1W (with No. 648) 6.3A/1.6W (with No. 640) |
| <b>Mounting</b>               | Solder pins 0.5mmx1.2mm<br>Ø 3mm screw hole may be used optionally                 |
| <b>Minimum Cross Section</b>  | Conducting path - 0.2mm <sup>2</sup>                                               |
| <b>Unit Weight</b>            | 1.6g (Holder), 1.0g (Cover), 1.0g (Adapter)                                        |

**Note:** If used with cover, refer to [Fuseology](#) for information on proper fuse block re-rating.

### Dimensions



### Recommended Hole Pattern



All dimensions in millimeters.

**Note:** 1.00 means the number one with two decimal places. 1,000 means the number one thousand. Contact Littelfuse for an auto-insertable fuse, holder and adapter assembly.

### Ordering Information

| Ordering PN | Description | Pic | Meas. "A" | For PCB-Thickness |
|-------------|-------------|-----|-----------|-------------------|
| 64600001003 | Fuse Block  | 1   | 5mm       | 3mm               |
| 64600001223 | Fuse Block  | 1   | 3.2mm     | 1.5mm             |
| 64600001233 | Fuse Block  | 2   | 3.3mm     | 1.5mm             |

| Ordering PN | Description        | Fuse PN      | Block PN   |
|-------------|--------------------|--------------|------------|
| 64612007113 | Fuse & Block Assy. | 0215002.MXP  | 6460001233 |
| 64612007123 | Fuse & Block Assy. | 0219002.MXAP |            |
| 64614007143 | Fuse & Block Assy. | 0218004.MXP  |            |

| Ordering PN | Description      |
|-------------|------------------|
| 64000001003 | Adapter - Black  |
| 64000001403 | Adapter - Brown  |
| 64000001503 | Adapter - White  |
| 64000001603 | Adapter - Yellow |
| 64000001703 | Adapter - Green  |
| 64000001903 | Adapter - Blue   |
| 64800001009 | Clear Cover      |

### Additional Information



Datasheet



Resources



Samples