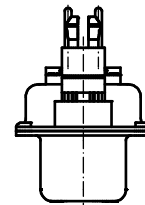
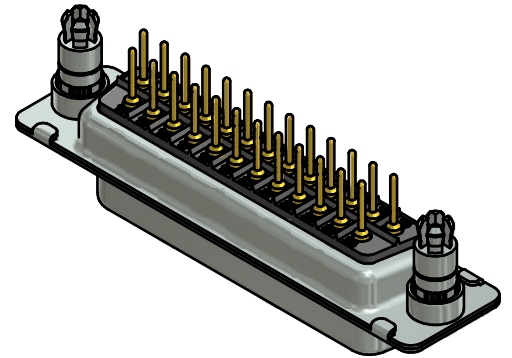
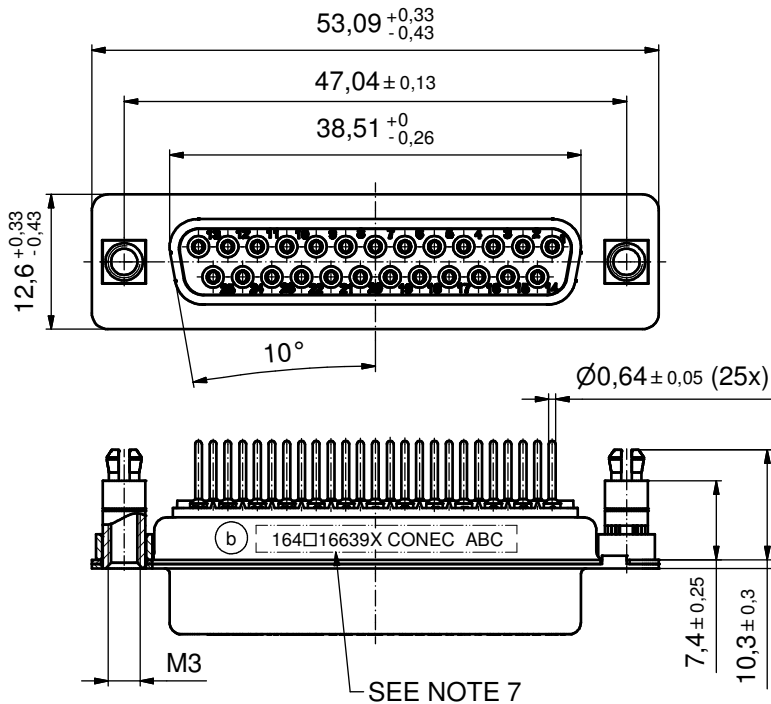
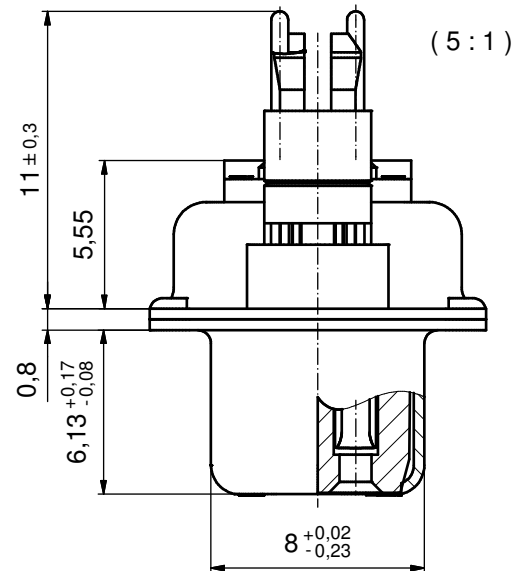
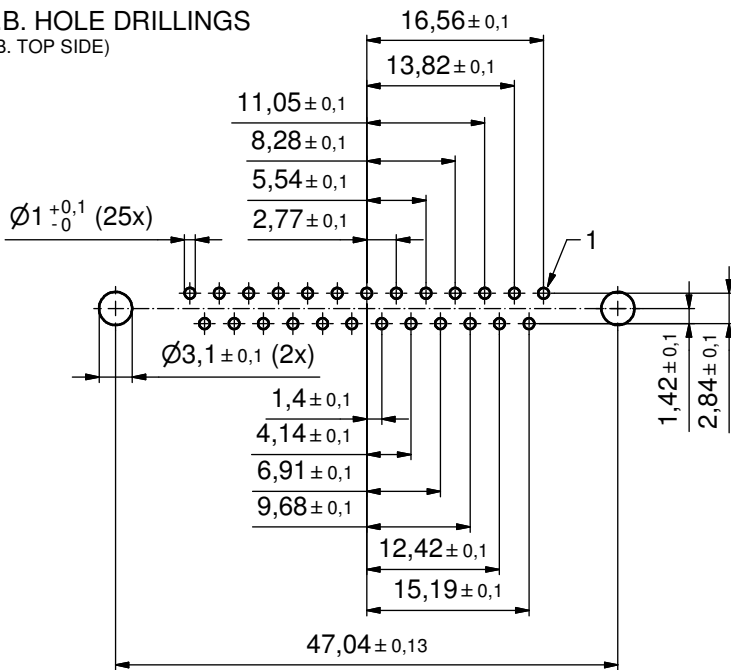


P.C.B. HOLE DRILLINGS
(P.C.B. TOP SIDE)



NOTES:

1. METALSHELLS: STEEL; min. 315µm TIN over 40-80µm NICKEL
2. INSULATORS: PBT GF UL 94 V-0; BLACK
3. SIGNAL CONTACTS: COPPER ALLOY; PLATING (SEE PART NO.):
 - PLEASE ADD A for GOLD FLASH over NICKEL (PREFERRED TYPE)
 - PLEASE ADD B for 20µm HARD GOLD over min. 50µm NICKEL
 - PLEASE ADD C for 30µm HARD GOLD over min. 50µm NICKEL
4. THREADED REAR SPACER CLIPS: COPPER ALLOY; min. 200µm TIN over 80µm NICKEL
PCB-HOLES: $\varnothing 3,1 \pm 0,1$ mm; PCB THICKNESS 1,6mm
5. COLLARS: COPPER ALLOY; min. 200µm TIN over 80µm NICKEL
6. MAXIMUM TORQUE VALUE FOR THREAD: 6 in.LB
7. CONNECTOR IS PART MARKED: **164□16639X CONEC ABC**, (see note 3)

RoHS compliant

THIS DRAWING MAY NOT BE COPIED OR REPRODUCED IN ANY WAY, AND MAY NOT BE PASSED ON TO A THIRD PARTY WITHOUT WRITTEN PERMISSION. OWNERSHIP AND COPYRIGHT OF CONEC GmbH

DO NOT ALTER CAD DRAWING BY HAND

				tolerance		dim. in mm
				date	name	
				drawn	16.06.04	Lehmenkühler
				appd.	16.06.04	Mickenbecker
				norm		
				d-old		
3 x b	Ä5826	24.09.2015	K.H.	CONEC ®		
a	Original					
rev.	description	date	name			

scale: 2:1 (5:1)	
material: SEE NOTES	
title: D-SUB FEMALE 25pos. SOLDER PIN STRAIGHT with threaded rear spacer clip	
dwg no:	DIN-A3
16K1A1183	
part no: (b)164□16639X (see note 3)	sh: 1