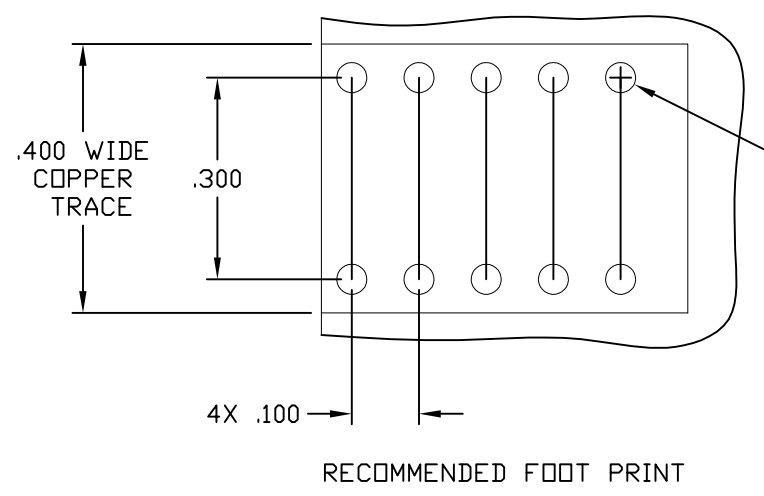


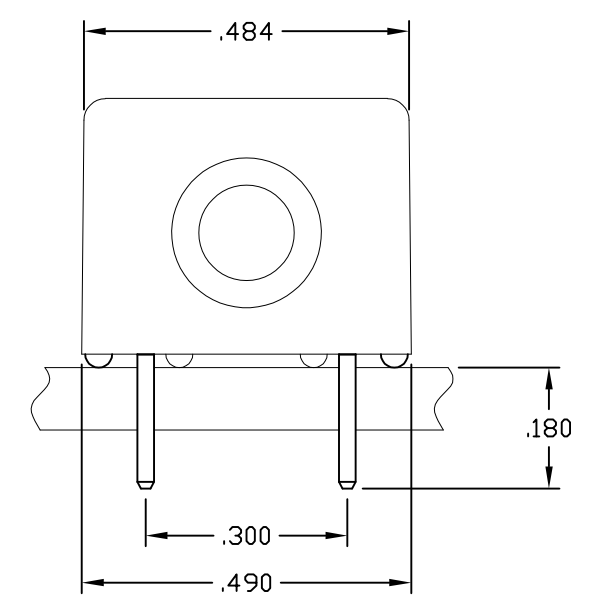
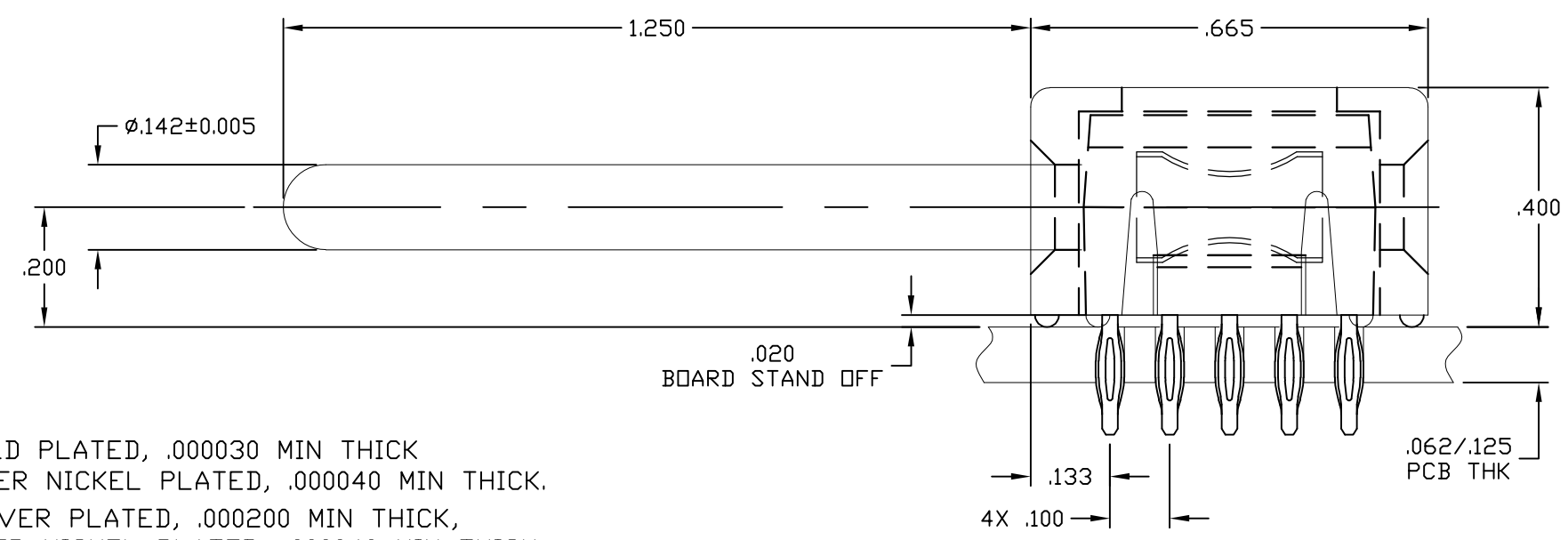
THIS DRAWING IS UNPUBLISHED. RELEASED FOR PUBLICATION
 © COPYRIGHT - By - ALL RIGHTS RESERVED.

LOC	DIST	REVISIONS					
GP	00	P	LTR	DESCRIPTION	DATE	DWN	APVD
		C		REV PER ECO-11-007678	11JUL2011	RG	DO



RECOMMENDED PRINTED CIRCUIT HOLE
 COMPLIANT PRESS FIT
 DRILLED HOLE: $\phi 0.0453 \pm 0.0005$
 COPPER PLATE: .0010 - .0020 (PER SURFACE)
 TIN PLATE: .00002 MINIMUM (PER SURFACE)
 10X

RECOMMENDED FOOT PRINT



4. FINISHES:

- CROWN: GOLD PLATED, .000030 MIN THICK
OVER NICKEL PLATED, .000040 MIN THICK.
- INSERT: SILVER PLATED, .000200 MIN THICK,
OVER NICKEL PLATED, .000040 MIN THICK.
- COMPLIANT TAIL: SILVER PLATED, .000200 MIN THICK,
OVER NICKEL PLATED, .000040 MIN THICK.
- CONTACT: SILVER PLATED, .000200 MIN THICK,
OVER NICKEL PLATED, .000040 MIN THICK.

3. MATERIALS:

- HOUSING: THERMOPLASTIC, GLASS REINFORCED, COLOR-BLACK
UL94V-0 FLAMMABILITY RATED
- CROWN: COPPER ALLOY
- INSERT: ZINC ALLOY, CASTING
- CONTACT: BRASS ALLOY
- COMPLIANT TAIL: PHOSPHOR BRONZE ALLOY

5. FOR APPLICATIONS UTILIZING AN IMMERSION SILVER PLATED PCB.
 CONSULT TYCO ENGINEERING.

2. ITEMS PROVIDED TO THIS SPECIFICATION SHALL BE IDENTIFIED ON THE CONTAINER WITH THE FOLLOWING INFORMATION:
 PART NUMBER & DATE CODE OF MANUFACTURE.
1. PART NUMBER CHANGES AND OR DESIGN CHANGES AFFECTING ITEM INTERCHANGEABILITY REQUIRE PRIOR TE APPROVAL AND AUTHORIZATION BY REVISION TO THIS DRAWING.

6643445-1
 PART NUMBER

THIS DRAWING IS A CONTROLLED DOCUMENT.		DWN HA/GRZYBOWSKI 12JAN2011	TE Connectivity	
DIMENSIONS: INCHES		CHK ORRIS 12JAN2011		
		APVD FLICKINGER/ORRIS 12JAN2011	NAME ICCON, PIN, SIZE No.8, PARALLEL COMPLIANT TAIL, 10 PIN FOOT PRINT NON LOCKING STYLE, 1.250 PIN EXT.	
TOLERANCES UNLESS OTHERWISE SPECIFIED:		PRODUCT SPEC	SIZE	
0 PLC ± -		APPLICATION SPEC	CAGE CODE	
1 PLC ± -		WEIGHT	DRAWING NO	
2 PLC ± .02		CUSTOMER DRAWING	RESTRICTED TO	
3 PLC ± .010		SCALE 4:1	SHEET 1 OF 1	
4 PLC ± -		REV C		
ANGLES ± .5				
FINISH				
MATERIAL				