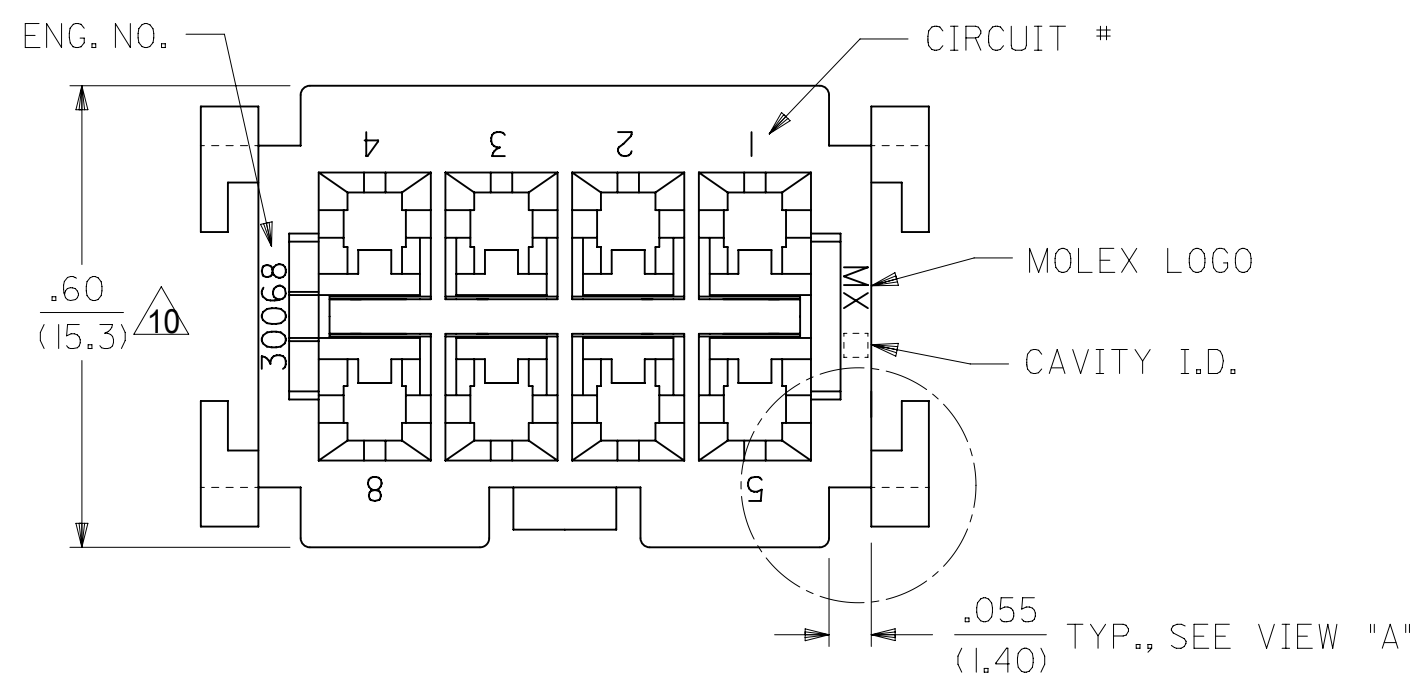


CKT. SIZE	ENG. NO.	EDP. NO.	DIM. "A" REF.	DIM. "B"
2	30068-2	15-97-6021	----	.467 (11.86)
4	30068-4	15-97-6041	.165 (4.20)	.467 (11.86)
6	30068-6	15-97-6061	.331 (8.40)	.633 (16.08)
8	30068-8	15-97-6081	.496 (12.60)	.798 (20.27)
10	30068-10	15-97-6101	.661 (16.80)	.963 (24.46)
14	30068-14	NOT TOOLED	.992 (25.20)	1.294 (32.87)
16	30068-16	15-97-6161	1.157 (29.40)	1.459 (37.06)

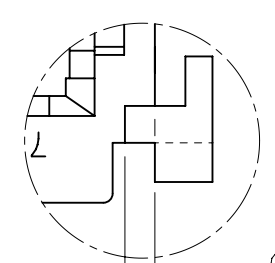


- NOTES:
1. MATERIAL: UNFILLED POLYESTER, U.L. 94V-0; COLOR: BLACK
  2. FINISH: N/A
  3. PRODUCT SPECIFICATION: PS-5556-003
  4. PACKAGING: BULK
  5. HOUSING TO BE USED WITH TERMINAL #5558.
  6. HOUSING MATES WITH RECEPTACLE #30067
  7. HOUSING TO BE USED WITH T.P.A. NO. 30072-\*
  8. PART CONFORMS TO CLASS "B" REQUIREMENTS OF COSMETIC SPECIFICATION PS-45499-002.
  9. 15/3.84 DIMENSION IS .234/5.94 ON 2 CKT PARTS.
  10. SEE 4 CKT VIEW FOR 4 CKT PARTS

LEGEND:

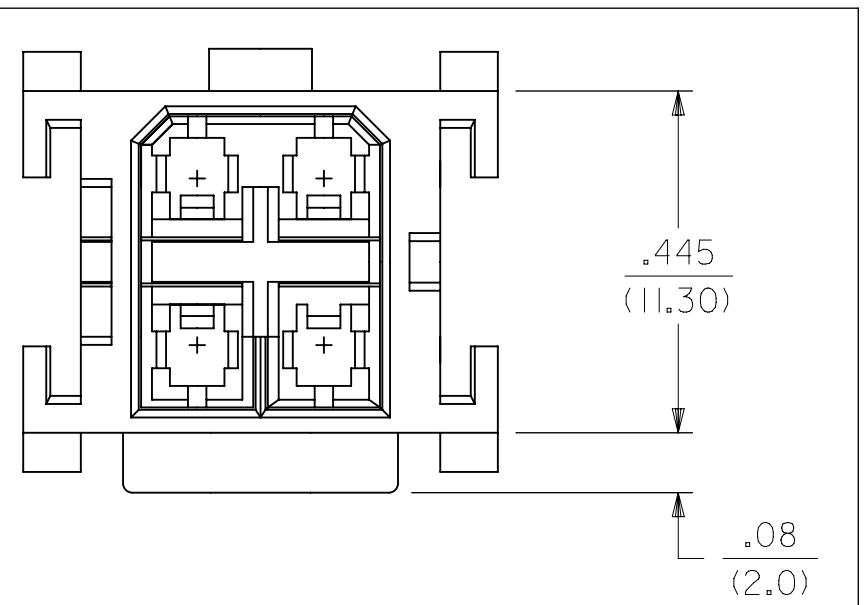
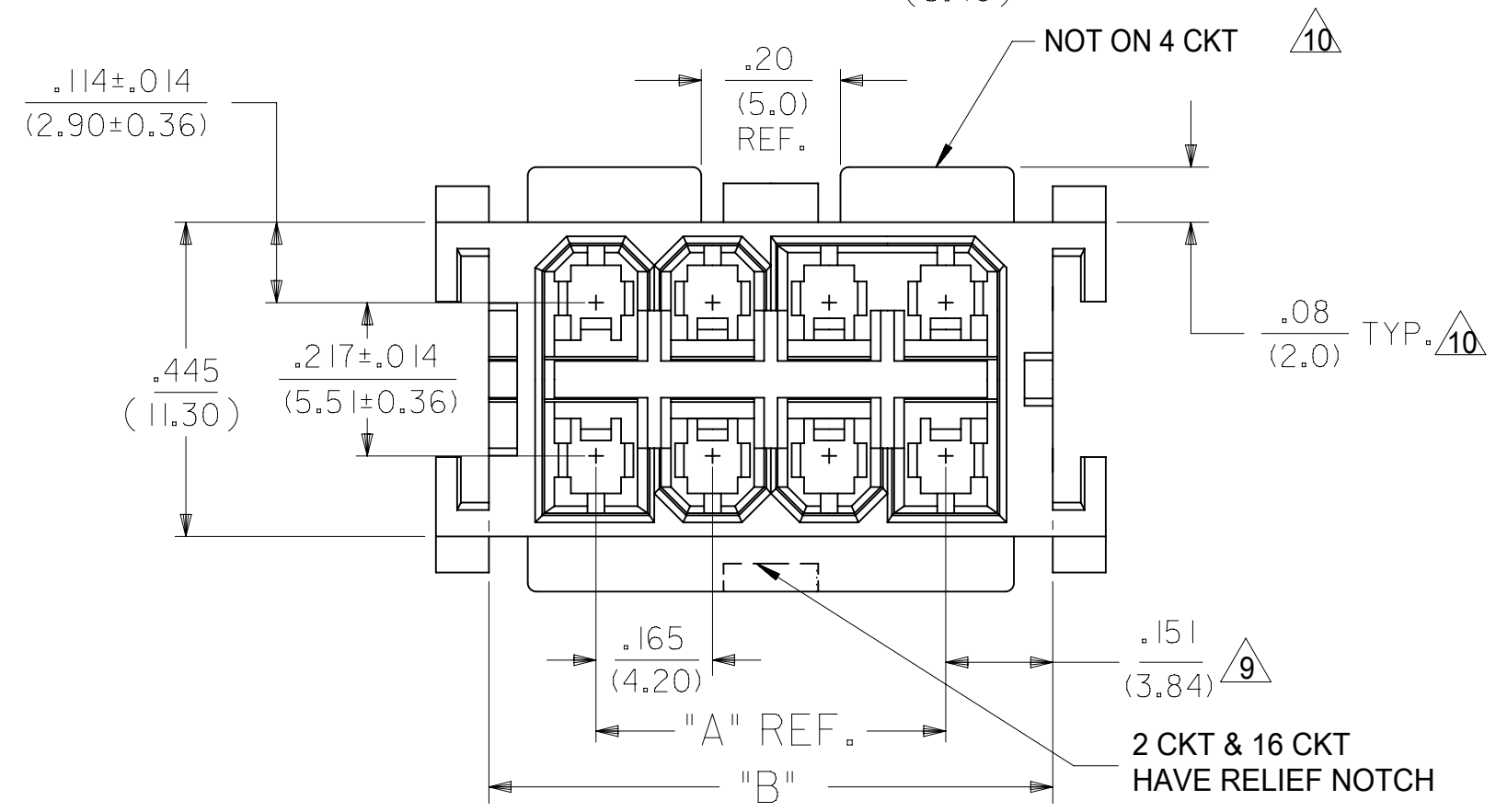
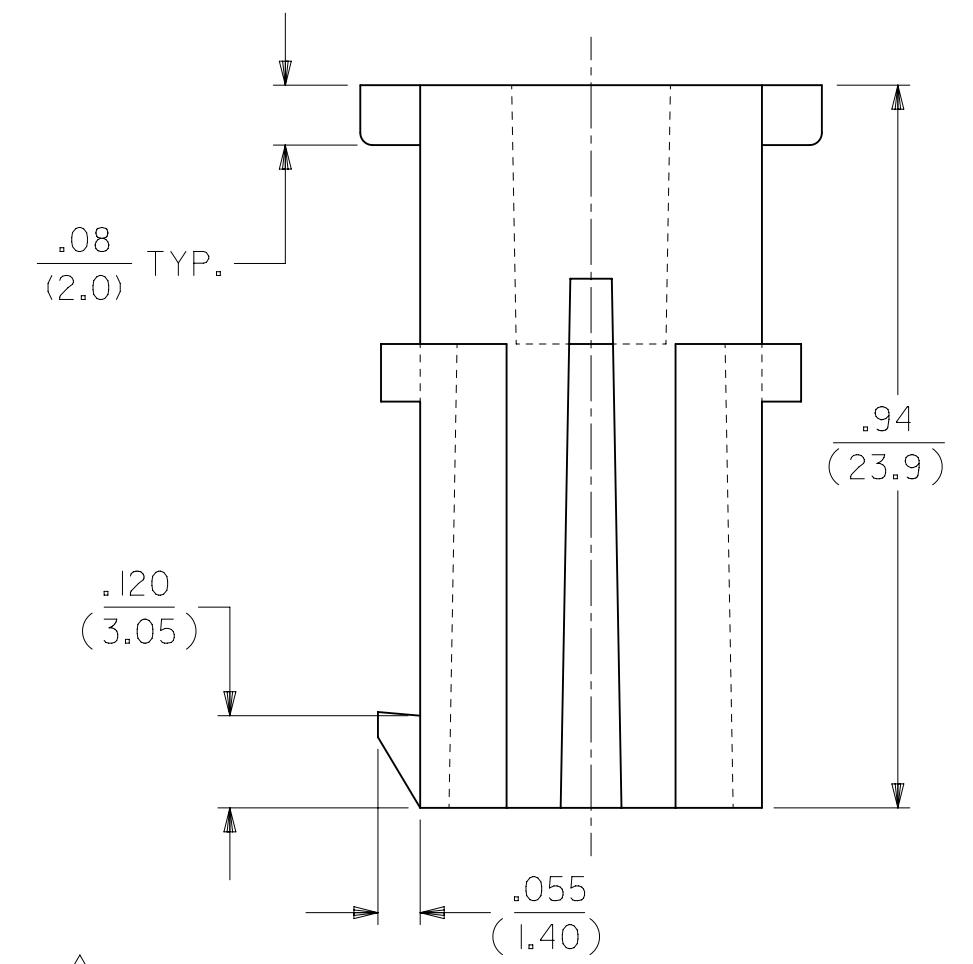
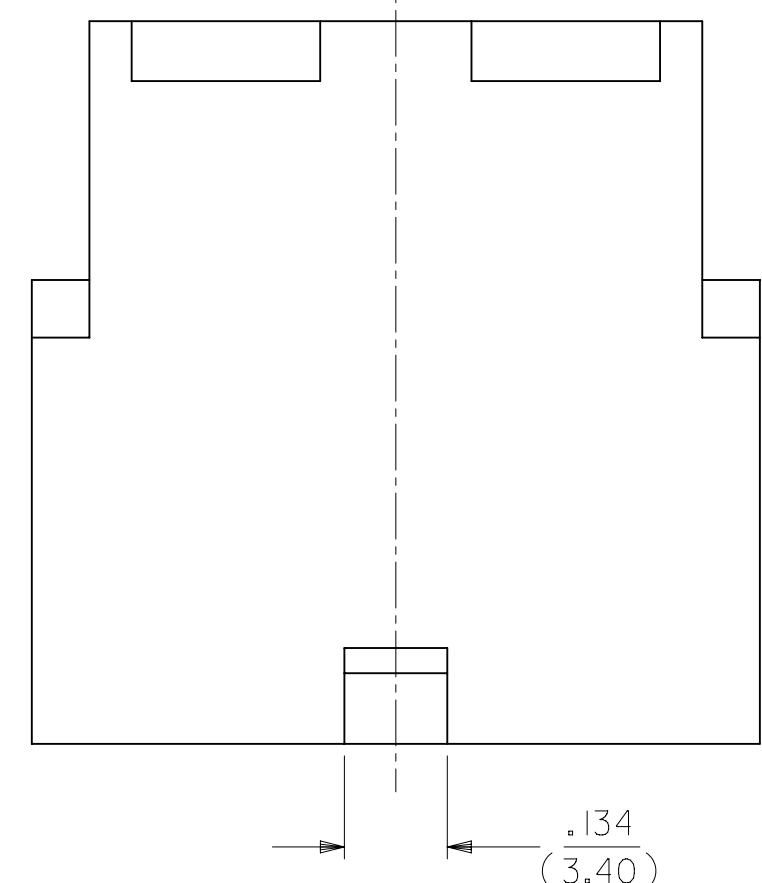
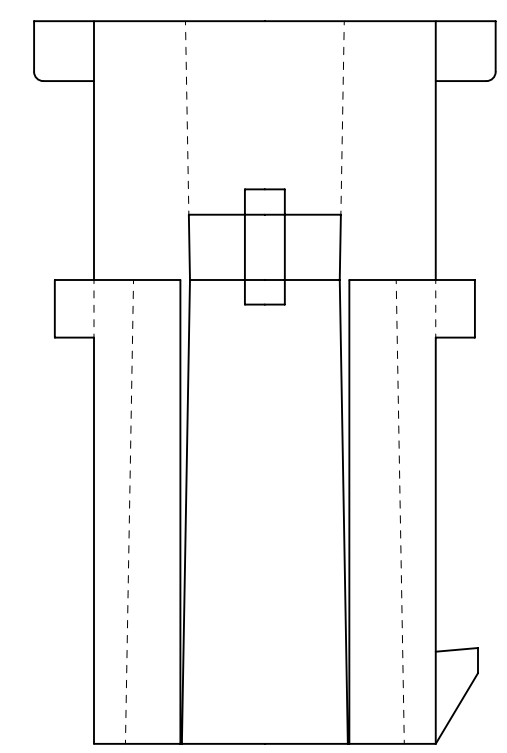
30068 - \*

CIRCUIT SIZE (2-16)



VIEW "A"

.04 (1.0) ON 6 & 16 CKT. PARTS ONLY.



SEE SHT. #3 FOR PARTS WITH MOUNTING EARS

SYMBOLS		THIS DRAWING CONTAINS INFORMATION THAT IS PROPRIETARY TO MOLEX ELECTRONIC TECHNOLOGIES, LLC AND SHOULD NOT BE USED WITHOUT WRITTEN PERMISSION		CURRENT REV DESC: FIX .445 DIM	
∇ = 0	IN/MM	SCALE	4:1	EC NO: 607490	
∇ = 0	GENERAL TOLERANCES (UNLESS SPECIFIED)		DRWN: JBAUMERT 2018/11/12		
∇ = 0			CHK'D: DSTEIER 2018/11/13		
S = 0	4 PLACES ±	MM	INCH	APPR: FSMITH 2018/11/14	
∇ = 0	3 PLACES ±			INITIAL REVISION:	
∇ = 0	2 PLACES ±			DRWN: DMF 1989/10/26	
∇ = 0	1 PLACE ±			APPR: FSMITH 2011/08/25	
∇ = 0	0 PLACES ±			THIRD ANGLE PROJECTION	
∇ = 0	ANGULAR TOL ± 0.5°			DRAWING SERIES	
∇ = 0	DRAFT WHERE APPLICABLE MUST REMAIN WITHIN DIMENSIONS		C-SIZE		30068
∇ = 0			MATERIAL NUMBER		SEE CHART
				CUSTOMER	
				GENERAL MARKET	
				SHEET NUMBER	
				1 OF 2	

4 CIRCUIT VERSION

THIS DRAWING REPLACES DRAWING SD-30068-\*

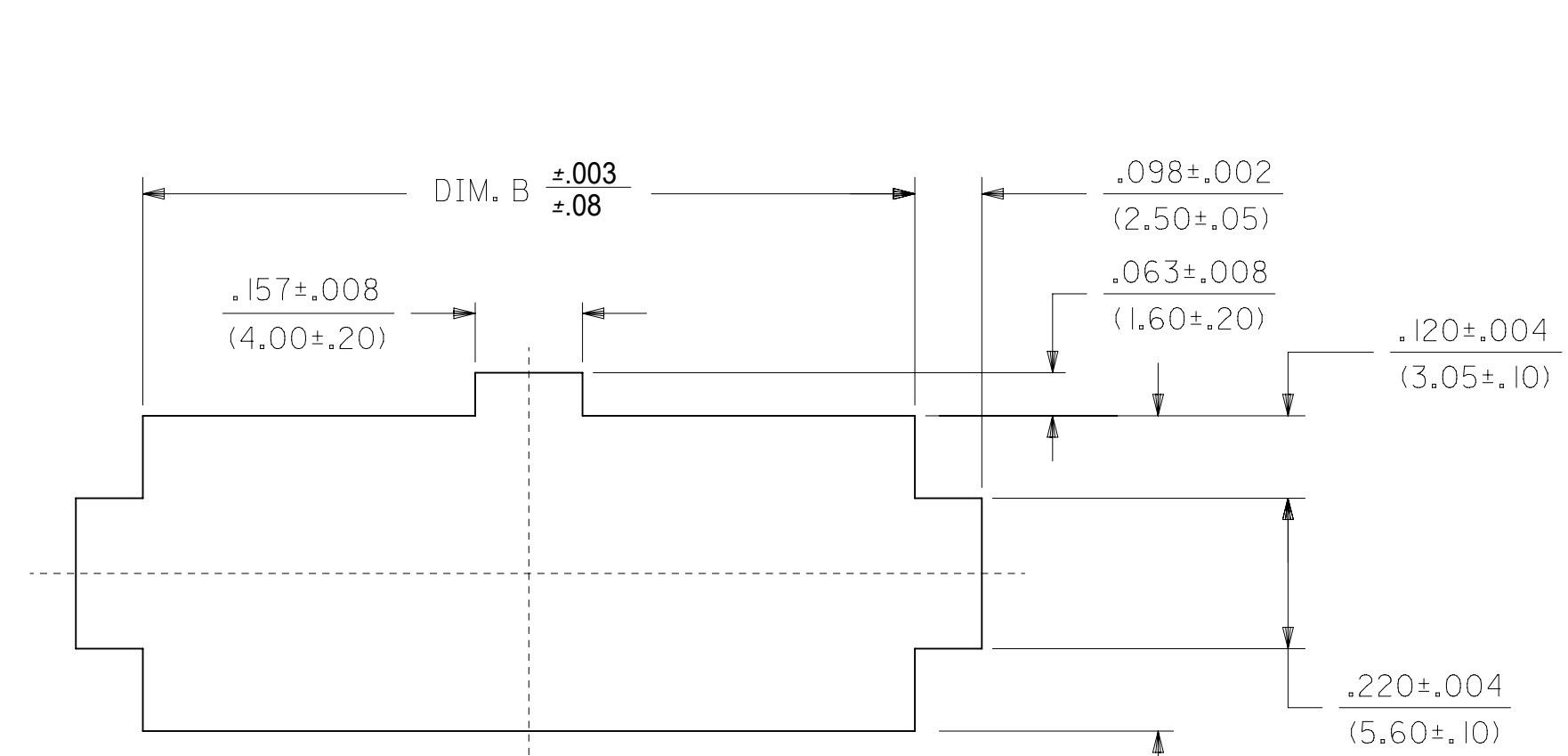
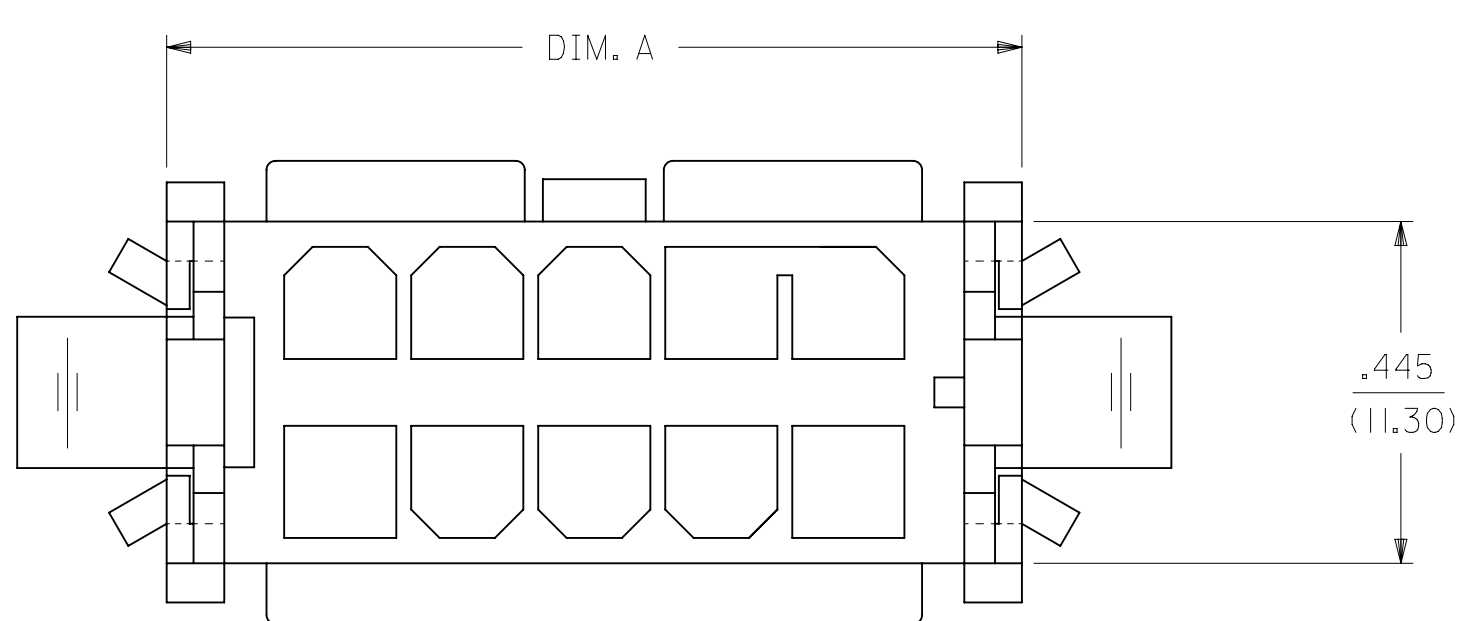
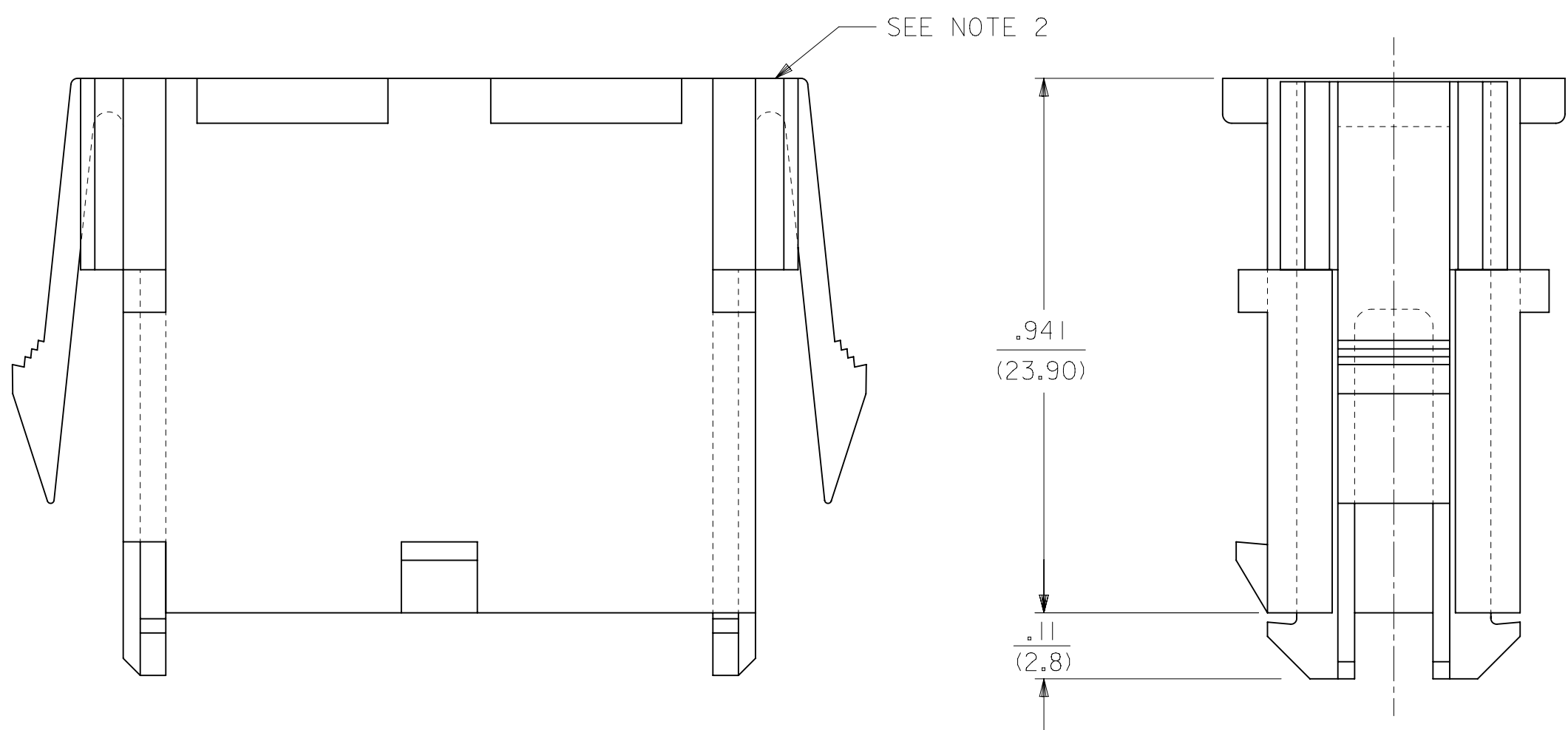
**molex**

MINI FIT TPA PLUG HSG  
2 THRU 16 CIRCUITS WITH OR W/O MTG EARS

PRODUCT CUSTOMER DRAWING

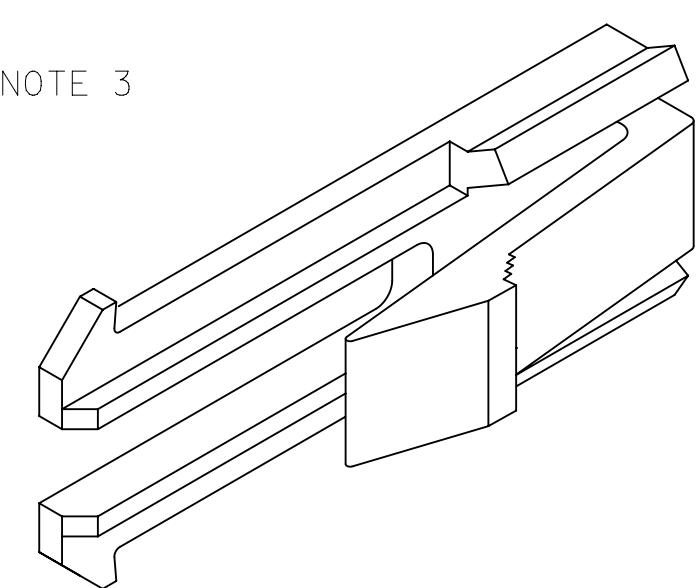
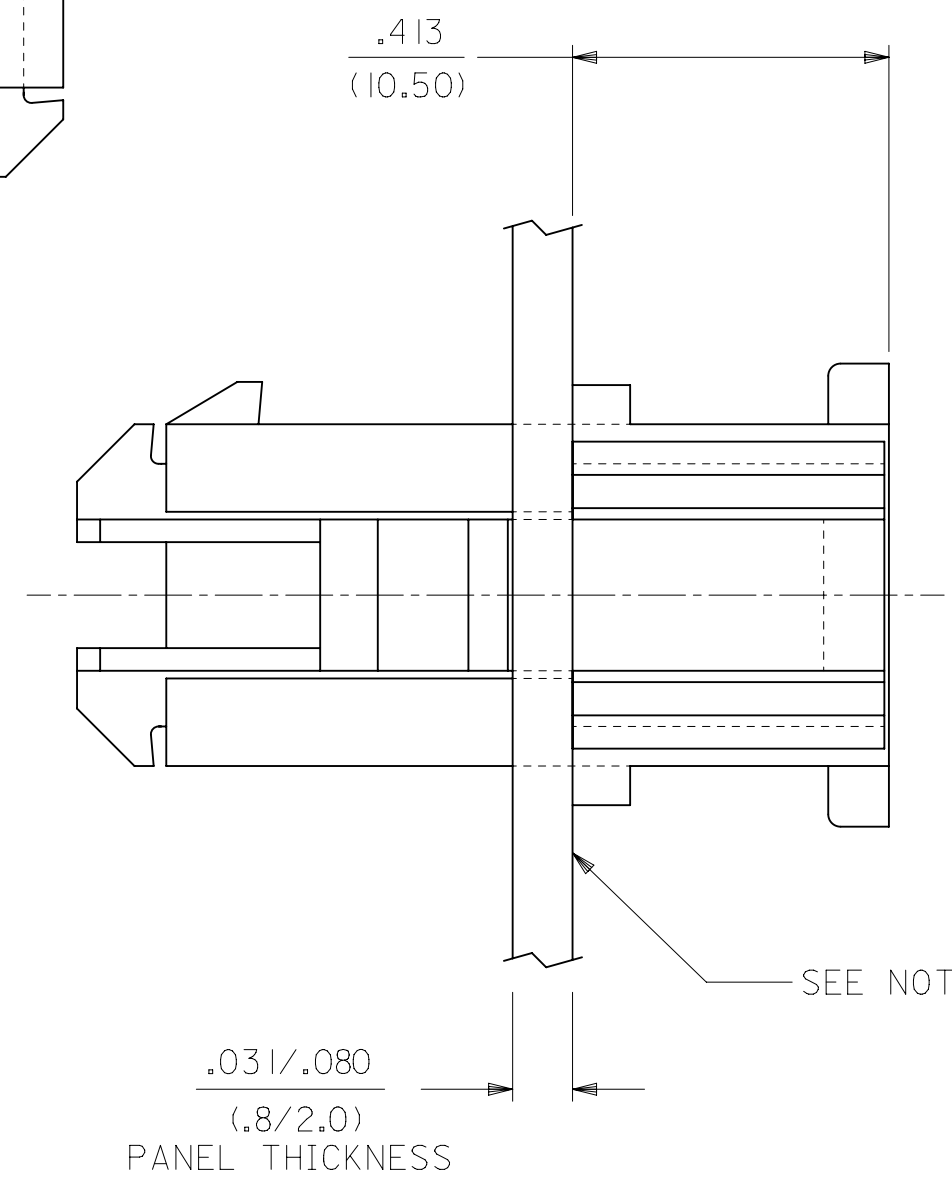
DOCUMENT NUMBER 300680000-SD DOC TYPE PSD DOC PART 000 REVISION A1

MATERIAL NUMBER SEE CHART CUSTOMER GENERAL MARKET SHEET NUMBER 1 OF 2



RECOMMENDED PANEL OPENING FOR USE WITH PLUGS WITH MOUNTING EARS.  
RECOMMENDED PANEL THICKNESS  
.031/(0.8) - .08/(2.0).

.461 ± .004  
(11.70 ± .10)



NUMBER OF CIRCUITS	DIM. A	DIM. B
2	.617 (15.67)	.634 (16.10)
4	.617 (15.67)	.634 (16.10)
6	.783 (19.89)	.799 (20.30)
8	.948 (24.08)	.965 (24.50)
10	1.113 (28.27)	1.130 (28.70)
12	1.279 (32.49)	1.295 (32.90)
14	1.444 (36.68)	1.461 (37.10)
16	1.609 (40.87)	1.626 (41.30)

- NOTES:**
- 1) MOUNTING EAR MATERIAL: UNFILLED POLYESTER, P.B.T., COLOR: BLACK.
  - 2) MOUNTING EARS TO BE INSERTED INTO SIDE SLOTS FROM BACK OF HOUSING.
  - 3) HOUSING ASSEMBLY TO BE INSERTED FROM PUNCH SIDE OF PANEL.
  - 4) REFER TO DRAWING **SD-43130-0001** MOUNTING EAR INFORMATION

THIS DRAWING CONTAINS INFORMATION THAT IS PROPRIETARY TO MOLEX ELECTRONIC TECHNOLOGIES, LLC AND SHOULD NOT BE USED WITHOUT WRITTEN PERMISSION															
<b>SYMBOLS</b>		DIMENSION UNITS		SCALE		CURRENT REV DESC: FIX .445 DIM									
= 0		IN/MM		4:1		<b>molex</b> MINI FIT TPA PLUG HSG 2 THRU 16 CIRCUITS WITH OR W/O MTG EARS PRODUCT CUSTOMER DRAWING									
= 0		GENERAL TOLERANCES (UNLESS SPECIFIED)										EC NO: 607490		2018/11/12	
= 0		MM		INCH								DRWN: JBAUMERT		2018/11/13	
= 0		± 0.25		± 0.014								CHK'D: DSTEIER		2018/11/14	
= 0		± 0.36		±		APPR: FSMITH		INITIAL REVISION:							
= 0		±		±		DRWN: DMF		1989/10/26							
= 0		± 0.5°		± 0.5°		APPR: FSMITH		2011/08/25							
= 0		DRAFT WHERE APPLICABLE MUST REMAIN WITHIN DIMENSIONS				THIRD ANGLE PROJECTION		DRAWING		SERIES					
= 0		C-SIZE		30068		MATERIAL NUMBER		CUSTOMER		SHEET NUMBER					
= 0		SEE CHART		GENERAL MARKET		300680000-SD		PSD 000		A1					