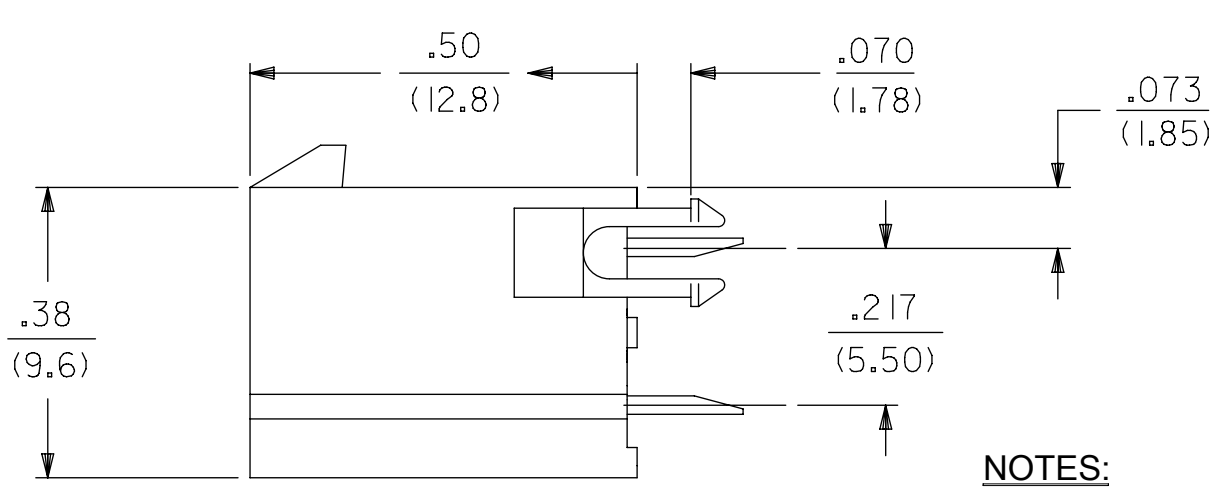
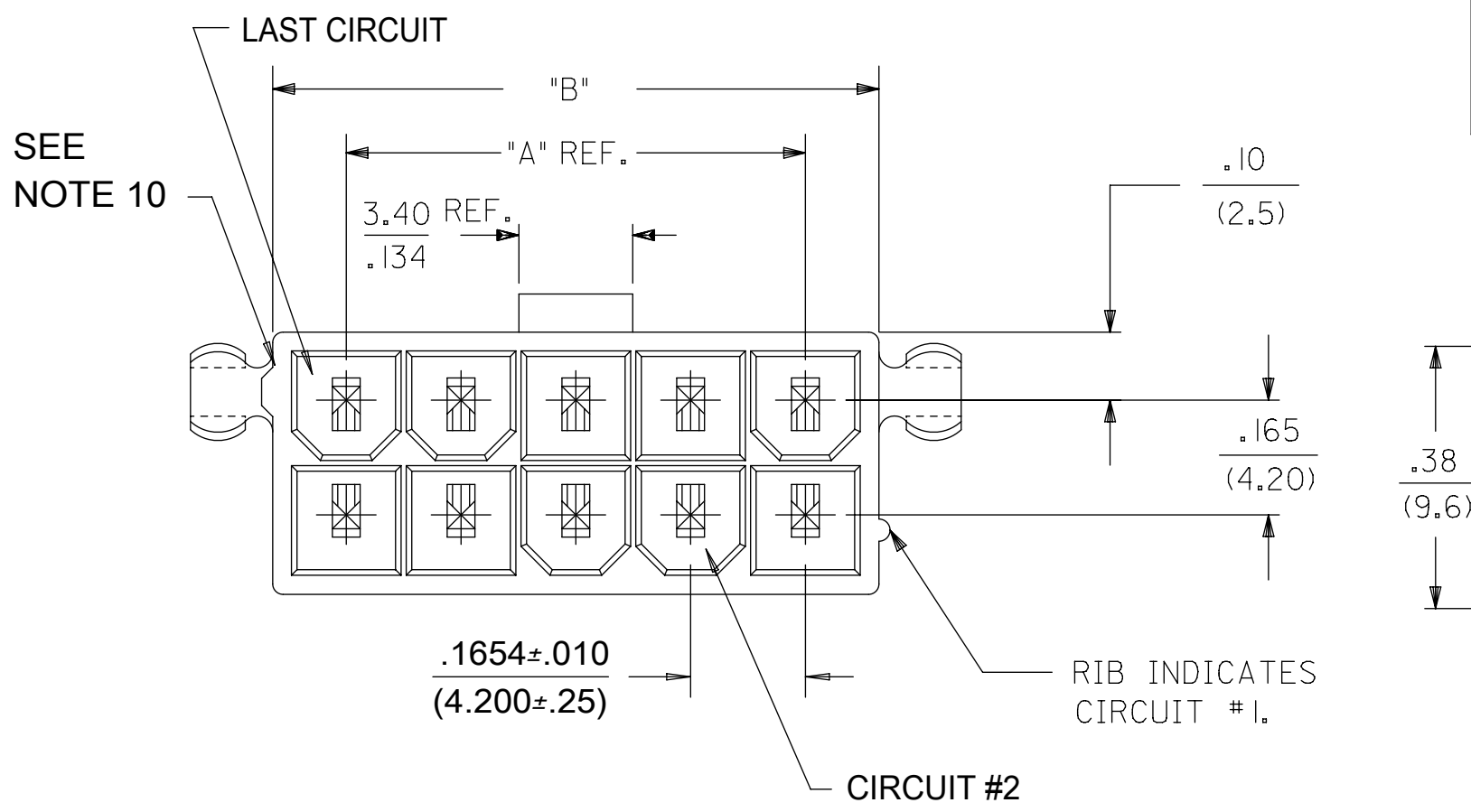
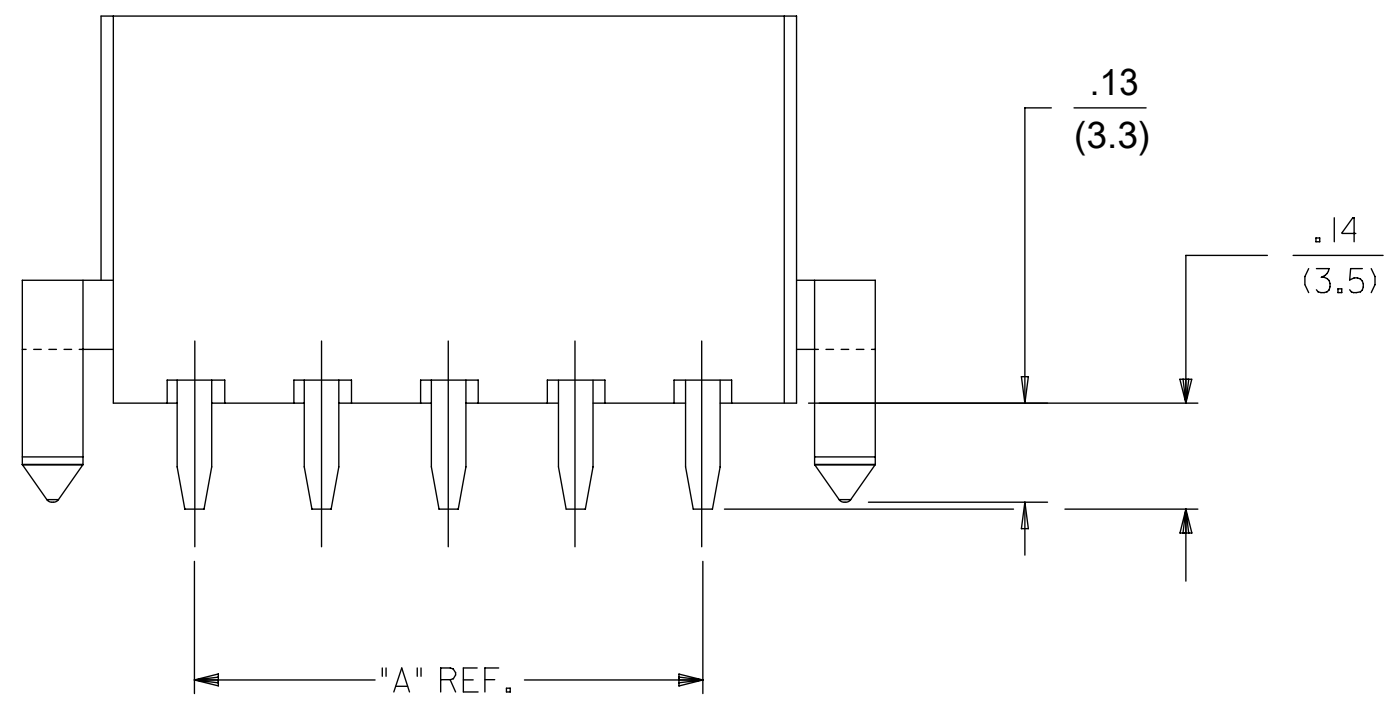


CIRCUIT SIZE	DIM. "A"	DIM. "B"	DIM. "C"
2	—	$\frac{.21}{(5.4)}$	$\frac{.370}{(9.40)}$
4	$\frac{.17}{(4.2)}$	$\frac{.38}{(9.6)}$	$\frac{.535}{(13.60)}$
6	$\frac{.33}{(8.4)}$	$\frac{.54}{(13.8)}$	$\frac{.701}{(17.80)}$
8	$\frac{.50}{(12.6)}$	$\frac{.71}{(18.0)}$	$\frac{.866}{(22.00)}$
10	$\frac{.66}{(16.8)}$	$\frac{.87}{(22.2)}$	$\frac{1.031}{(26.20)}$
12	$\frac{.83}{(21.0)}$	$\frac{1.04}{(26.4)}$	$\frac{1.197}{(30.40)}$
14	$\frac{.99}{(25.2)}$	$\frac{1.20}{(30.6)}$	$\frac{1.362}{(34.60)}$
16	$\frac{1.16}{(29.4)}$	$\frac{1.37}{(34.8)}$	$\frac{1.528}{(38.80)}$
18	$\frac{1.32}{(33.6)}$	$\frac{1.54}{(39.0)}$	$\frac{1.693}{(43.00)}$
20	$\frac{1.49}{(37.8)}$	$\frac{1.70}{(43.2)}$	$\frac{1.858}{(47.20)}$
22	$\frac{1.65}{(42.0)}$	$\frac{1.87}{(47.4)}$	$\frac{2.024}{(51.40)}$
24	$\frac{1.82}{(46.2)}$	$\frac{2.03}{(51.6)}$	$\frac{2.189}{(55.60)}$



- NOTES:
- HOUSING MATERIAL:
GW V-2 = NYLON UL94V-2, COLOR: BLACK
IEC 60335-1 5TH EDITION GLOW WIRE CAPABLE
TERMINAL MATERIAL: COPPER ALLOY.
 - TERMINAL PLATING:
TIN = .000100/(.00254) MIN. MATTE TIN OVER .000050/(.00127) MIN. NICKEL OVERALL
GOLD = .000030/(.00080) MIN. SELECT GOLD, .000100/(.00254) MIN. MATTE TIN OVER .000050/(.00127) MIN. NICKEL OVERALL
 - PRODUCT SPECIFICATION: PS-45750-001.
 - PACKAGING SPECIFICATION: PK-5566-001.
 - PART MATES WITH MINI-FIT JR. RECEPTACLE NO. 46992
 - PART IS NOT TO MATED OR UN-MATED WHILE CIRCUITS ARE LIVE.
 - PARTS TO HAVE "HCS+" MARKING.
 - PART CONFORMS TO CLASS B OF COSMETIC SPECIFICATION PS-45499-002 WITH THE EXCEPTION OF DISCOLORATION, FLASH, AND SINK MEET CLASS "C" REQUIREMENTS.
 - PART IS NOT DESIGNED FOR CURRENT SHARING.
 - ANTI-SHINGLING RIB MAY OR MAY NOT APPEAR ON HOUSINGS.
- $\triangle 11$ LOCATION OF .118/3.00 DIAMETER HOLES ON P.C. BOARD IS FOR OPTIONAL PEGS.



THIS DRAWING CONTAINS INFORMATION THAT IS PROPRIETARY TO MOLEX ELECTRONIC TECHNOLOGIES, LLC AND SHOULD NOT BE USED WITHOUT WRITTEN PERMISSION

QUALITY SYMBOLS	ADD NO PEG PINS EC NO: 109830 DRWN: CSLAFTER CHKD: JBELL REV APPR: FSMITH	GENERAL TOLERANCES (UNLESS SPECIFIED)		DIMENSION UNITS	SCALE	
		MM	INCH	IN/MM	4:1	
$\nabla = 0$	2016/10/27 2016/11/09 2016/11/23	4 PLACES \pm \pm		DRWN BY	DATE	VERTICAL HEADER ASSEMBLY DUAL ROW GLOW WIRE MINI-FIT PLUS HCS SERIES
$\nabla = 0$		3 PLACES \pm ± 0.01		JDFOX	2014/05/15	
$\nabla = 0$		2 PLACES ± 0.25 ± 0.02		CHK'D BY	DATE	
$\blacktriangledown = 0$		1 PLACES ± 0.5 \pm		JBELL	2014/05/19	
$\nabla = 0$		0 PLACES \pm \pm		APPR BY	DATE	
$\square = 0$		ANGULAR TOL = 0.5		FSMITH	2014/06/23	
$\blacksquare = 0$	DRAFT WHERE APPLICABLE MUST REMAIN WITHIN DIMENSIONS		DRAWING SIZE	THIRD ANGLE PROJECTION	PRODUCT CUSTOMER DRAWING SERIES: 172675 MATERIAL NUMBER: SEE TABLE CUSTOMER: GENERAL MARKET	
$\nabla = 0$			C			
RELEASE STATUS		RELEASE DATE		DOCUMENT NUMBER: SD-172675-0000		DOC TYPE: PSD
				DOC PART: 000		SHEET NUMBER: 1 OF 2

ITEM NO.	CKT SIZE	HOUSING MATERIAL	PEGS	PLATING
172675-0213	2	GW V-2	YES	TIN
172675-0214		GW V-2	YES	GOLD
172675-0413	4	GW V-2	YES	TIN
172675-0414		GW V-2	YES	GOLD
172675-0613	6	GW V-2	YES	TIN
172675-0614		GW V-2	YES	GOLD
172675-0813	8	GW V-2	YES	TIN
172675-0814		GW V-2	YES	GOLD
172675-1013	10	GW V-2	YES	TIN
172675-1014		GW V-2	YES	GOLD
172675-1213	12	GW V-2	YES	TIN
172675-1214		GW V-2	YES	GOLD

ITEM NO.	CKT SIZE	HOUSING MATERIAL	PEGS	PLATING
172675-0215	2	GW V-2	NO	TIN
172675-0216		GW V-2	NO	GOLD
172675-0415	4	GW V-2	NO	TIN
172675-0416		GW V-2	NO	GOLD
172675-0615	6	GW V-2	NO	TIN
172675-0616		GW V-2	NO	GOLD
172675-0815	8	GW V-2	NO	TIN
172675-0816		GW V-2	NO	GOLD
172675-1015	10	GW V-2	NO	TIN
172675-1016		GW V-2	NO	GOLD
172675-1215	12	GW V-2	NO	TIN
172675-1216		GW V-2	NO	GOLD

QUALITY SYMBOLS 		THIS DRAWING CONTAINS INFORMATION THAT IS PROPRIETARY TO MOLEX ELECTRONIC TECHNOLOGIES, LLC AND SHOULD NOT BE USED WITHOUT WRITTEN PERMISSION		ADD NO PEG PINS EC NO: 109830 DRWN: CSLAFTER CHKD: JBELL REV APPR: FSMITH		2016/10/27 2016/11/09 2016/11/23		GENERAL TOLERANCES (UNLESS SPECIFIED) <table border="1"> <tr> <th></th> <th>MM</th> <th>INCH</th> </tr> <tr> <td>4 PLACES</td> <td>±</td> <td>±</td> </tr> <tr> <td>3 PLACES</td> <td>±</td> <td>± 0.01</td> </tr> <tr> <td>2 PLACES</td> <td>± 0.25</td> <td>± 0.02</td> </tr> <tr> <td>1 PLACES</td> <td>± 0.5</td> <td>±</td> </tr> <tr> <td>0 PLACES</td> <td>±</td> <td>±</td> </tr> </table>			MM	INCH	4 PLACES	±	±	3 PLACES	±	± 0.01	2 PLACES	± 0.25	± 0.02	1 PLACES	± 0.5	±	0 PLACES	±	±	DIMENSION UNITS IN/MM		SCALE			
	MM	INCH																															
4 PLACES	±	±																															
3 PLACES	±	± 0.01																															
2 PLACES	± 0.25	± 0.02																															
1 PLACES	± 0.5	±																															
0 PLACES	±	±																															
DRWN BY JDFOX		DATE 2014/05/15		DRWN BY JDFOX		DATE 2014/05/15																											
APPR BY FSMITH		DATE 2014/06/23		CHK'D BY JBELL		DATE 2014/05/19		PRODUCT CUSTOMER DRAWING																									
ANGULAR TOL = 0.5		DRAFT WHERE APPLICABLE MUST REMAIN WITHIN DIMENSIONS		DRAWING SIZE C		THIRD ANGLE PROJECTION 		SERIES 172675																									
MATERIAL NUMBER SEE TABLE		CUSTOMER GENERAL MARKET		DOCUMENT NUMBER SD-172675-0000		DOC TYPE PSD		DOC PART 000																									
SHEET NUMBER 2 OF 2																																	