

THE INFORMATION CONTAINED HEREIN IS CONSIDERED "PROPRIETARY" TO BEL FUSE INC. AND SHALL NOT BE COPIED, REPRODUCED OR DISCLOSED WITHOUT THE WRITTEN APPROVAL OF BEL FUSE INC.



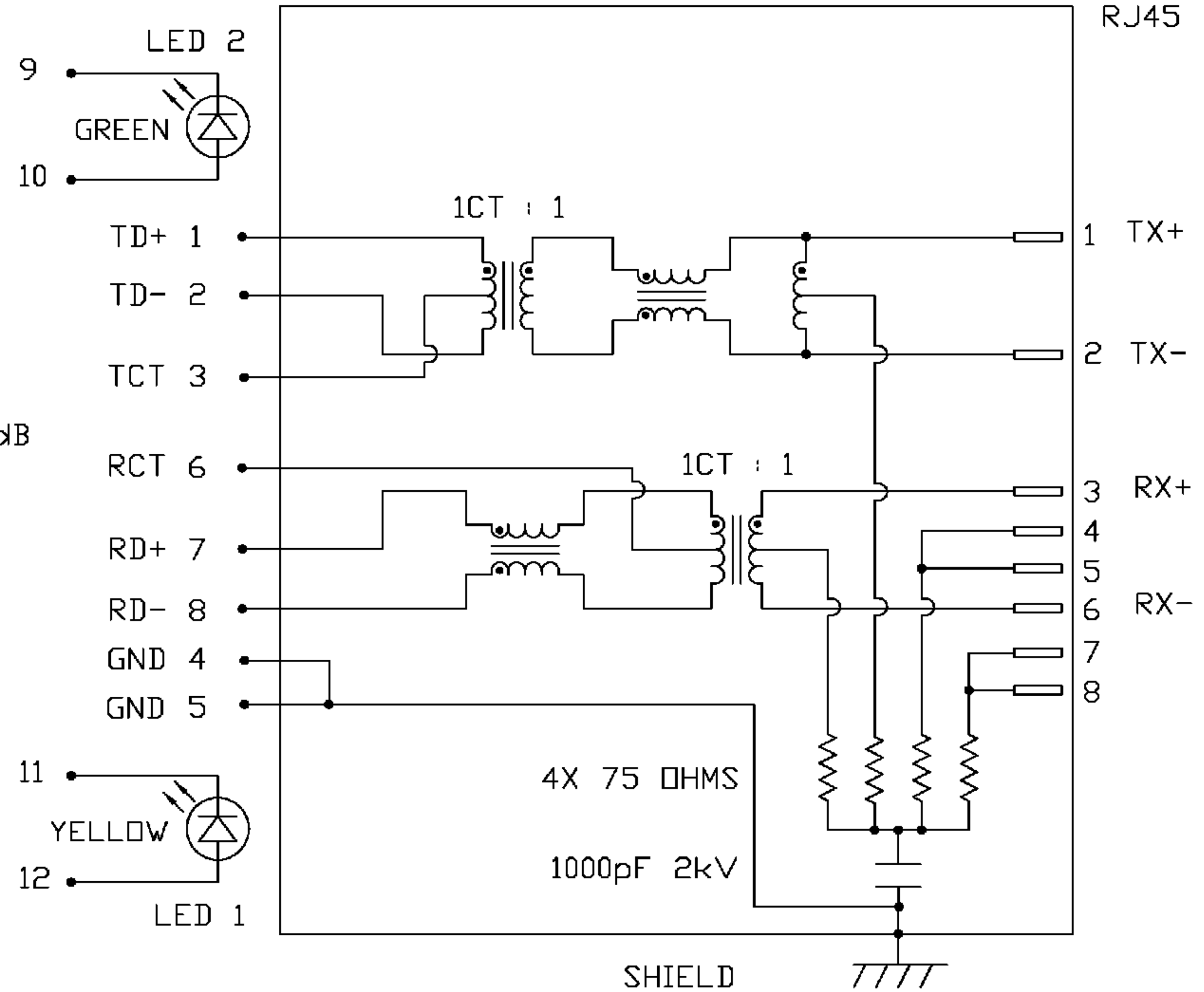
LED1 POLARITY			LED2 POLARITY		
PIN 11	PIN 12	COLOR	PIN 9	PIN 10	COLOR
-	+	YELLOW	-	+	GREEN

ELECTRICAL CHARACTERISTICS @ 25°C

URNS RATIO

TX	1CT : 1
RX	1CT : 1
DCL @ 100kHz/100mVRMS	350µH MIN
8mA DC BIAS	-1.1 dB MAX
INS. LOSS	
1MHz TO 100MHz	-18 dB
RET. LOSS (MIN)	
1MHz-30MHz	-18+20LOG(F/30MHz) dB
30MHz-60MHz	-12 dB
60MHz-80MHz	
CROSS TALK (TX - RX)	
500kHz - 100 MHz	-30 dB MIN
CM TO CM REJ	
100kHz - 100 MHz	-30 dB MIN
CM TO DM REJ	
100kHz - 100 MHz	-40 dB MIN
HIPOT (Isolation Voltage):	1500 Vrms

LED 1			
VF (FORWARD VOLTAGE)	IF=20mA	YELLOW	2.1V TYP.
λD (DOMINANT WAVELENGTH)	IF=20mA	YELLOW	590nm TYP.
LED 2			
VF (FORWARD VOLTAGE)	IF=20mA	GREEN	2.2V TYP.
λD (DOMINANT WAVELENGTH)	IF=20mA	GREEN	565nm TYP.



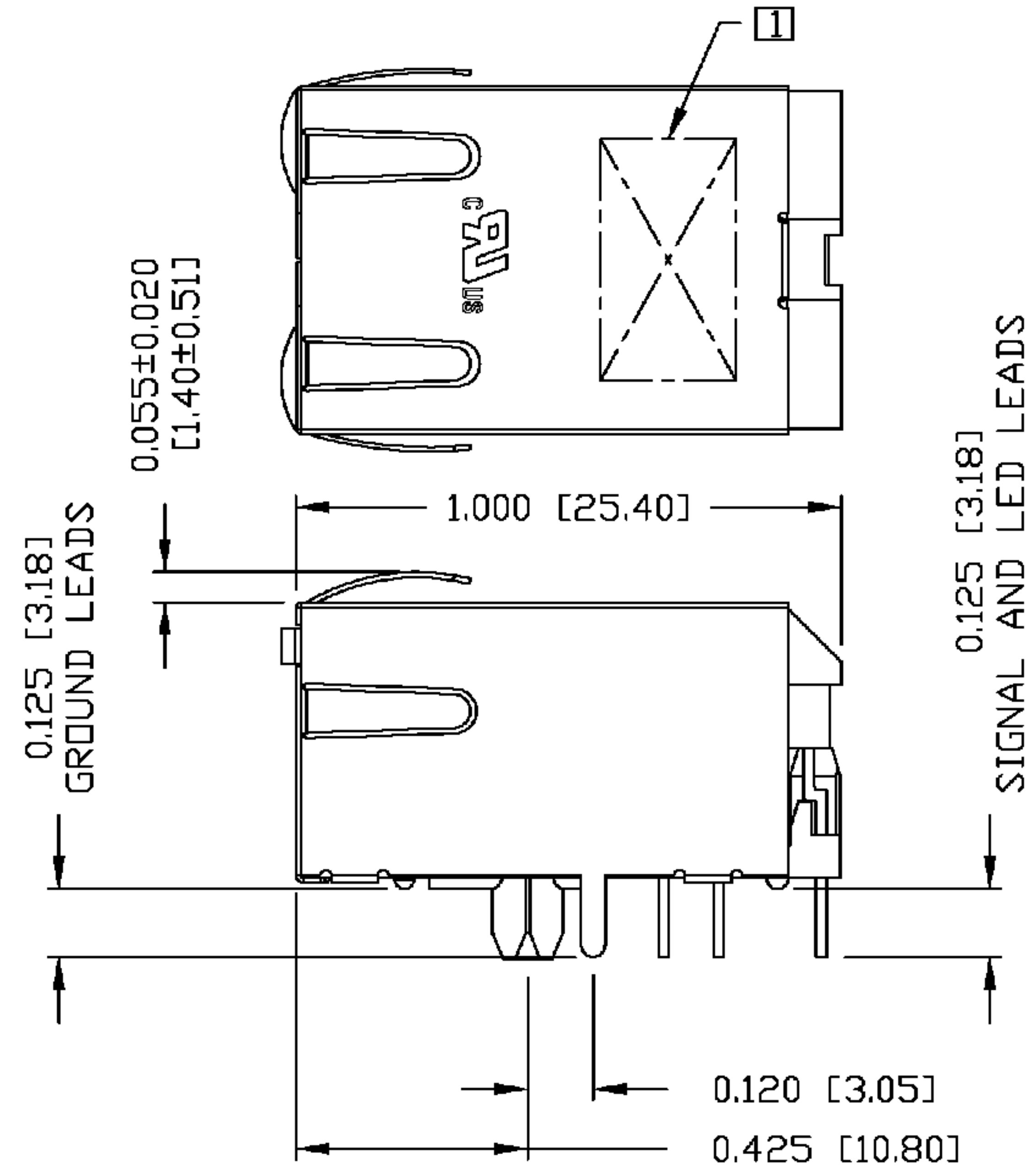
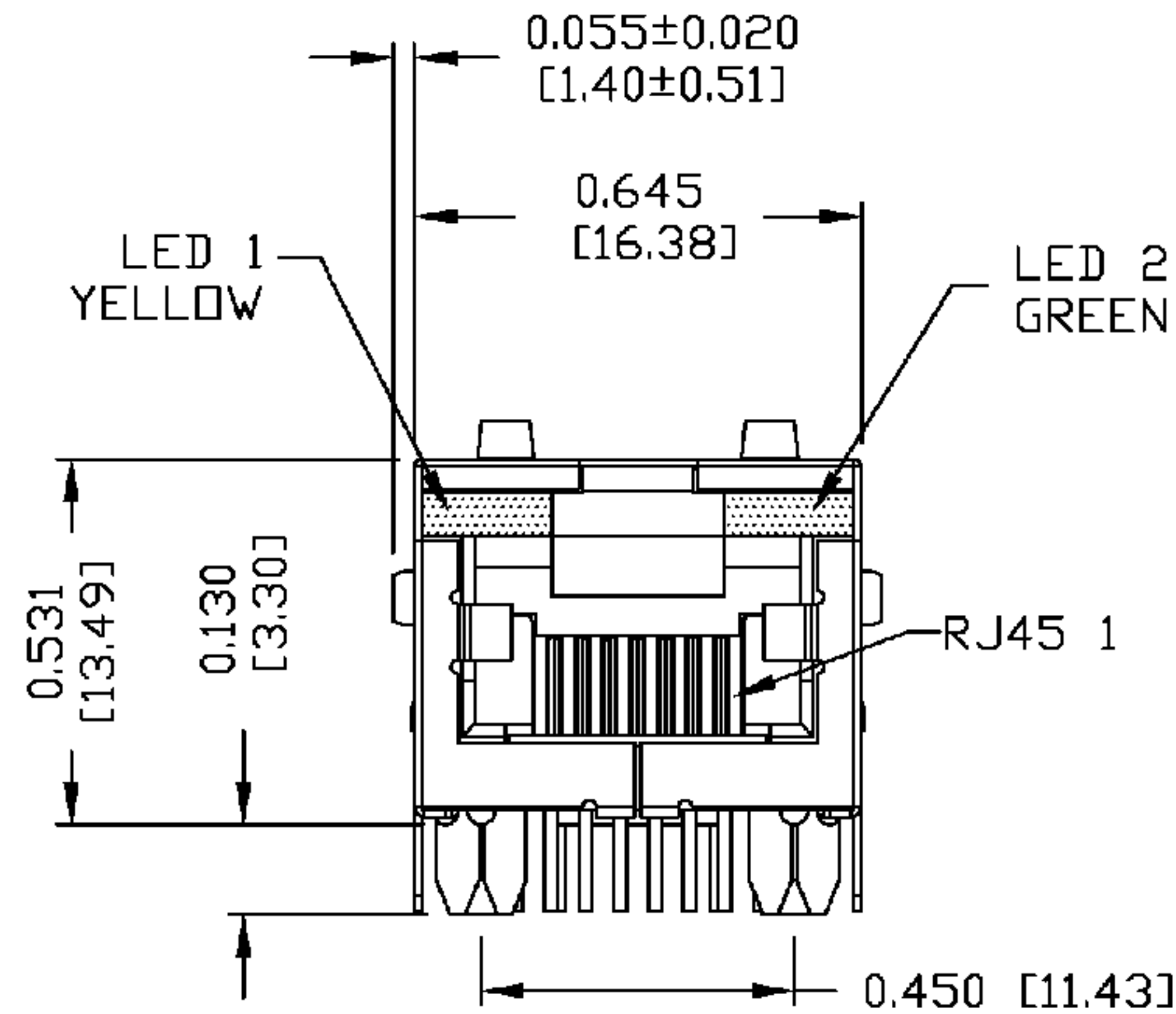
ORIGINATED BY	DATE	TITLE	PART NO. / DRAWING NO.	STANDARD DIM. TOL. IN INCH	[] METRIC DIM. AS REFERENCE
CHUNG	12-20-05	staggered pin MagJack® (5 cores)	08171A1T11-F	.X	UNIT : INCH [mm] REV. : B
DRAWN BY	DATE		FILE NAME	.XX	SCALE : N/A SIZE : A4
DE	12-20-05	0817-1A1T-11-F	08171A1T11-FB.DWG	.XXX	PAGE : 2



THE INFORMATION CONTAINED HEREIN IS CONSIDERED "PROPRIETARY" TO BEL FUSE INC. AND SHALL NOT BE COPIED, REPRODUCED OR DISCLOSED WITHOUT THE WRITTEN APPROVAL OF BEL FUSE INC.



MECHANICAL SPECIFICATION



NOTES:

- PLASTIC HOUSING: THERMOPLASTIC PBT
FLAMMABILITY RATING UL 94V-0
- CONTACT PLATING: 50 MICRO-INCH HARD GOLD PLATING
- PINS: TIN-COATED COPPER WIRE, DIA 0.018 INCH.
- METAL SHIELD: NICKEL PLATED ON COPPER ALLOY.
(ALL NICKEL PLATED GROUND LEADS ARE SOLDER DIPPED)

[1] MARK PART WITH MFG LOGO, MFG NAME, PART NUMBER, AND DATE CODE.

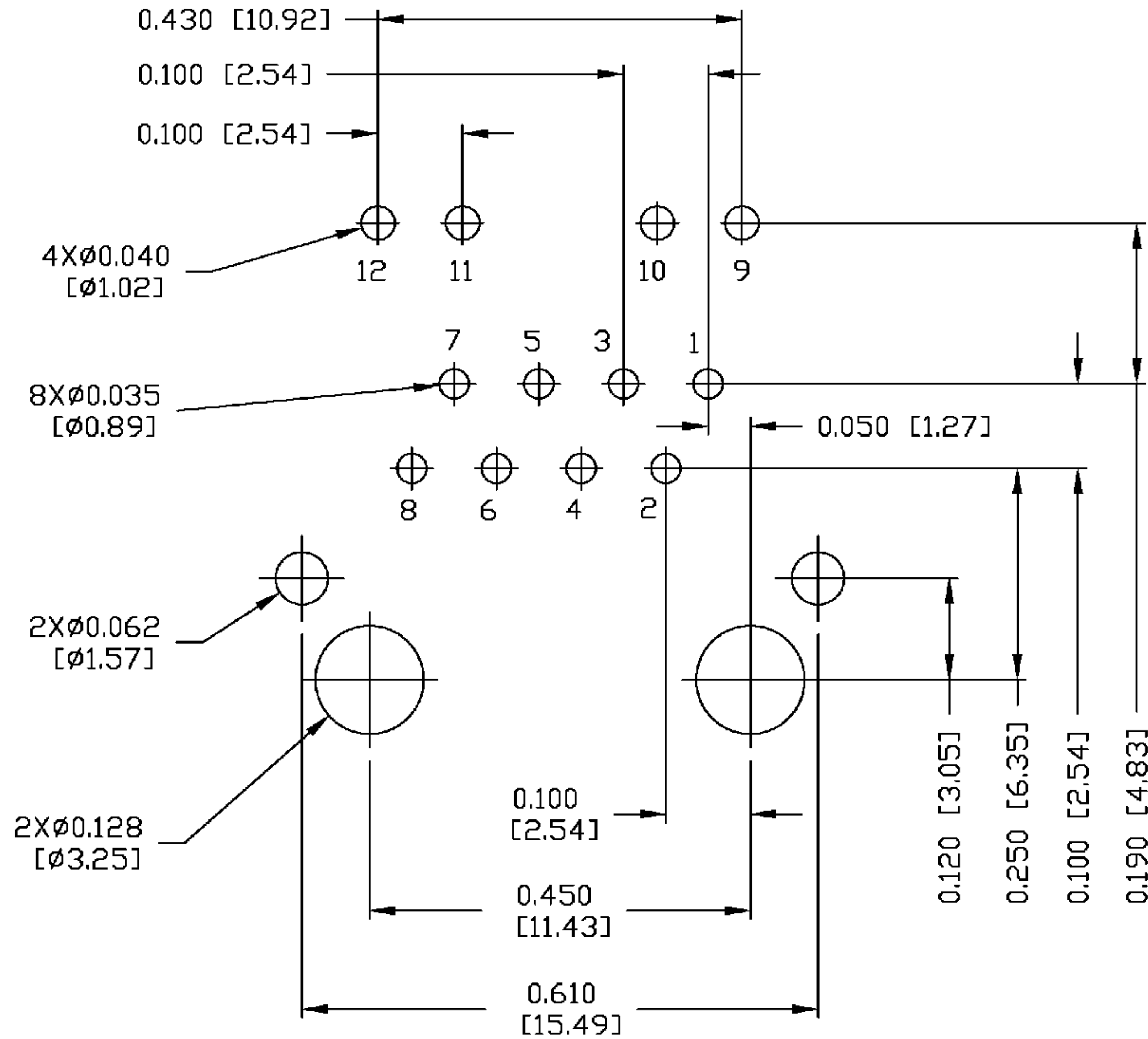
UL RECOGNIZED - FILE #E196366 AND E169987.
ROHS COMPLIANCE, PER EU DIRECTIVE 2002/95/EC

ORIGINATED BY SARAH	DATE 12-20-05	TITLE staggered pin MagJack® (5 cores) 0817-1A1T-11-F	PART NO. / DRAWING NO. 08171A1T11-F	STANDARD DIM. TOL. IN INCH		[] METRIC DIM. AS REFERENCE		 COMPONENTS FOR A CONNECTED PLANET
	DRAWN BY TING			DATE 12-20-05	FILE NAME 08171A1T11-FB.DWG	.X		
				.XX		SCALE : N/A	SIZE : A4	
				.XXX	±0.010		PAGE : 3	

THE INFORMATION CONTAINED HEREIN IS CONSIDERED "PROPRIETARY" TO BEL FUSE INC. AND SHALL NOT BE COPIED, REPRODUCED OR DISCLOSED WITHOUT THE WRITTEN APPROVAL OF BEL FUSE INC.



RECOMMENDED PCB FOOTPRINT



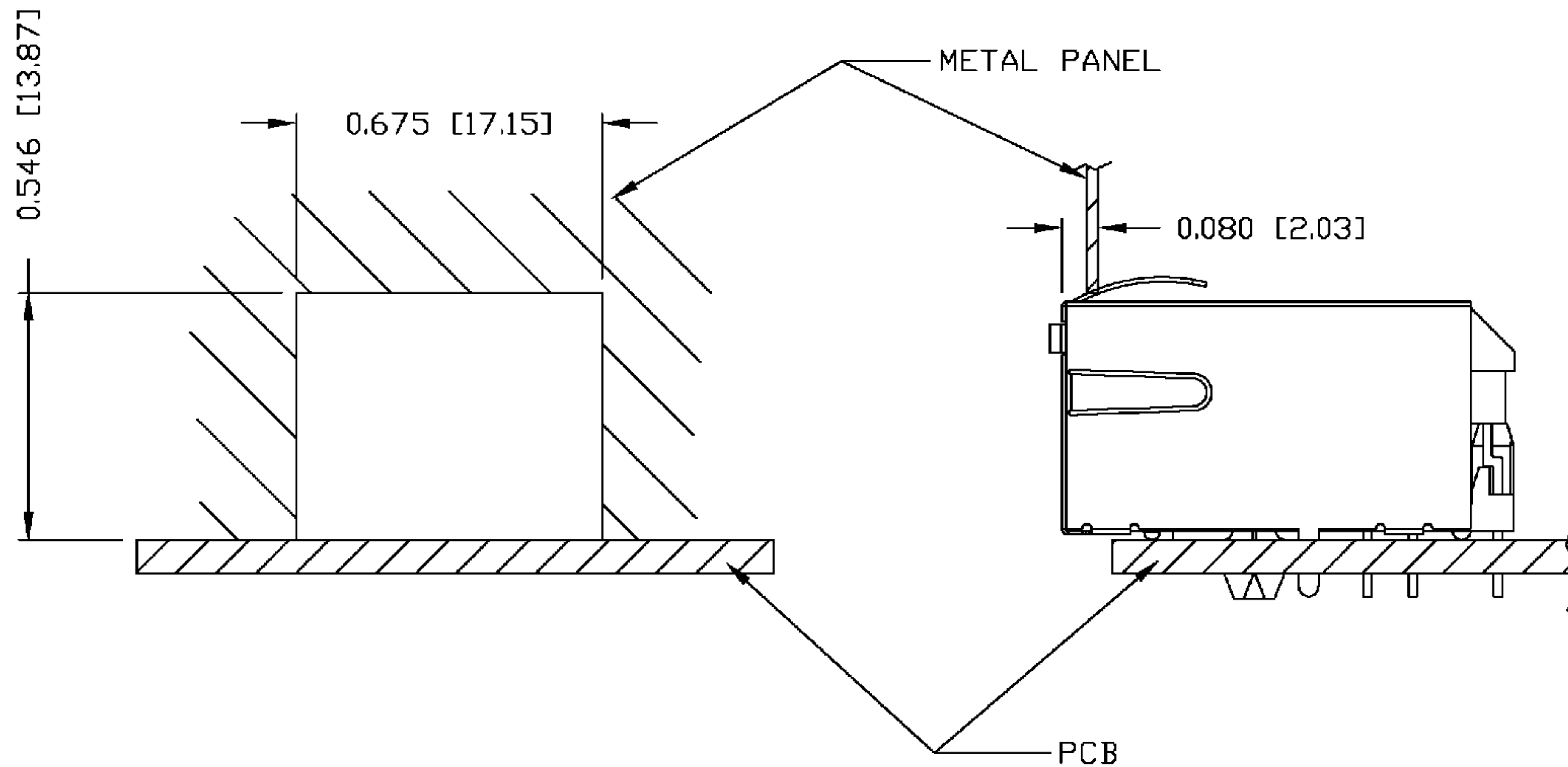
ORIGINATED BY SARAH	DATE 12-20-05	TITLE staggered pin MagJack® (5 cores) 0817-1A1T-11-F	PART NO. / DRAWING NO. 08171A1T11-F	STANDARD DIM. TOL. IN INCH	[] METRIC DIM. AS REFERENCE			
	DRAWN BY TING		DATE 12-20-05	FILE NAME 08171A1T11-FB.DWG	.X .XX .XXX	±0.004	UNIT : INCH [mm]	REV. : B



THE INFORMATION CONTAINED HEREIN IS CONSIDERED "PROPRIETARY" TO BEL FUSE INC. AND SHALL NOT BE COPIED, REPRODUCED OR DISCLOSED WITHOUT THE WRITTEN APPROVAL OF BEL FUSE INC.



SUGGESTED PANEL OPENING



NOTE :

THE DISTANCE OF PANEL INSIDE SURFACE RELATIVE TO FRONT SURFACE OF PART IS ONLY A SUGGESTION. IN CASE THIS DISTANCE IS DIFFERENT, THE REQUIRED PANEL OPENING DIMENSIONS CHANGE ACCORDINGLY.

PACKING INFORMATION

PACKING TRAY : 0200-9999-A2

PACKING QUANTITY : 60 PCS FINISHED GOODS PER TRAY

11 TRAYS (660 PCS FINISHED GOODS) PER CARTON BOX

NOTE : CARDBOARDS ARE PLACED BETWEEN LAYERS OF PACKING TRAY INSIDE CARTON BOX (INCLUDE THE UPPERMOST AND LOWERMOST TRAY)

ORIGINATED BY SARAH	DATE 12-20-05	TITLE staggered pin MagJack® (5 cores) 0817-1A1T-11-F	PART NO. / DRAWING NO. 08171A1T11-F	STANDARD DIM. TOL. IN INCH	[] METRIC DIM. AS REFERENCE	 COMPONENTS FOR A CONNECTED PLANET	
	DRAWN BY TING		DATE 12-20-05	FILE NAME 08171A1T11-FB.DWG	.X		UNIT : INCH [mm]
				.XX	SCALE : N/A		SIZE : A4
				.XXX ±0.004			PAGE : 5