

**PROPER USE GUIDELINES**

Cumulative Trauma Disorders can result from the prolonged use of manually powered hand tools. Hand tools are intended for occasional use and low volume applications. A wide selection of powered application equipment for extended-use, production operations is available.

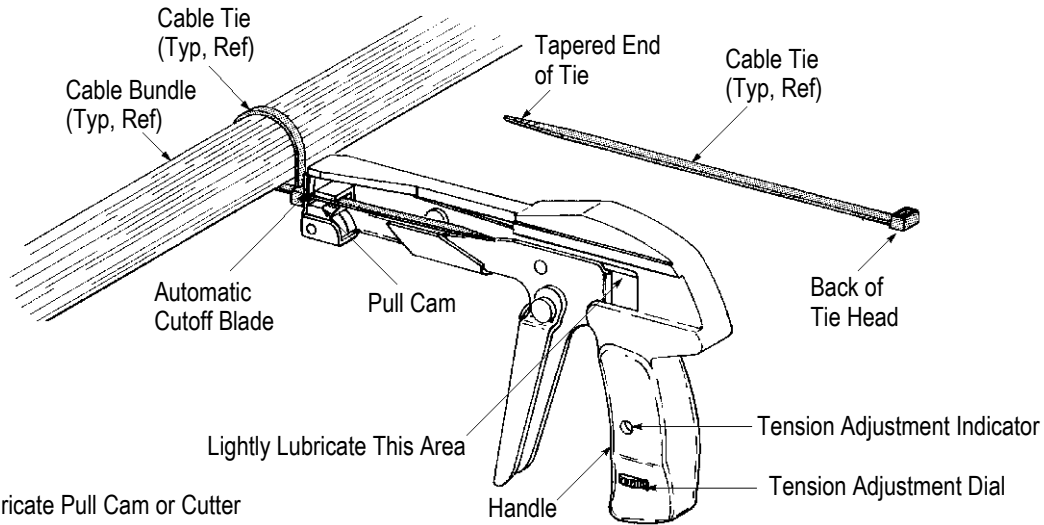


Figure 1

**1. INTRODUCTION**

Cable Tie Installation Tool 734587-1 shown in Figure 1 is used to apply the cable ties listed in Figure 2. Read these instructions thoroughly before installing cable ties.

**i NOTE**  
All numerical values in this instruction sheet are in metric units [with U.S. customary units in brackets]. Dimensions are in millimeters [and inches]. Figures are not drawn to scale.

Reasons for reissue of this instruction sheet are provided in Section 6, REVISION SUMMARY.

**2. DESCRIPTION**

This tool features an incremental tension adjustment indicator, a tension adjustment dial, and an automatic cut-off blade.

The tension adjustment dial regulates the amount of tension applied to the cable tie before the tie is cut. The adjustment is made by turning the tension adjustment dial until the adjustment indicator displays the desired setting.

**i NOTE**  
The higher numerical settings indicate a greater tension placed on the cable tie.

**3. APPLICATION PROCEDURE**

1. Determine the diameter of the cable bundle, and select the proper cable tie from Figure 2.
2. Turn the tension adjustment dial to the desired setting.
3. Loop the cable tie around the cable bundle and insert the tapered end of the tie through the back of the tie head. Refer to Figure 1.
4. Pull the cable tie through until snug.
5. Insert the cable tie into the tool gripper slot and squeeze the handle completely. The tool will tighten the tie and automatically cut the excess once the pre-set tension is reached.

CABLE BUNDLE DIAMETER		CABLE TIE			TOOL TENSION SETTING RANGE	
MINIMUM	MAXIMUM	LENGTH	PART NUMBER	TENSILE VALUE [LB]		
1.5 [.06]	19.1 [.75]	108.0 [4.25]	603230	18	0-1	
			603231			
		101.6 [4.00]	604771			
			608701			
	31.8 [1.25]	203.2 [8.00]	608687	30	1-2	
		152.4 [6.00]	603227			
	50.8 [2.00]	158.8 [6.25]	608687	40		
	76.2 [3.00]	215.9 [8.50]	604476			
	101.6 [4.00]	19.1 [.75]●	292.1 [11.50]	608688	50	2-3
		35.1 [1.38]	209.6 [8.25]	608698		
		38.1 [1.50]●	165.1 [6.50]	608692		
		44.5 [1.75]	304.8 [12.00]	608699		
			203.2 [8.00]	608702		
				608704		
		608789				
		50.8 [2.00]	393.7 [15.50]	608700		
		76.2 [3.00]	298.5 [11.75]	604751		
		101.6 [4.00]	381.0 [15.00]	608703		
	393.7 [15.50]		604774			
	406.4 [16.00]		608695			
412.8 [16.25]	608696					

●Using two cable bundles, each of this diameter.

Figure 2

If the tension on the cable tie is not as originally desired, re-adjust the tool as required.



**CAUTION**

Exercise care when adjusting the tension. DO NOT turn the adjustment past the zero setting; otherwise, damage to the tool may result.

**4. MAINTENANCE AND INSPECTION**

The tool should be inspected immediately upon arrival in your facility, and at regularly scheduled intervals, to ensure that the tool has not been damaged. Lubricate the tool as indicated in Figure 1.

**5. REPLACEMENT AND REPAIR**

Spare parts kits are available for this tool:

- Service Kit 523153-7 (consists of the cutting blade and three internal springs)
- Spring Kit 3-519529-9 (consists of the cable tension spring and its mount)

If the tool becomes damaged, it must be replaced. Additional tools can be purchased through your TE Representative, or call 1-800-526-5142, or send a facsimile of your purchase order to 717-986-7605 or write to:

CUSTOMER SERVICE (038-035)  
 TYCO ELECTRONICS CORPORATION  
 PO BOX 3608  
 HARRISBURG PA 17105-3608

**6. REVISION SUMMARY**

- Updated document to corporate requirements
- Updated logo