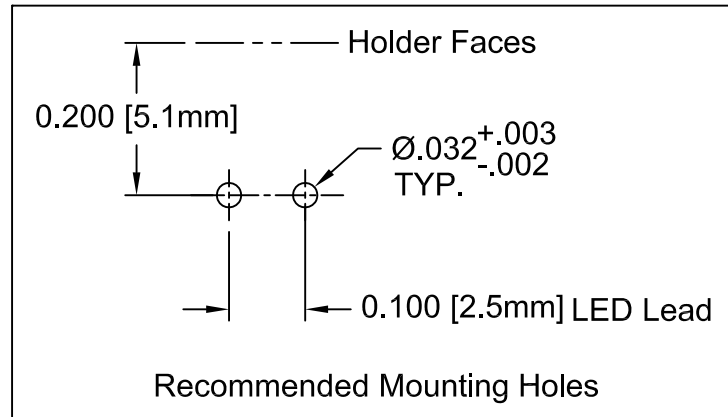
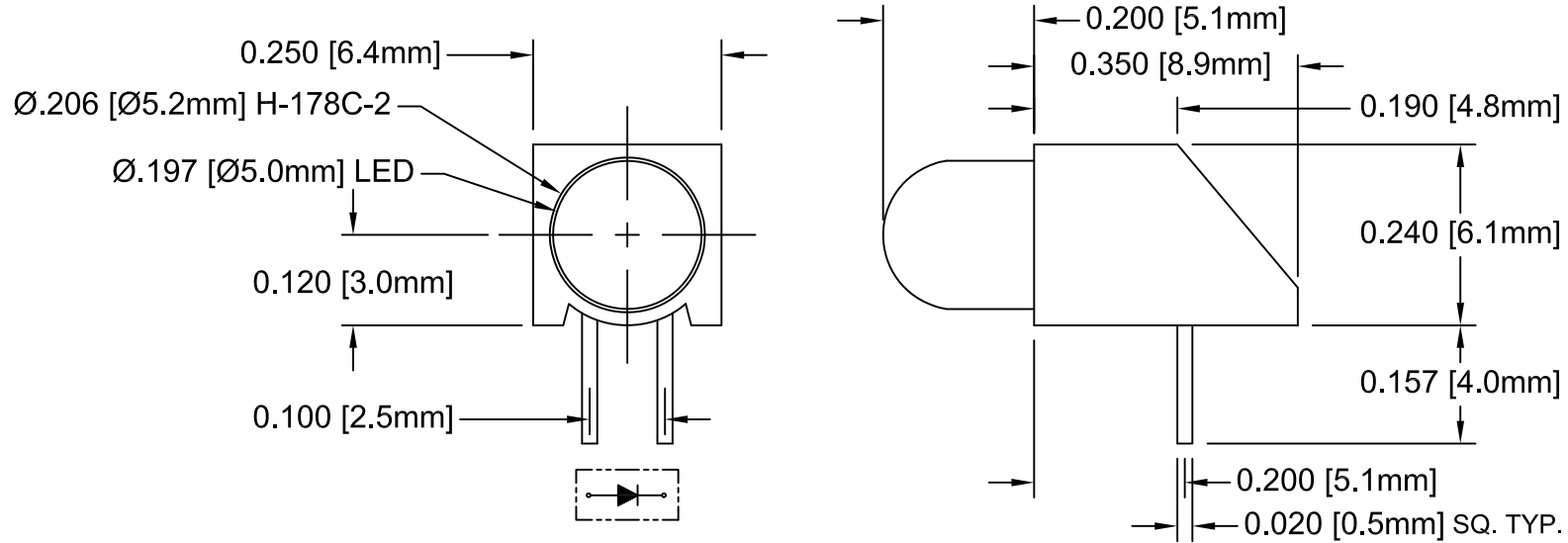



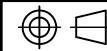
REV.	DESCRIPTION	DATE	APPROVED
D	Updated LED Protrusion from .215 to .200	01/09/07	M. C.
E	Corrected Typo	02/13/07	M. C.
F	Updated Specs, Page 2	02/10/09	T. Y.
G	Added 5UUYC LED	03/25/10	T. Y.
H	Engineering Update w/o Changes	06/20/16	J. C.
J	Updated per EOL NOTICE	11/13/19	A. V.
K	ECO-1073 Removed BOM	10/12/20	A. V.



ABSOLUTE MAXIMUM RATINGS (Ta=25° C)

REVERSE VOLTAGE	_____	5V
REVERSE CURRENT	_____	100uA
OPERATING TEMPERATURE RANGE	_____	-25° C - 85° C
STORAGE TEMPERATURE	_____	-30° C - 100° C
LEAD SOLDERING TEMPERATURE (1/16" FROM BODY)	_____	260° C FOR 5 SECONDS

CUSTOMER USE DRAWING

STANDARD TOLERANCE (UNLESS OTHERWISE SPECIFIED)		 4 THOMAS, IRVINE, CA. 92618 TEL: (949) 951-8808 FAX: (949) 951-3974	
DECIMALS	ANGULAR		
.X ± .1	X° ± 1°		
.XX ± .02		 TITLE: T-1 3/4 (5MM) 90° SINGLE-LEVEL LED ASSY	
.XXX ± .010			
DESIGNED: T. Yin	DATE: 03/05/04	DRAWING NO: H178CXX	REVISION: K
REVISED: V. Chavez	DATE: 10/12/20	SHEET SIZE: A	CAGE CODE: 32559
CHECKED: A. Valdez	DATE: 10/12/20	SCALE: NONE	SHEET # 1 OF 2
CAD GENERATED DOCUMENT, DO NOT MEASURE DRAWING			

REV.	DESCRIPTION	DATE	APPROVED
	SEE SHEET #1		

LED Assy. No.	Peak Wave Length λ_p (nm)	Emitted Color	Lens Appearance	Electro-Optical Data				Viewing Angle 2 Y 1/2 (Deg)	LED P/N
				If (mA)	Vf (V)		Iv (mcd)		
				TYP	TYP	MAX	TYP		
STANDARD				Data @ 20mA					
H178CBWD	430	BLUE	DIFFUSED	20	4.0	4.5	15	45	5BWD
H178CGD	568	GREEN	DIFFUSED	20	2.1	2.8	25	45	5GD
H178CYD	590	YELLOW	DIFFUSED	20	2.0	2.8	25	45	5YD
H178CSYD	590	YELLOW	DIFFUSED	20	2.0	2.4	300	45	5SYD
H178CAD	605	AMBER	DIFFUSED	20	2.0	2.8	25	45	5AD
H178CHD	625	HE RED	DIFFUSED	20	2.0	2.8	25	45	5HD
H178CRD	700	RED	DIFFUSED	20	2.1	2.8	2	45	5RD
H178CSR	645	RED	DIFFUSED	20	1.7	2.4	40	45	5SRD
LOW CURRENT				Data @ 2mA					
H178CGDL	568	GREEN	DIFFUSED	2	2.1	2.6	5	45	5GDL
H178CYDL	590	YELLOW	DIFFUSED	2	2.0	2.6	4	45	5YDL
H178CHDL	625	HE RED	DIFFUSED	2	2.0	2.6	5	45	5HDL

CUSTOMER USE DRAWING

		BIVAR[®]	
CAGE CODE	32559	DRAWING NO:	H178CXX
SHEET SIZE	A	REVISION:	K
		SCALE: NONE	SHEET # 2 OF 2
<small>CAD GENERATED DOCUMENT, DO NOT MEASURE DRAWING</small>			